

Philips Components

technical handbook

Book 4

Integrated circuits

Part IC05

Advanced Low-power Schottky (ALS) logic series

1989



PHILIPS

ADVANCED LOW-POWER SCHOTTKY (ALS) LOGIC SERIES

Preface	iii
Product status	iv
Contents	v
Introduction	vii
Ordering information	ix
Section 1 – Function Selection Guide	
Function Selection Guide	1-3
Section 2 – Quality and Reliability	
Quality and Reliability	2-3
Section 3 – Circuit Characteristics	
Circuit Characteristics	3-3
Section 4 – ALS Users' Guide	
Data Sheet Specification Guide	4-3
Design Considerations	4-11
Section 5 – 74ALS Series Data Sheets	
Index	5-1
Data Sheets	5-3
Section 6 – ALS Application Note	
Index	6-1
AN203 Test Fixtures for High-Speed Logic	6-3
Section 7 – Surface Mounted ICs	
Surface Mounted ICs	7-3
Section 8 – Package Outlines	
Index	8-1
Package Outlines	8-3

Signetics reserves the right to make changes, without notice, in the products, including circuits, standard cells, and/or software, described or contained herein in order to improve design and/or performance. Signetics assumes no responsibility or liability for the use of any of these products, conveys no license or title under any patent, copyright, or mask work right to these products, and makes no representations or warranties that these products are free from patent, copyright, or mask work right infringement, unless otherwise specified. Applications that are described herein for any of these products are for illustrative purposes only. Signetics makes no representation or warranty that such applications will be suitable for the specified use without further testing or modification.

LIFE SUPPORT APPLICATIONS

Signetics Products are not designed for use in life support appliances, devices, or systems where malfunction of a Signetics Product can reasonably be expected to result in a personal injury. Signetics customers using or selling Signetics' Products for use in such applications do so at their own risk and agree to fully indemnify Signetics for any damages resulting from such improper use or sale.

Signetics registers eligible circuits under
the Semiconductor Chip Protection Act.

© Copyright 1988 Signetics Company
a division of North American Philips Corporation

All rights reserved.

Preface

Signetics would like to thank you for your interest in our ALS Product Family. Advanced Low-Power Schottky (ALS) can provide a system designer with enhanced speed and power performance, improved system reliability, and pin-for-pin compatibility with existing LSTTL.

Each data sheet contained in this data manual is designed to stand alone and reflect the latest DC and AC specifications for a particular device. Each 74ALS product is specified over a 10% V_{cc} range, for both AC and DC parameters.

This data manual includes:

- A Function Selection Guide
- A Circuit Characteristics Section
- A Users' Guide
- An application note covering Test Fixtures for High-Speed Logic
- A section on Surface Mounted ICs
- A section on Package Outlines

In addition to ALS, Signetics offers the broadest line of commercially available Logic Products, spanning a wide speed/power spectrum from ECL (100K/10K) to TTL (74, 74LS, 74S, 74F, 8T and 8200) to CMOS (4000 Series, 74HC/HCT, 74AC/ACT). Information on these product lines is also available from your nearest Signetics Sales Office, sales representative, or authorized distributor.

Product Status

DEFINITIONS

Data Sheet Identification	Product Status	Definition
<i>Objective Specification</i>	Formative or In Design	This data sheet contains the design target or goal specifications for product development. Specifications may change in any manner without notice.
<i>Preliminary Specification</i>	Preproduction Product	This data sheet contains preliminary data and supplementary data will be published at a later date. Signetics reserves the right to make changes at any time without notice in order to improve design and supply the best possible product.
<i>Product Specification</i>	Full Production	This data sheet contains Final Specifications. Signetics reserves the right to make changes at any time without notice in order to improve design and supply the best possible product.

Contents

Preface	iii
Product Status	iv
Introduction	vii
Ordering Information	ix
Section 1 – Indices	
Function Selection Guide	1-3
Section 2 – Quality And Reliability	
Quality and Reliability	2-3
Section 3 – Circuit Characteristics	
Circuit Characteristics	3-3
Section 4 – ALS Users' Guide	
Data Sheet Specification Guide	4-3
Design Considerations	4-11
Section 5 – 74ALS Series Data Sheets	
74ALS00A Quad 2-Input NAND Gates	5-3
74ALS02 Quad 2-Input NOR Gates	5-6
74ALS04B Hex Inverters	5-9
74ALS08 Quad 2-Input AND Gates	5-12
74ALS10A Triple 3-Input NAND Gates	5-15
74ALS11A Triple 3-Input AND Gates	5-18
74ALS20A Dual 4-Input NAND Gates	5-21
74ALS27 Triple 3-Input NOR Gates	5-24
74ALS30A 8-Input NAND Gate	5-27
74ALS32 Quad 2-Input OR Gates	5-30
74ALS38A Quad Two-Input NAND Buffer (Open Collector)	5-33
74ALS74A Dual D-Type Flip-Flops with Set and Reset	5-36
74ALS86 Quad 2-Input Exclusive-Or Gates	5-41
74ALS109A Dual JK Positive Edge-Triggered Flip-Flops with Set and Reset	5-44
74ALS112A Dual JK Negative Edge-Triggered Flip-Flop	5-49
74ALS138 1-of-8 Decoder/Demultiplexer	5-54
74ALS139 Dual 1-of-4 Decoder/Demultiplexer	5-58
74ALS151 8-Input Multiplexer	5-62
74ALS153 Dual 4-Input Multiplexer	5-66
74ALS157/ Quad 2-Input Data Selector/Multiplexer, NINV	5-70
74ALS158 Quad 2-Input Data Selector/Multiplexer, INV	5-70
74ALS161B/ 4-Bit Binary Counter, Asynchronous Reset	5-74
74ALS163B 4-Bit Binary Counter, Synchronous Reset	5-74
74ALS164 8-Bit Serial-In Parallel-Out Shift Register	5-82
74ALS174 Hex D Flip-Flops	5-87
74ALS175 Quad D Flip-Flops	5-91
74ALS191 Up/Down Binary Counter with Reset and Ripple Clock	5-95
74ALS193 Synchronous Presettable 4-Bit Binary Counter with Separate Up/Down Clocks	5-101
74ALS240A/240A-1 Octal Inverter Buffer (3-State)	5-107
74ALS241A/241A-1 Octal Buffer (3-State)	5-111
74ALS244A/244A-1 Octal Buffer (3-State)	5-115

Contents

74ALS245A/245A-1	Octal Bus Transceivers (3-State)	5-119
74ALS251	8-Input Multiplexer (3-State)	5-123
74ALS253	Dual 4-Input Multiplexer (3-State)	5-128
74ALS257/	Quad 2-Input Data Selector/Multiplexer, NINV (3-State)	5-132
74ALS258	Quad 2-Input Data Selector/Multiplexer, INV (3-State)	5-132
74ALS273	Octal D Flip-Flop	5-137
74ALS373/	Octal Transparent Latch (3-State)	5-142
74ALS374	Octal D Flip-Flop (3-State)	5-142
74ALS377	Octal D Flip-Flop with Enable	5-149
74ALS543/543-1/	Octal Registered Transceiver, NINV (3-State)	5-154
74ALS544/544-1	Octal Registered Transceiver, INV (3-State)	5-154
74ALS563A/	Octal Transparent Latch, INV (3-State)	5-161
74ALS564A	Octal D Flip-Flop, INV (3-State)	5-161
74ALS573B/	Octal Transparent Latch (3-State)	5-168
74ALS574A	Octal D Flip-Flop (3-State)	5-168
74ALS620A/620A-1/	Octal Bus Transceiver, INV (3-State)	5-175
74ALS623A/623A-1	Octal Bus Transceiver, NINV (3-State)	5-175
74ALS645A/645A-1	Octal Bus Transceivers (3-State)	5-181
74ALS646/646-1/	Octal Transceiver/Register, NINV (3-State)	5-185
74ALS648/648-1	Octal Transceiver/Register, INV (3-State)	5-185
74ALS651/651-1/	Octal Transceiver/Register, INV (3-State)	5-192
74ALS652/652-1	Octal Transceiver/Register, NINV (3-State)	5-192
Section 6 - Test Fixtures for High-Speed Logic		
AN203		6-3
Section 7 - Surface Mounted ICs		
Surface Mounted ICs		7-3
Section 8 - Package Outlines		
Package Outlines for Plastic Packages		8-3
Package Outlines for Hermetic CERDIP		
D	Plastic Small Outline	
N	Plastic Standard Dual-In-Line	

74ALS TTL Introduction

ADVANCED LOW-POWER SCHOTTKY PRODUCTS

FEATURES

- 5ns propagation delays
- 1.2 mW/gate power dissipation
- **Guaranteed AC performance over temperature and extended V_{cc}**
Range: $5V \pm 10\%$
- High-impedance PNP base input structure for reduced bus loading in Low state
- Standard TTL functions and pin-outs
- Replacement for LS types are $\frac{1}{2}$ the power and twice the speed.
- 2KV ESD Protection

PRODUCT DESCRIPTION

Signetics has combined advanced oxide-isolated fabrication techniques with standard TTL functions to create its ALS product line. Low input loading allows the user to mix LS, FAST and HCMOS in the same system without the need for translators and restrictive fanout requirements.

ALS circuits are pin-for-pin replacements for LS types, but offer dissipation 2 to 3 times lower, and higher operating speeds. Existing systems can achieve much lower power and improved performance by replacing the LS types with the corresponding ALS devices.

The input structure provides better noise

immunity due to higher thresholds, while the oxide-isolation and new circuit techniques create devices that have less variation with temperature or supply voltage than existing TTL logic families. Signetics guarantees all AC parameters under realistic system conditions - across the supply voltage spread and the temperature range, and with heavy 50pF output loads.

Clamping diodes have been added to both the inputs and outputs to prevent negative overshoots. High input breakdown voltages allow unused inputs to be tied directly to V_{cc} without pull up resistors.

Multiple sources and a family of powerful circuits make Signetics ALS a wise TTL choice.

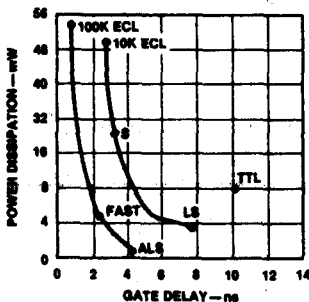


Figure 1. The Speed/Power Spectrum

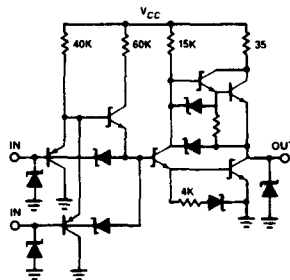


Figure 2. Basic ALS Gate

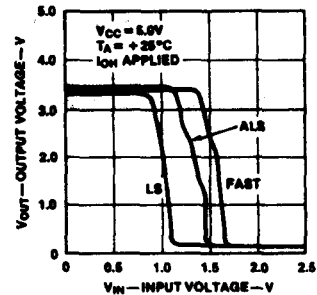


Figure 3. Transfer Functions At Room Temperature

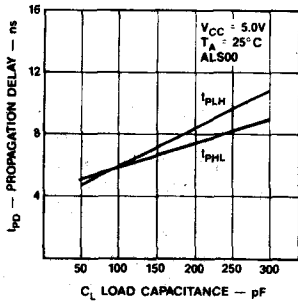


Figure 4. Propagation Delay VS Load Capacitance

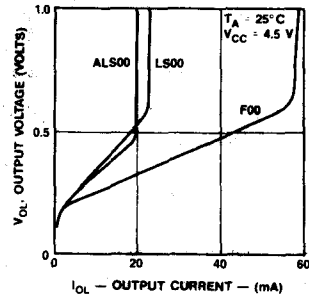


Figure 5. Output LOW Characteristics

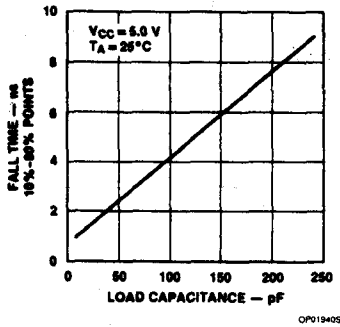


Figure 6. Fall Time VS Load Capacitance

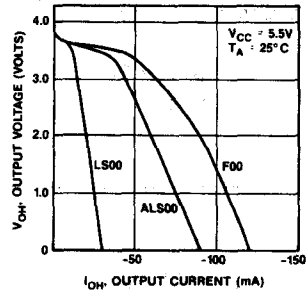


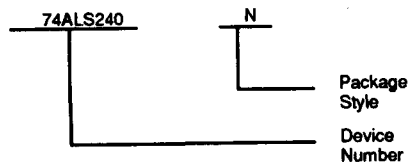
Figure 7. Output HIGH Characteristics

Ordering Information

Signetics commercial ALS products are generally available in both standard dual-in-line and surface mounted options. The ordering code specifies temperature range, device number, and package style as shown below. For commercial products, the standard temperature range is 0–70°C. Available package options are shown on individual data sheets in the "Ordering Information Table". For surface mounted devices, the SO plastic dual-in-line package is supplied up to and including 28 pins. Above 28 pins, the plastic leaded chip carrier is utilized.


A wide variety of functions and package options is available for military products. Information on military products is available from the nearest Signetics sales office, sales representative, or authorized distributor. The Signetics Military Products Data Manual contains specifications, Package, and Ordering Information for all military-grade products.

ORDERING CODE EXAMPLES



TEMPERATURE RANGE	DEVICE NUMBER	PACKAGE STYLE
Commercial Range 0°C to 70°C	74ALSXXX	N = Plastic DIP D = Plastic SO DIP (surface mounted) A = Plastic Leaded Chip Carrier
Military Range –55°C to 125°C	See Military Products Data Manual	





**Section 1
Function Selection
Guide**













Function Selection Guide

GATES

FUNCTION	DEVICE NUMBER	PINS
INVERTERS Hex Inverters	74ALS04B	14
NAND Quad 2-Input Triple 3-Input Dual 4-Input 8-Input Quad 2-Input NAND, OC	74ALS00A 74ALS10A 74ALS20A 74ALS20A 74ALS38A	14 14 14 14
NOR Quad 2-Input Triple 3-Input	74ALS02 74ALS27	14 14
AND Quad 2-Input Triple 3-Input	74ALS08 74ALS11A	14 14
OR Quad 2-Input	74ALS32	14
EXCLUSIVE-OR Quad 2-Input	74ALS86	14

FLIP-FLOP

FUNCTION	DEVICE NUMBER	PINS	CLOCK EDGE	INV	NINV
D	74ALS74A	14		X	X
JK	74ALS109A	16		X	X
JK	74ALS112A	16		X	X
Quad D	74ALS175	16		X	X
Hex D	74ALS174	16			X
Octal D	74ALS273	20			X
Octal D, with Enable	74ALS377	20			X
Octal D, 3-State	74ALS374	20			X
Octal D, 3-State	74ALS564A	20		X	
Octal D, 3-State	74ALS574A	20			X

Function Selection Guide

LATCHES

FUNCTION	DEVICE NUMBER	PINS	NINV	INV	3-STATE
Octal	74ALS373	20	X		X
8-Bit Transparent	74ALS563A	20		X	X
8-Bit Transparent	74ALS573B	20	X		X

MULTIPLEXERS/ENCODERS

FUNCTION	DEVICE NUMBER	PINS	NINV	INV	3-STATE
Dual 4-Input	74ALS153	16	X		
Dual 4-Input	74ALS253	16	X		
Quad 2-Input	74ALS157	14	X		
Quad 2-Input	74ALS158	14		X	
Quad 2-Input	74ALS257	16	X		X
Quad 2-Input	74ALS258	16		X	X
8-Input	74ALS151	16	X	X	
8-Input	74ALS251	16	X	X	X


DEMULTIPLEXERS/DECODERS

FUNCTION	DEVICE NUMBER	PINS
Dual 1-of-4	74ALS139	16
1-of-8	74ALS138	16

BUFFERS





FUNCTION	DEVICE NUMBER	PINS	NINV/INV	3-STATE OPEN COLLECTOR
Octal Buffer	74ALS240A/240A-1	20	INV	3-State
Octal Buffer	74ALS241A/241A-1	20	NINV	3-State
Octal Buffer	74ALS244A/244A-1	20	NINV	3-State

SHIFT REGISTERS

BITS	SERIAL IN	PARALLEL IN	SERIAL OUT	PARALLEL OUT	DEVICE NUMBER	CLOCK EDGE
8	X			X	74ALS164	

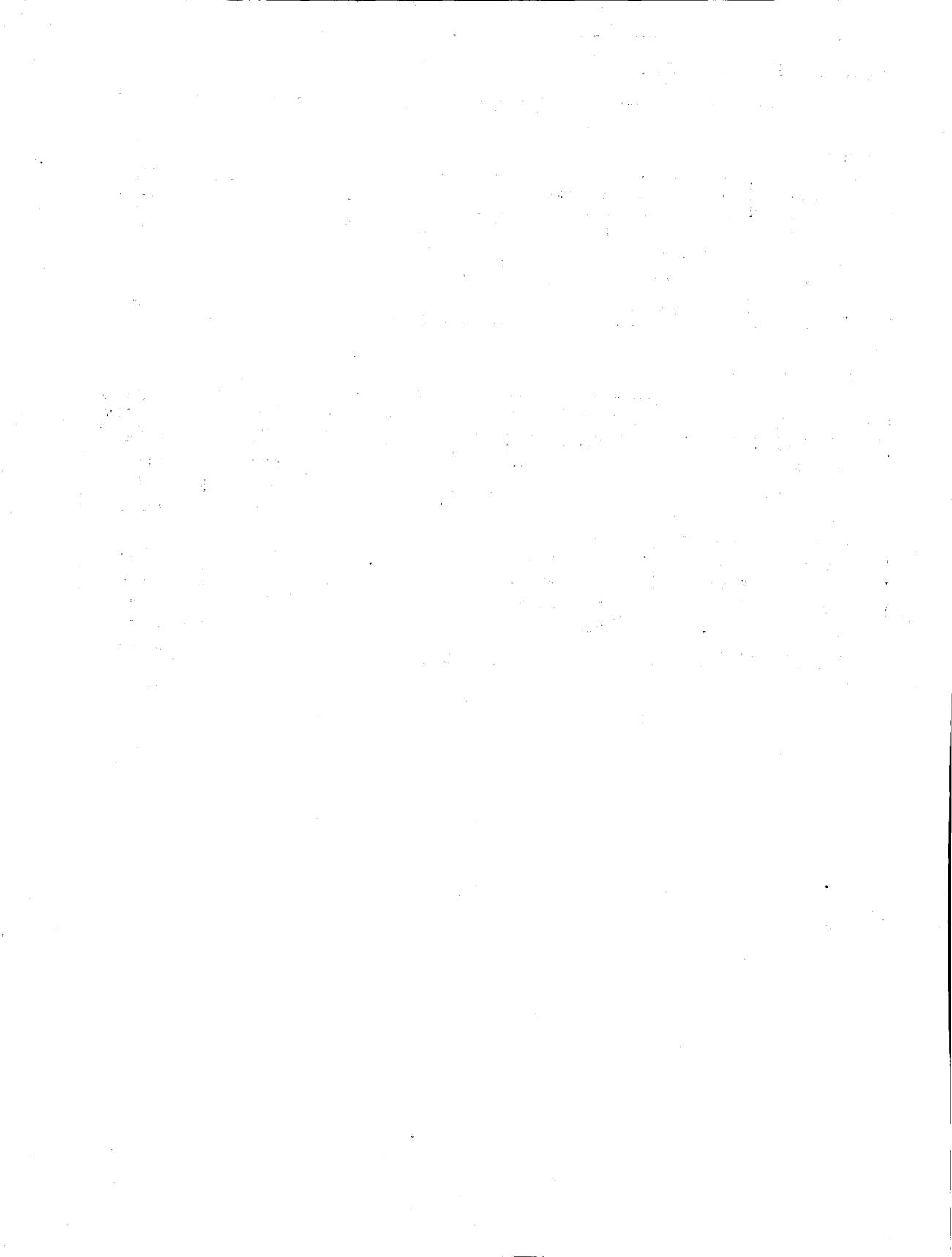
Function Selection Guide

COUNTERS

FUNCTION	DEVICE NUMBER	PINS	TYPE	PRESETTABLE	PARALLEL ENTRY	CLOCK EDGE
Synchronous	74ALS161B	16	BCD	X	S	
Synchronous	74ALS163B	16	BCD	X	S	
Up/Down	74ALS191	16	BCD	X	A	
Up/Down	74ALS193	16	BCD	X	A	

TRANSCEIVERS

FUNCTION	DEVICE NUMBER	PINS	NINV/INV	3-STATE OPEN COLLECTOR
Octal Transceiver	74ALS245A/245A-1	20	NINV	3-State
Octal Transceiver	74ALS645A/645A-1	20	NINV	3-State
Octal Transceiver	74ALS620A/620A-1	20	INV	3-State
Octal Transceiver	74ALS623A/623-1	20	NINV	3-State
Octal Latched Transceiver	74ALS543/543-1	24	NINV	3-State
Octal Latched Transceiver	74ALS544/544-1	24	INV	3-State
Octal Transceiver/Register	74ALS646/646-1	24	NINV	3-State
Octal Transceiver/Register	74ALS648/648-1	24	INV	3-State
Octal Transceiver/Register	74ALS651/651-1	24	INV	3-State
Octal Transceiver/Register	74ALS652/652-1	24	NINV	3-State





Section 2 Quality And Reliability



Quality And Reliability

SIGNETICS' QUALITY PROGRAM

In 1979, Signetics recognized that quality was becoming a major competitive issue, not only in the semiconductor business, but also in other industries. Increases in the volume of products imported from the Far East (steel, automobiles, and consumer electronics) sent strong signals that new competitive forces were at work.

Signetics quickly began to investigate a variety of quality programs. The company realized that quality improvement would require a contribution from all employees. Management commitment and participation, however, was recognized as the primary prerequisite for this program to work successfully. Resources required for the resolution of defects were under management control.

In 1980, Signetics developed a program which focused on quality management. Rearranging previous quality control philosophies, Signetics developed a decentralized, distributed quality organization and simultaneously installed a quality improvement process based on the 14-Step improvement program advocated by Phil Crosby. The process was formally begun company-wide in 1981.

Since then, substantial progress has been made in every aspect of Signetics' operations. From incoming raw material conformance to improvements in administrative clerical errors – every department and individual is involved and striving for Zero Defects. Zero Accept sampling plans and Zero Defects warranties are evidence of Signetics' ongoing commitment and progress in quality.

Today, Signetics' quality improvement process has had a far-reaching impact on all aspects of our business. Signetics provides its customers with products of refined electrical and mechanical quality. And through continual use and modification of the Crosby program, Signetics is providing itself with a well-defined method of managing ongoing improvement efforts.

SIGNETICS' ZERO DEFECTS WARRANTY

In recent years, American industry has demanded increased product quality of its IC suppliers in order to meet growing international competitive pressure. As a result of this quality focus, it is becoming clear that what was once thought to be unattainable – Zero Defects – is, in fact, achievable.

Signetics offers a Zero Defects Warranty which states that it will take back an entire lot if a single defective part is found. This precedent setting warranty has effectively ended the IC industry's "war of the AQLs" (Acceptable Quality Levels). The ongoing efforts of IC suppliers to reduce PPM (Parts Per Million) defect levels is now a competitive customer service measure.

This intense commitment to quality provides an advantage to today's electronics OEM. That advantage can be summed up in four words: *Reduced Cost of Ownership*

As IC customers look beyond purchase price to the total cost of doing business with a vendor, it is apparent that a quality-conscious supplier, like Signetics, represents a viable cost reduction resource. Consistent high-quality circuits reduce requirements for expensive test equipment and personnel, and allow for smaller inventories, less rework, and fewer field failures

SIGNETICS' STATISTICAL PROCESS CONTROL (SPC)

Although application of statistics in our process development and manufacturing activities goes back to the early 1970's, the corporate-wide emphasis on Statistical Process Control (SPC) did not come about until mid-1984.

Prior to 1984, 14 full-time statisticians were active in statistical training, problem solving, general consulting, and designing experiments. However, 1984 shifted the emphasis from a sporadic and uncoordinated effort to a corporate-wide coordinated and disciplined approach to SPC.

This shift in emphasis came about for two main reasons:

Customers' realization of importance and relevance of SPC to quality and reliability issues.

A natural evolution of our four year old quality process made introduction of SPC and other related programs an inevitable event. SPC was, therefore, introduced under the quality umbrella.

The objective of the SPC program is to introduce a systematic and scientific approach to business and manufacturing activities. This approach utilizes sound statistical theory. Managers are expected to be able to turn data into information, and make decisions solely based on data (not perceptions).

The most critical and challenging aspect of implementing SPC is establishment of a discipline within the operating areas so that decision making is fundamentally based on verifiable data, and actions are documented. The other is realization of the fact that statistical tools merely point out the problems and are not solutions by themselves. The burden of action on the process is still on the implementers' shoulders. In order to implement SPC effectively, three steps are continually followed:

Documenting and understanding the process, using process flow charts and component diagrams.

Establishing data collection systems, and using SPC tools to identify process problems and opportunities for improvement.

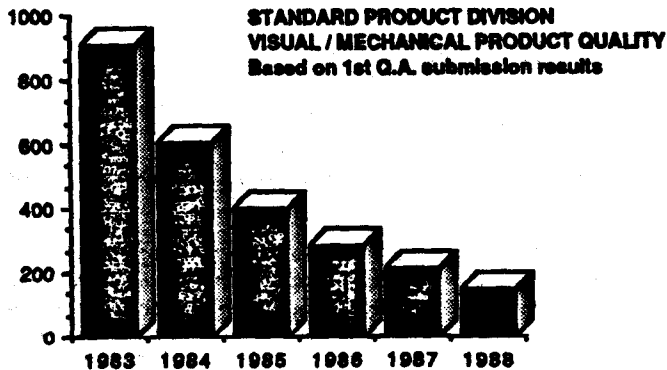
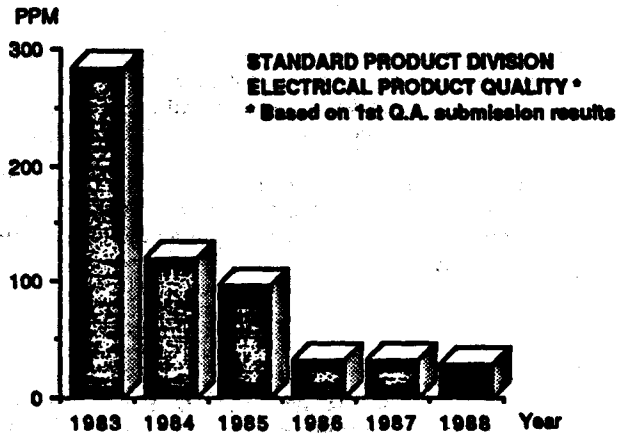
Acting on the process, and establishing guidelines to monitor and maintain process control.

Repeating steps 1-3 again.

These fundamentals are the basis of establishing Signetics' specifications and operating philosophy with respect to SPC. Signetics believes a solid foundation creates a permanent system and accelerates our quality improvement process.

SIGNETICS QUALITY PERFORMANCE

Signetics Quality Improvement Program has influenced our entire production cycle -- from the purchase of raw materials to the shipment of finished product. The involvement of all areas of the company has resulted in impressive quality improvements. A traditional quality gauge is final product electrical and visual-mechanical defect levels as measured upon first submittal results at Signetics outgoing Quality Assurance gates (Figures I and II). Current product shipments routinely record below 20 PPM (Parts Per Million) electrical defect levels and 150 PPM visual-mechanical defect levels. Since Signetics utilizes zero accept sampling on all finished product inspection, any lot with one or more rejects is 100 percent re-tested.



The most meaningful measure of our product quality is how we measure up to our customers' expectations. Many customers routinely send us incoming inspection data on our products. One major mainframe manufacturer has reported zero defects in electrical, visual-mechanical, and hermeticity and has reported a 100 percent lot acceptance rate on Signetics' Standard Products products for over a year. Due to this type of performance, an increasing number of our customers are eliminating expensive incoming inspection testing and have begun implementation of Signetics' Ship-to-Stock program.

SIGNETICS' SHIP-TO-STOCK PROGRAM

Ship-to-Stock is a formal program developed at the request of our customers to help them reduce their costs by eliminating incoming test and inspection. Through close work with these customers in our quality improvement program, they became confident that our defect rates were so low that the redundancy of incoming inspections and testing was not only expensive, but unnecessary. They also saw that added component handling increased the potential of causing defects.

Ship-to-Stock is a joint program between Signetics and a customer which formally certifies specific parts to go directly into the customer's assembly line or inventory. This program was developed at the request of several major manufacturers after they had worked with us and had a chance to experience the data exchange and joint corrective action occurring as part of our quality improvement program.

Manufacturers using large volumes of ICs, those who are evaluating Just-in-Time delivery programs, or those who want to reduce or avoid high-cost incoming inspection are strongly encouraged to participate in this worthwhile program. Contact your local Signetics' sales representative for further assistance and information on how to participate in this program.

SUMMARY

The Signetics Quality Improvement Program has had a far-reaching impact on all aspects of our business. It has, of course, provided our customers with products of improved electrical and mechanical quality and has provided Signetics with a method of managing product reliability improvement to ensure that Signetics' products continue to perform as specified.

The corrective action teams that work to eliminate the cause of defects in Signetics' products are committed to producing highly reliable integrated circuits and, as demonstrated by our continually improved product reliability performance, we are well on the way to achieving our objective, ZERO DEFECTS.

RELIABILITY ASSURANCE PROGRAMS

FOCUS ON PRODUCT RELIABILITY

During the period from 1981 to 1984, continuing improvements in process and material quality had a significant impact on product reliability.

Since 1984, Signetics has intensified its efforts to markedly improve product reliability. Corporate Reliability Engineering, Division and Plant Reliability Units, Philips Research Labs-Sunnyvale, and Manufacturing Engineering work jointly on numerous improvement activities. These focused activities enhance the reliability of Signetics future products by providing improved methods for reliability assessment, increased understanding of failure physics, advanced analytical techniques, and aid in the development of materials and processes.

RELIABILITY MEASUREMENT PROGRAMS

Signetics has developed comprehensive product and process qualification programs to assure that its customers are receiving highly reliable products for their critical applications. Additionally, ongoing reliability monitoring programs, SURE III and Product Monitor, sample standard production product on a regularly established basis (see Table I below).

Table I
Reliability Assurance Programs

<u>Reliability Function</u>	<u>Typical Stress</u>	<u>Frequency</u>
New Process Qualification	High Temperature Operating Life Biased Temperature-Humidity, Static High Temperature Storage Life Pressure Pot Temperature Cycle	Each new wafer fab process
New Product Qualification	High Temperature Operating Life Biased Temperature-Humidity, Static High Temperature Storage Life Pressure Pot Temperature Cycle Electrostatic Discharge Characterization	Each new product
SURE III	High Temperature Operating Life Biased Temperature-Humidity, Static High Temperature Storage Life Pressure Pot Temperature Cycle Thermal Shock	Each fab process family, every four weeks
Product Monitor	Pressure Pot Thermal Shock	Each package type and technology family at each assembly plant, every week

DESCRIPTION OF STRESSES

SHTL -- Static High Temperature Life: SHTL stressing applies static DC bias to the device. This has specific merit in detecting ionic contamination problems which require continuous uninterrupted bias to drive contaminants to the silicon surface. The voltage bias must be maintained until the devices are cooled down to room temperature from the elevated life test temperature. DHTL stressing is not as effective in detecting such problems because the bias continuously changes, intermittently generating and healing the problem. For this reason, SHTL has typically been used as the accelerated life stress for Standard Products products.

HTSL -- High Temperature Storage Life: This stress exposes the parts to elevated temperatures (150°C-175°C) with no applied bias. For plastic packages, 175°C is the high end of its safe temperature region without accelerating untypical failure mechanisms. This test is intended to accelerate mechanical package-related failure mechanisms such as Gold-Aluminum bond integrity and other process instabilities.

THBS -- Biased Temperature-Humidity, Static: This accelerated temperature and humidity bias stress is performed at 85°C and 85% relative humidity (85°C/85% RH). In general, the worst case bias condition is the one which minimizes the device power dissipation and maximizes the applied voltage. Higher power dissipations tend to lower the humidity level at the chip surface and lessen the corrosion susceptibility.

TMCL - Temperature Cycling, Air-to-Air: The device is cycled between the specified upper and lower temperature without power in an air or nitrogen environment. Normal temperature extremes are -65°C and +150°C with a minimum 10 minute dwell and 5 minute transition per Mil-STD-883C, Method 1010.5, Condition C. This is a good test to measure the overall package to die mechanical compatibility, because the thermal expansion coefficients of the plastic are normally very much higher than those of the die and leadframe. However, for large die the stress may be too severe and induce failures that would not be expected in a real application.

PPOT - Pressure Pot: This stress exposes the devices to saturated steam at elevated temperature and pressure. The standard condition is 20 PSIG which occurs at a temperature of 127°C and 100% RH. The stress is used to test the moisture resistance of plastic encapsulated devices. The plastic encapsulant is not a moisture barrier and will saturate with moisture within 72 hours. Since the chip is not powered up the chip temperature and relative humidity will be the same as the autoclave once equilibrium is reached. Because the steam environment has an unlimited supply of moisture and ample temperature to catalyze thermally activated events, it is effective at detecting corrosion problems, contamination induced leakage problems, and general glassivation stability and integrity. It is also a good test for both package integrity (cracks in the package), and for die cracks (the moisture swells the plastic enough to stress the die - also the moisture causes leakage paths in the crack itself).

TMSK - Thermal Shock, Liquid-to-Liquid: Similar to TMCL, however, heating and cooling are done by immersing the units in hot and cold inert liquid. Temperature extremes are -65°C to +150°C with a minimum 5 minute dwell and less than 10 second transition per Mil-STD-883C, Method 1011.4, Condition C. Since heat transfer by conduction is generally much faster than by convection, the liquid-based thermal shock causes more rapid temperature changes in the part. Also, as the part is rapidly changing in temperature all its mass will not be in equilibrium and the temperature gradients across the part will produce additional mechanical stress. For chip-out under bond these factors combine to give an acceleration of 1.5X over TMCL. For ball neck break (wire creep) failures, acceleration of 10X has been observed. To date, there is no reasonable explanation for why the relative accelerations in TMCL and TMSK are so variable and dependent on the failure mechanism.

PRODUCT AND PROCESS QUALIFICATIONS

Qualification activity is centered around new products and processes and changes in products and processes. The goal is to assure that the products can meet the qualification requirements prior to general release, and on an ongoing basis to demonstrate conformance to those requirements. The nature and extent of reliability stressing required depends on the type of change and the amount of applicable reliability data available.

A full qualification may include Early Failure Rate (EFR), Intrinsic Failure Rate (IFR), and Environmental Endurance Stressing. Such stress plans are reserved for introductions or changes that involve new or untested material or processes and, as such should be subjected to the maximum reliability interrogation. This normally entails a full range of biased and unbiased temperature and humidity stresses along with thermo-mechanical stresses.

For changes that are of limited scope, the full range of qualification stressing may not be warranted. In these instances, the nature and extent of the change is examined and only those stresses which provide a valuable measure of the change, or those which will detect potential weaknesses, are performed.

SIGNETICS' SELF-QUAL PROGRAM (SSOP)

Self-Qual is a joint program between Signetics and a customer which formally communicates Signetics' qualification activities for a new or changed product, process, or material. The Signetics Self-Qual process provides our customer's engineering groups an opportunity to participate in the development of the qualification plan. During the qualification process, customers may audit the project, and can receive interim updates of qualification progress. Upon completion, formal detailed engineering reports are provided.

The major impact to the customer comes from the reduced workload on the component engineering and qualification groups. These engineering resources generally divide their time between routine qualification activity and problem resolution on critical components. By eliminating the need to perform qualification for some of the basic vendor changes the customer component engineer can spend more of his time resolving the critical product issues. In addition, the total amount of stress hardware needed to perform qualification life tests and other environmental evaluations can be reduced, saving the customer facility costs and reducing operating expense.

Self-Qual is a no-risk proposition for the customer. Each Self-Qual proposal provides a detailed description of what we are changing and why. It includes a detailed plan of what we intend to do to establish the reliability of the products affected. If the customer wishes to have products added to the plan, or select some additional stresses, or prefers alternative stress conditions, Signetics will do everything possible to accommodate those requests. After that, if the customer is still uncomfortable with the recommended change, they are under no obligation to accept our data, and they may perform their own qualification program in addition to Signetics.

Customers who are interested in participating in this program should contact their local Signetics sales representative or Signetics' Corporate Reliability Engineering department directly.

SURE III RELIABILITY MONITORING PROGRAM

In order to implement an improvement program, a standard measure of performance was needed. Signetics uses the results from the SURE III Reliability Monitoring Program as its basic ongoing measure of product reliability performance. This program samples all generic families of products manufactured by Signetics, and utilizes standardized stress methods and test procedures. This system is augmented by new product and process qualification activities and infant mortality monitoring programs.

Signetics adopted a measurement philosophy based on the premise of continual improvement toward our performance standard of zero defects.

We also increased our standard Pressure Pot stress conditions from 15 PSIG/121°C to 20 PSIG/127°C. This reduced stress duration from 168 hours to 72 hours, and increased high volume sampling, which increased sensitivity to low defect levels.

Our standard monitoring program, SURE III, includes the following stress conditions:

High Temperature Operating Life: (SHTL) $T_j \geq 150^\circ\text{C}$, $T_a = 125^\circ\text{C}$ to 150°C , Bias condition = Static, $V_{cc} = \text{MAX}^*$, Duration = 1000 Hours

High Temperature Storage Life: (HTSL) $T_a = 150^\circ\text{C}$, No Bias, Duration = 1000 Hours

Static Biased Temperature-Humidity: (THBS) Temperature = $85^\circ\text{C} \pm 3^\circ\text{C}$, Humidity = 85% RH $\pm 5\%$, Bias condition = Static, $V_{cc} = \text{MAX}^*$, Duration = 1000 Hours

Temperature Cycle: (TMCL) Condition = Air-to-Air -65°C ($+0^\circ\text{C}$ -10°C) to $+150^\circ\text{C}$ ($+10^\circ\text{C}$ -0°C), Dwell = 10 minutes minimum each extreme, No bias, Duration = 1000 Cycles (plastic); Cycles (hermetic)

Pressure Pot: Condition = 127°C ($+2^\circ\text{C}$ -2°C), 20 PSIG ($+0.5$ -0.5 PSIG), (PPOT) 100% saturated steam, No bias, Duration = 72 Hours

Thermal Shock: (TMSK) Condition = Liquid-to-Liquid -65°C ($+0^\circ\text{C}$ -10°C) to 150°C ($+10^\circ\text{C}$ -0°C), Dwell = 5 minutes minimum each extreme, No bias

NOTE:

* $V_{cc} \text{ MAX}$ is generally = Data Book Maximum Specified V_{cc} .

PRODUCT MONITOR

In addition to the SURE III program, each Signetics assembly plant performs Pressure Pot (20 PSIG, 127°C, 72 Hours) and Thermal Shock (-65°C to +150°C, 300 Cycles) reliability monitors on a weekly basis for each molded package type by pin count. The purpose of this program is to monitor the consistency of the assembly operations for such attributes as molding quality and die attach and wire bond integrity. These data are reported back to manufacturing operations and corporate and divisional reliability and quality assurance departments by electronic mail each week. The data from the weekly product monitor is summarized along with the SURE III program reliability data in this publication.

RELIABILITY EVALUATIONS

In addition to the product performance monitors encompassed in the SURE III program, Signetics' Corporate and Division Reliability Engineering departments sustain a broad range of evaluation and qualification activities.

Included in the engineering process are:

Evaluation and qualification of new or changed materials, assembly/wafer-fab processes and equipment, product designs, facilities, and subcontractors.

Device or generic group failure rate studies.

Advanced environmental stress development.

Failure mechanism characterization and corrective action/prevention reporting.

The environmental stresses utilized in the engineering programs are similar to those utilized for the SURE III program, however, more highly-accelerated conditions and extended durations typify these engineering projects. Additional stress systems such as biased pressure pot, power-temperature cycling, and cycle-biased temperature-humidity, are often included in some evaluation programs.

STRESS FACILITY QUALITY

Signetics quality improvement has reached all functional areas of the company, and the reliability stress laboratories are no exception. Corporate Reliability Laboratory (CRL) is one of the many areas where the benefits of the quality improvement process pays repeated dividends.

CRL utilizes stresses which accelerate failure rates hundreds to thousands of times, requiring precision and control to make reliability data meaningful. Stress loading schedules are maintained with absolute regularity and chambers are never off-line beyond scheduled loading plans. Board currents are recorded prior to and at each interval on biased stresses, and monitoring of in-oven currents is conducted daily.

Thermal modeling of both Thermal Shock and Temperature Cycling systems has been accomplished and all loads are carefully weighed to ensure that thermal ramps are consistent.

Pressure Pot and Biased Pressure Pot systems utilize microprocessor controllers, and are accurate to within 0.1 degree centigrade. Saturation is guaranteed via automatic timing circuits, and a host of fail-safe controls ensure that test groups are never damaged.

Electrostatic discharge (ESD) handling precautions are standard procedures in the laboratories, and the occurrences of devices lost, zapped, or overstressed have become almost non-existent.



RELIABILITY IMPROVEMENT PROGRAMS

Currently, Signetics is involved in a number of reliability improvement programs intended to enhance product reliability performance. A series of activities are currently addressing failure rate reduction in thermal cycling stresses, particularly on large die. Other reliability improvement programs involve the use of Silicon Nitride and other technologically advanced passivation systems to increase the high humidity resistance of sensitive products.

Reducing early life failures has become a major focus at Signetics. Numerous corrective action teams are in the process of establishing high volume monitors capable of accurately describing parts per million (PPM) level infant failure rates. From data produced via these monitors, improvement in wafer fabrication process and assembly process technologies are developed to minimize integrated circuit defect levels.

RELIABILITY PUBLICATIONS

Data from all of these activities is made available to all Signetics customers in a variety of publications:

PRODUCT RELIABILITY SUMMARIES and QUARTERLY UPDATES

Yearly, each Product Division's SURE III monitoring data is summarized and published in a Product Reliability Summary. Quarterly, an update is published for the data accumulated during interim periods.

SSQP - SIGNETICS SELF-QUAL PROGRAM

In addition to the regular publications of reliability monitor results, a special program for the publication of qualification proposals and final engineering reports has been in place since January of 1984.

SMD RELIABILITY

In support of Signetics' leadership in Surface Mount Device (SMD) technology, we have published indepth studies and evaluations on the reliability of numerous combinations of SMD packages and IC process technologies. These reports cover not only the basic product performance, but also evaluate products after exposure to the unique environments created by the various SMD soldering and cleaning processes.

SPECIAL RELIABILITY REPORTS

In addition to our standard reports, special reliability evaluation results are available on a wide variety of Signetics' products and processes. Custom reports can be generated to meet specific customer needs and the most accurate failure rate estimates can be prepared for your specific system application and environment.

DATA AVAILABILITY

The previously referenced documents are available to all Signetics customers. Many are available in your local Signetics sales office, or:

Corporate Reliability Services
Reliability Publications Group
Department 9605, Mail Stop #34
Arques Avenue
Box 3409
Sunnyvale, CA 94088-3409

where you can be placed on a standard mailing list for all documentation which meet your specific requirement(s).

SIGNETICS' MANUFACTURING FACILITIES

Signetics, as part of a multinational corporation, utilizes manufacturing facilities for wafer fabrication, package assembly, and test in three states and three overseas countries as shown in Table XII. All wafer fabrication is performed in Signetics operated fabs which report to the Vice President of Die Manufacturing Operations (DMO) in Sunnyvale. Similarly, Signetics Assembly operations in Utah, Korea, and Thailand, report to the Vice President of Assembly Manufacturing Operations (AMO). Assembly subcontractors, Pebei and Anam, are scheduled and controlled through the AMO organization. Assembly subcontractors process all product to Signetics' specifications and materials. Signetics has on-site quality assurance personnel at each subcontractor to audit assembly processes and procedures.

All Signetics products are electrically tested in Signetics operated facilities. These facilities report to the manufacturing organization (DMO or AMO) operating the facility at which they are located.

Table V
Signetics' Product Manufacturing Facilities

WAFER FABRICATION FACILITIES		
Designation	Location	Process Families
Fab 01	Sunnyvale, California	Bipolar Junction Isolated
Fab 09	Orem, Utah	Bipolar Gold Doped
Fab 16	Sunnyvale, California	Oxide Isolated
Fab 21	Orem, Utah	Bipolar Schottky
Fab 22	Albuquerque, New Mexico	ACMOS

ASSEMBLY FACILITIES		
Designation	Location	Package
SigKor	Seoul, Korea	DIP, SO, and PLCC
SigThai	Bangkok, Thailand	DIP and Cerdip
Orem	Orem, Utah	Military "Jan" Hermetic
Pebei	Kaohsiung, Taiwan	SO
Anam	Seoul, Korea	SO and Metal Can

TEST FACILITIES		
Designation	Location	Package
TA03	Sunnyvale, California	Wafer Sort, Final Test and Quality Assurance
SigKor	Seoul, Korea	Final Test and Quality Assurance
SigThai	Bangkok, Thailand	Final Test and Quality Assurance
Sacto	Sacramento, California	Military Final Test and Quality Assurance

TYPICAL IC MANUFACTURING FLOW

The manufacturing process for Integrated Circuits begins with wafer fabrication. The wafers are then electrically sorted, assembled, and tested prior to customer shipment. Quality assurance inspections are utilized throughout the manufacturing process. Table VI contains a typical manufacturing flow for Signetics' ICs.

Table VI

Typical I.C. Manufacturing Flow For Bipolar Junction Isolated Product


Wafer Fab:	Initial Oxidation Buried Layer Diffusion Epitaxial Layer Isolation Diffusion Base Diffusion Emitter Diffusion Contact Mask Metallization #1 Dielectric Glass Layer Metallization #2 Nitride Passivation
Wafer Sort:	Wafer Electrical Test Wafer Visual Acceptance
Assembly:	Saw Scribe and Break Die Sort Visual Acceptance Die Attach to Leadframe Wire Bonding Pre-Seal Visual Acceptance Encapsulation Topside Symbolization Leadframe Trim and Form Solder Coat Mechanical/Visual Acceptance
Test:	Final Electrical Test Burn-In (Optional) Product Assurance Test
Shipping:	Pack-Out Outgoing Quality Control Acceptance Shipping

Package Construction

	<u>PDIP</u>	<u>SO/PLCC</u>	<u>CERDIP</u>
Lead Frame	Copper, 194 Alloy	Copper, 194 or PMC102	Alloy-42
Lead Finish	Tin/Lead Solder Dip or Tin/Lead	Tin/Lead Solder Dip (60/40) Solder Plate (80/20)	Tin/Lead Solder Dip
Bond Area Finish	Silver Spot	Silver Spot	Silver Spot
Die Attach	Silver Filled Polyimide or Thermoplastic	Silver Filled Polyimide or Thermoplastic	Silver Filled Glass
Bond Wire	Gold, 1.0-1.3 mil. Diameter	Gold, 1.0-1.3 mil. Diameter	Aluminum, 1.0 mil. Diameter
Wire Bonding Die Leadframe	Thermosonic Ball Stitch	Thermosonic Ball Stitch	Ultrasonic Stitch Stitch
Package Material	Novolac Epoxy	Novolac Epoxy	Ceramic

Package Code Definitions

Pin Count	<u>PDIP</u>	<u>SO</u>	<u>PLCC</u>	<u>CERDIP</u>
NE	DE	----	FE	
NH	DH	----	FH	
NJ	DJ	----	FJ	
NK	----	----	FK	
NL	DL	AL	FL	
NM	----	----	FM	
NN	DN	----	FN	
NQ	----	AQ	FQ	
----	----	AA	----	



Section 3 Circuit Characteristics



Circuit Characteristics

INPUT STRUCTURES

There are two types of input structures used in ALS circuits: diffusion diode and PNP vertical transistor. Each of these are discussed below.

The diffusion diode input is used occasionally with ALS circuits. The input diode is labeled as D1 in Figure 1. There can be more than one if NAND logic is to be performed. In the oxide-isolated processes these are base-collector diffusions. Each input pin also has a Schottky clamp diode D2. This diode is standard for most TTL circuits, and is included to limit negative input voltage excursions that are generally the result of inductive under-shoot.

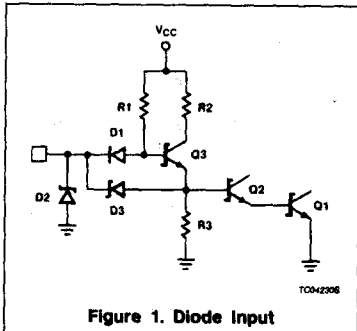


Figure 1. Diode Input

The static diode input function of voltage versus current is shown in Figure 2. If the pin voltage is negative, most of the relatively high negative current flows through the clamp Schottky D2. At 0V the current flows from V_{CC} through R1 and D1 to the pin. Switching from a logic Low level to a logic High level occurs when the input pin voltage rises high enough to force the current from the D1 path to the Q3 - Q2 - Q1 path. This happens when the base voltage of transistor Q3 is at three base-emitter drops (3V_{BE}), and the pin is at 2V_{BE}, which is the standard ALS threshold switching voltage. At this voltage the input current is very small, just the leakage currents of diodes D1, D3, and clamp diode D2. The current remains at this small, positive value until breakdown voltage is reached.

Transistor Q3 and resistor R2 provide a current gain by increasing the amount of current available to Q2 and Q1 when the pin voltage is high. R3 bleeds current off the base of Q2 to pull it low when the pin voltage is low. D3 speeds up this process during the

High-to-Low pin transition. When the switching transients are over, D3 is reverse biased.

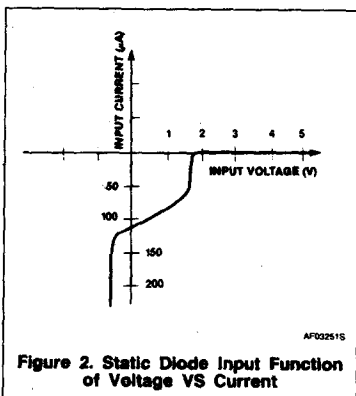


Figure 2. Static Diode Input Function of Voltage VS Current

The current of Figure 2 is scaled for the case where the pin is required to pull down a single 40K Ω resistor R1 (20 μ A maximum in the High state and 0.2mA maximum in the Low state). For some parts, pin current can be higher, especially in the logic Low state. This increase will happen if the pin must sink the current from more than one R1 resistor, or if the value of R1 is less than 40K Ω , which will be the case if the capacitance at the base of the transistor Q3 is too large for the required switching speed.

The PNP vertical transistor has found wide acceptance in its various forms in low power Schottky logic because it provides a high-impedance input which is usually desirable. It is now frequently the input of choice for new parts built with improved processes. The PNP transistor Q3 is fabricated with the P-type substrate as the grounded collector, the N-type Epi as the base, and the P-type normal base diffusion as the emitter. The process must be tailored to provide a suitable current gain for this vertical structure and must have provision to remove the considerable substrate current without an appreciable rise in substrate voltage. Referring to Figure 3, Q3 functions as an emitter follower for pin voltages low enough to provide an emitter-base forward bias. This occurs at an emitter voltage below the 3V_{BE} value provided by the D3 - Q2 - Q1 stack, and gives the desired 2V_{BE} pin threshold. At pin voltages above this value, Q3 turns off and the current through R1 is directed to Q2 - Q1 through D3. The Schottky diode D2 speeds up the High to

Low transition if the pin voltage falls more rapidly than the base of Q2; otherwise, D2 is off. The PNP input characteristics are shown in Figure 4. If the input voltage is negative with respect to ground, a large clamp current flows through D1. As the voltage rises, D1 turns off and the input current falls to the base current of Q3; for the usual values of R1, this is in the range of about 3 μ A. This decreases as the lead voltage rises. At threshold, Q3 turns off and the input current drops to a low value determined by the leakage of D1, D2, and Q3. The current remains at this low value until the onset of breakdown. Since all PNP inputs are protected with ESD structures, the breakdown current is set by this, and not the actual PNP device.

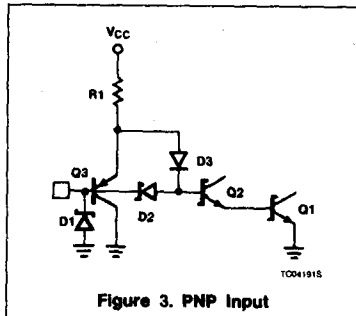


Figure 3. PNP Input

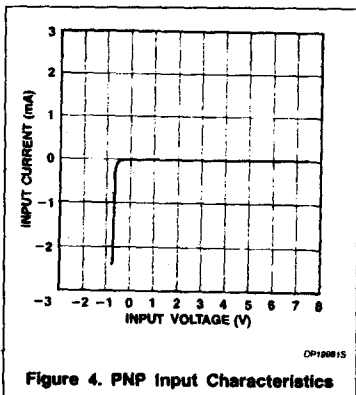


Figure 4. PNP Input Characteristics

INPUT CONSIDERATIONS

Static Input Current

A comparison of input current for various input voltage ranges for both types of inputs is shown in Figure 8.

Circuit Characteristics

Diode inputs supply current to their drivers that may be as large as 200 μ A at V_{IN} of 0.5V for a single unit load input. Signetics ALS parts are designed to have input current less than 20 μ A over the full switching range from 0V to V_{CC} . Typical PNP input current is less than 10 μ A below threshold voltage and 1 μ A above threshold.

Input Capacitance

Input capacitance, measured using a small-signal variation about a static DC operating point, is low for ALS inputs. When one includes the added capacitance of the elements common to each input, such as the pin, pad, bond wire, and clamp Schottky diode, the percentage difference for total static input capacitance for either type of input is not very large.

Dynamic Input Current

In many applications the total current an input pin draws during a switching transition is a more important consideration than its input capacitance. This dynamic input current is often larger than the value of static capacitance would predict because both types of input structures normally include some sort of speed-up mechanism, usually a "kicker" Schottky diode, connected to an internal node of the circuit. The kickers deliver current, related in a non-linear way to input edge-rates. High-dynamic input current does not always equate to fast circuit switching. The percentage differences for dynamic current tend to be larger than the respective differences for static capacitance.

Switching Threshold Voltage

The ALS input switching threshold voltage is set quite high for TTL at two base-emitter junction forward-bias drops. ALS input structures have enough gain that the voltage range in which they switch from one state to the other, as shown by a static DC transfer function curve, is completed within about 100mV of the $2V_{BE}$ threshold. For a typical part at room temperature, V_{BE} is about 800mV, and the switching threshold is nominally at 1.6V; the static transfer range uncertainty of about 100mV gives a nominal threshold for solid Lows and Highs of about 1.55V and 1.65V respectively. The ALS threshold voltage was chosen higher than other TTL families to give a larger noise margin with respect to ground, and to be more nearly centered in the region where a ALS output driver stage switches with maximum edge rates, which occurs between about 0.6V and 2.6V.

Because the ALS threshold is set by the base-emitter junction voltage, it is dependent on junction temperature and current density. V_{BE} increases by about 1.2mV for each degree C drop in junction temperature; current density changes by about a decade for a

INPUT VOLTAGE RANGE	INPUT CURRENT	
	Diode	PNP
Below Ground	Schottky Clamp	Schottky Clamp
Ground to V_T	High (to 200 μ A)	Low (to 20 μ A)
V_T to V_{CC}	Leakage	Leakage
Above V_{CC}	Leakage	Leakage

Figure 5. Input Current for Input Voltage Ranges

60mV change in V_{BE} . The total variation due to processing differences, temperature, and current density is about 150mV per junction, or 300mV total change in input threshold to give limits of 1.25V Low and 1.95V High. The ALS V_{IL} and V_{IH} limits are 0.8V and 2.0V respectively, a tight spec for V_{IH} .

ELECTRO-STATIC DISCHARGE (ESD) CONSIDERATIONS

It is universally true that no bipolar integrated circuit process can provide devices with such high breakdown voltages that they are able to withstand any level of ESD without some structure punching through or breaking down. The necessary condition for survival when this occurs is that the energy dissipation in any volume of the chip must be kept low enough so that neither the silicon nor the interconnecting metal can melt. This can be accomplished in two ways: the breakdown voltage should be as low as practical, consistent with normal circuit operation, and the energy should be dissipated in as large a volume as is possible. Circuit components that are particularly sensitive to charge damage must be protected by structures that are less fragile. All Signetics ALS parts are designed with these requirements in mind, and although, as a rule of thumb, a sophisticated oxide isolated process used to fabricate these parts tends to be more ESD damage-prone than a junction isolated process, ALS is as rugged as other TTL families in general. If ALS parts are handled with the same care afforded any other high-technology parts, they will not be damaged.

ESD sources usually fit into one of two categories: people or other objects that have accumulated static charge and touch the parts; or, they generate their own charge, as is the case when a circuit makes sliding contact with an insulator. In the first instance, static voltages tend to be high, over 10000V, and discharge is usually limited by relatively high series resistance. In the second case, voltages are lower, around 200V, but there is very little series resistance to limit discharge current. Both possibilities are simulated with discharge models that are used in the majority of the test setups, and parts are designed

in a way to improve survival for both ESD conditions.

Experience has shown that inputs of TTL circuits are much more likely to suffer ESD damage than outputs. Since negative voltages are discharged through clamp ground diodes with low chip dissipation, only voltages positive with respect to substrate ground are apt to produce input damage.

PNP and diode inputs have a positive voltage breakdown in the relatively high range of from 15V to 25V. Schottky diodes connected to an input pin usually break down before junction diodes, and if they are stressed beyond their limits the Schottky diodes usually sustain damage in the corners. A diffusion guard-ring around the diode increases the uniformity of the breakdown, and as a result maximizes the dissipation volume at breakdown and increases the ability of the device to survive ESD. All Signetics ALS circuits have guard-rings on Schottky diodes that connect to input or output pins.

Signetics ALS parts also have specific ESD structures included which protect up to 2000V for the standard resistance limited case—the human body model.

FLOATING INPUTS

ALS inputs should not be allowed to float. All unused inputs, even those on unused gates, should be tied to a voltage source of relatively low impedance that will get them out of the logic picture and out of trouble. For a Low input this can be ground, or the output of a permanently low driver. For a High input this can be V_{CC} , protected by a series resistor if circuit damaging voltage spikes are possible in the system, or a permanently high driver.

Properly tied High or Low inputs will not pick up enough spurious noise to cause problems. If they are allowed to float, the results can be disastrous. Floating diode inputs usually pull to within a few mv of $3V_{BE}$ above ground, a V_{BE} above threshold. The input voltage will fall about 1V per 0.1mA of current that is capacitively coupled from an adjacent Low-going pin. Since pin-to-pin input capacitance is in the order of one pF for an IC in a PC environment, an adjacent pin falling at 1.0V/

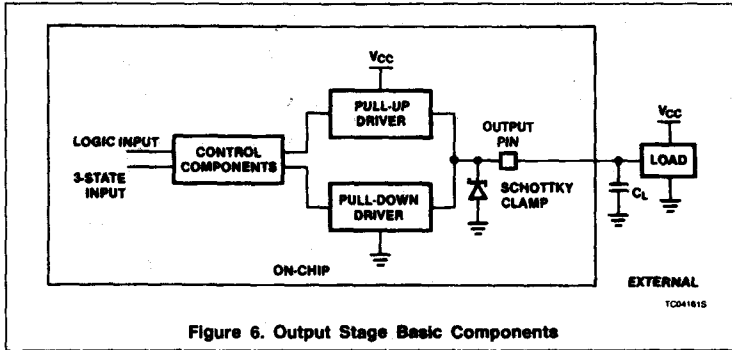


Figure 6. Output Stage Basic Components

ns couples in about 1.0mA of current, enough to switch the input to a Low state for as long as the current lasts. The normal ALS circuit response will be to switch or oscillate. The problem is worse for high-impedance low-capacitance PNP inputs than for Diode inputs. In this case the static voltage to which they float is determined in part by leakage, and is not predictable.

To reiterate, ALS inputs must not be allowed to float. To do so is to invite serious system problems.

OUTPUT CONSIDERATIONS

The purpose of the output stage is to supply current to a load to force it to a High state or to sink current from the load to force it to a Low state. The speed at which the load can be switched from one state to the other depends on how much supply current or sink current is available from the output driver. There must be an amount in excess of that which is required to maintain the static load voltage, and it is the excess current that is available to charge or discharge the load capacitance. Most ALS circuits are designed to fit into one of these categories, based on output drive capability; the normal output stage, the buffer driver which can supply

approximately twice as much current, and the high current drivers designed to drive low-impedance terminations.

Both normal drivers and buffers may be 3-State, which means that, in addition to Low and High states, they can be forced to a high-impedance OFF state as a third possible choice. This allows multiple components to be connected to a bus simultaneously, with only the single-selected device providing actual drive capability.

The basic components of an output stage are shown in Figure 6.

The pull-down driver components sink load currents to force a Low state at the output pin; the pull-up driver components supply current to force a High state. The control components turn on the selected driver and turn off the nonselected driver in response to the logic input signal. For 3-State parts, the control components turn off both drivers if the 3-State control signal is active. The output Schottky clamp is included to suppress inductive undershoots, and is a part of every ALS circuit. The load requires a static current to keep it in either a logic High or Low state. The drivers must also charge and discharge the load capacitance C_L , which is generally one of the major factors that influence switching speed.

Since, to a large extent, they function independently of each other, the pull-up driver, pull-down driver, and control blocks are discussed independently.

PULL-UP DRIVERS

Open-Collector

The simplest pull-up driver consists of no more than a fixed pull-up resistor tied to V_{CC} . For this case, the control stage interacts only with the pull-down driver. In the Low state, this must sink the current from both the pull-up resistor and load. In the High state, the pull-up resistor must supply all of the load

current. Most often, the pull-up resistor is not physically part of the integrated circuit chip itself, but is added externally. In this case the only circuit element connected to the output pad (in addition to the ever-present Schottky clamp) is the collector of the pull-down driver transistor, hence the name "Open-Collector." Parts with this output stage can be tied together for bus applications. If any of the connected pull-down stages is active, it will pull the bus Low; only if all of them are off can the external resistor pull the bus High. This action provides a "wired" logical function that is free in the sense that no additional components are required to achieve it.

The Open-Collector output voltage depends on the load, the value of the pull-up resistor, and the voltage to which this is connected. If the resistor value is low, the output will rise to nearly the full value of the pull-up source voltage; in particular, the Open-Collector output can rise to V_{CC} , a voltage higher than that obtainable with a standard Darlington totem-pole pull-up.

Standard Darlington

Most ALS pull-up drivers use dual transistors, connected as shown in Figure 7, with the emitter of the first device Q_b delivering current to the base of the driver Q_a . This configuration is called a Darlington circuit and provides a composite current gain nearly as large as the product of the current gains of Q_b and Q_a .

The major advantage of the Darlington pull-up, as compared to the Open-Collector, is that the pin is actively pulled high by the emitter-follower action of Q_a which is capable of supplying large currents to quickly charge output capacitance. Despite the large output current that is available, the drive requirements of Q_b are low, so that the voltage drop across R_c is small, and the pad will pull up to a voltage nearly as high as $V_{CC} - 2V_{BE}$.

For the case where the output pin voltage is High, the phase-splitter transistor Q_c is off, and the base of Q_b is pulled high by resistor R_c . The current which flows through R_c is just sufficient to provide base drive to Q_b . The base voltage of Q_b will be just slightly below V_{CC} , and the output pin voltage will be less than this by the sum of the V_{BE} drops of Q_b and Q_a , both of which are on. Most of the base current for Q_a and the current through pull-down resistor R_b is supplied from V_{CC} through R_a and Q_b . Q_b has a Schottky clamp to prevent saturation when the current through R_a is large. Resistor R_a limits the amount of current flowing from V_{CC} through Q_a to a value small enough that Q_a will not be damaged if the output pin is accidentally grounded for a short period of time. This short circuit output current is called I_{OS} , and its value is approximately the maximum current

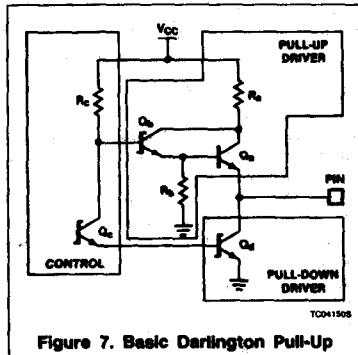


Figure 7. Basic Darlington Pull-Up

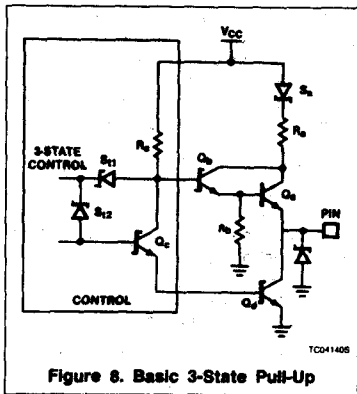


Figure 8. Basic 3-State Pull-Up

available to charge the output capacitance at the beginning of a Low-to-High transition. The minimum current available when the pin has reached the minimum guaranteed high voltage V_{OH} is called output high current (I_{OH}). The maximum output voltage that the pull-up driver can achieve occurs at maximum V_{CC} , and at high temperatures with corresponding low values of transistor V_{BE} and high current gain. Conversely, the minimum high voltage occurs at low V_{CC} and low temperatures.

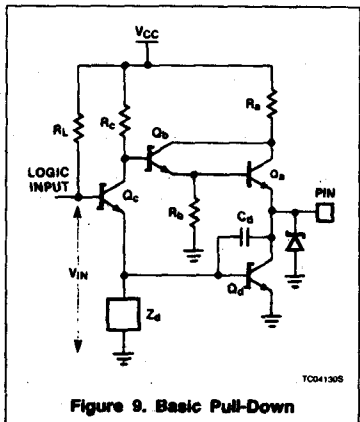


Figure 9. Basic Pull-Down

In the Low state, the pull-down driver Q_4 is on and the pin voltage is the Q_4 saturation voltage V_{SAT} . Q_3 is on and its collector resistor R_3 is pulled down to $V_{BE} + V_{SAT}$; the V_{BE} of Q_4 , V_{SAT} of Q_3 . Q_2 is also on, with its emitter at V_{SAT} , and the current through R_2 is low. The base-emitter voltage of Q_1 is nearly zero and Q_1 is off.

Assuming the pull-down is off, the Low-to-High transition speed is governed by: 1) the rate at which R_3 can pull-up the base of Q_2 ; 2) the amount of pin current required to drive the load and charge the load capacitance; 3) the value of R_2 ; 4) the physical size and current

gain of Q_2 ; and 5) the amount of Q_2 base drive current that is lost through R_2 to ground.

The pin can be driven above its maximum high value by an external pull-up or by positive reflections from a transmission line. When this happens, Q_1 and Q_2 do not have sufficient base-emitter drive to keep them on. If the pin voltage rises significantly above V_{CC} , Q_1 will begin to leak current into V_{CC} .

3-State

For all 3-State ALS parts, the leakage paths to a grounded V_{CC} pin are blocked with Schottky diodes. A typical 3-State pull-up is shown in Figure 11. S_{11} is the series Schottky blocking diode. 3-State Schottky S_{11} and S_{12} serve to simultaneously turn off the pull-up and pull-down drivers. The 3-State control is active when it is pulled low to within V_{SAT} of ground. In this state it sinks all the available drive current for Q_1 and Q_2 , and pulls their bases down to $(V_{SAT} + V_{Schottky})$, which is essentially one V_{BE} . The voltage drop across R_3 is large and 3-State power dissipation is typically high. Q_1 and Q_2 are off for normal TTL voltage ranges of the output pin; a negative undershoot large enough to drive the pin about one V_{BE} below ground will allow them to turn on and supply current from V_{CC} ; this action aids the clamping Schottky diode in preventing the pin voltage from falling lower.

PULL-DOWN DRIVERS

The basic pull-down driver is shown in Figure 9. Q_4 is the pull-down driver transistor, a big Schottky-clamped device capable of sinking large currents. C_d is the stray base-collector capacitance of Q_4 , and its unavoidable presence has an important effect on the performance of the pull-down driver. Q_3 is the Schottky-clamped phase splitter. It functions as a current-limited, low-impedance driver for Q_4 when the logic input voltage V_{IN} is high, and as an inverting driver for pull-up Q_2 by virtue of the current through R_3 when V_{IN} is low and Q_3 is off. Z_d is the pull-down impedance network which insures that Q_4 is off when V_{IN} is low.

Switching to the logic Low state occurs when V_{IN} is larger than the V_{BE} drops of Q_3 plus Q_4 , both of which are initially on. Part of the total emitter current available from Q_3 comes from R_3 , which has a voltage drop of $V_{CC} - V_{BE} - V_{SAT}$. The remainder of the Q_3 emitter current is supplied through its base Schottky clamp or by other components not shown in Figure 9 but discussed in the section on control components. A portion of the total Q_3 emitter current is lost in the pull-down network Z_d ; the remainder is available as base current for pull-down driver Q_4 . The amount of current Q_4 can sink depends on its base drive, its current gain, and its collector volt-

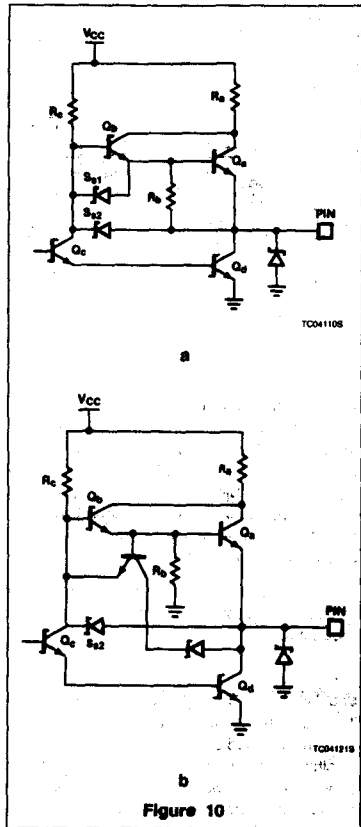


Figure 10

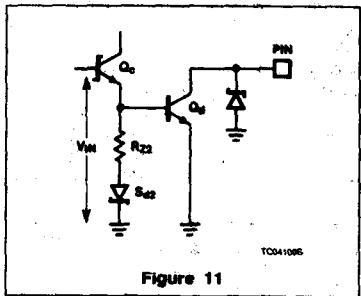


Figure 11

age. This current is specified on a per-part basis in the data sheets. Several innovative circuit improvements that increase the drive current for Q_4 are shown in Figures 10a and 10b. Speed-up Schottky diodes S_{11} and S_{12} have been added to the standard pull-down circuit as shown in Figure 10a. Both are reverse-biased and off in the High state, since R_3 pulls the collector of Q_3 nearly to V_{CC} . Both connect the collector of Q_3 to nodes that need to be discharged during a High-to-Low transition. S_{11} to the base of Q_2 , S_{12} to

Circuit Characteristics

the pin. They will conduct if these node voltages are higher than $V_{BE} + V_{SAT} + V_{Schottky}$, or approximately $2V_{BE}$; they are quite effective above $2V_{BE}$. Figure 10b shows a dynamic kicker that gives an impulse of current which is especially useful in discharging high capacitive loads.

The network of elements labeled Z_d in Figure 9 is the pull-down impedance which insures that Q_d is off when the value of V_{IN} falls below $2V_{BE}$. When the voltage at the base of Q_d is being pulled high by Q_c or low by Z_d , the output pin voltage responds by moving in the opposite direction. This produces a change in voltage across C_d , which is the sum of the base voltage change and the collector voltage change, so the amount of charge required by C_d is magnified by a factor which is larger than unity.

This well-known Miller-effect causes the apparent value of C_d , as perceived by the drivers, to be a factor of about five times larger than the already large physical junction capacitance, all of which means that the drivers Q_c and Z_d need to supply or sink much more current during an output transition than is necessary to maintain static conditions. When static conditions do exist internally in the circuit, noise voltage spikes on the output pin, V_{CC} , or ground can momentarily force the base of Q_d in the direction to produce an output glitch, and the drivers must respond quickly to counter this coupled noise.

A simple Z_d element is a resistor R_{Z2} and a series Schottky diode to ground. This is shown in Figure 11. The Q_d base voltage cannot pull below a Schottky drop, so that switching speed is unimpaired.

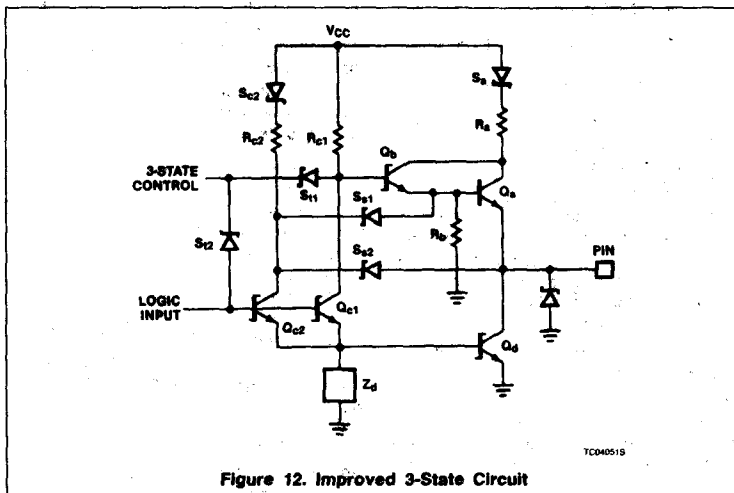


Figure 12. Improved 3-State Circuit

CONTROL COMPONENTS

This section covers 3-State control drivers, special 3-State problems, and V_{CC} turn-on current and 3-State glitches during power-up.

3-State Control Drivers

The normal TTL 3-State scheme is shown in Figure 8. The 3-State control voltage in the OFF state is high enough that S_{11} and S_{12} are reverse-biased; in the active state the control voltage is low, usually V_{sat} , so that the $Q_a - Q_b$ base emitter stack is off, as is the $Q_c - Q_d$ stack. In the 3-State mode, R_c is dissipating maximum power. Blocking Schottky diode S_a prevents current from flowing backwards through Q_a if the V_{CC} pin is grounded; the output pin high voltage can be about 4.5V before there is any significant 3-State leakage current.

There are several innovative improvements to the basic 3-State circuit, as shown in Figure 12. The addition of inverter $Q_{c2} - R_{c2}$ with a blocking Schottky S_{c2} allows the addition of feedback diodes S_{s1} and S_{s2} to increase I_{AV} ; S_{c2} cannot be included in series with R_{c1} because its forward voltage drop would lower V_{OH} . 3-State power is not increased, since only one R_{c1} is pulled low. The current through Q_{c2} is available as added base drive to Q_d , so nothing is wasted. An additional transistor may be paralleled with Q_{c1} and Q_{c2} to control an active pull-down version of impedance Z_d .

I_{CC} Considerations

There is no formal family specification that limits the amount of V_{CC} current an ALS circuit may draw during turn-on as V_{CC} rises from zero to 4.5V. However, an effort has been made to limit maximum turn-on I_{CC} to 110% of I_{CCmax} . This precaution prevents an

undesirable system situation where the V_{CC} power supply is large enough to drive the devices, but can't power them up. The major component of turn-on current is V_{CC} to ground feed-through of output stages. Unless specific steps are taken to prevent it, the pull-up Darlington turns on if V_{CC} is greater than $2V_{BE}$, and remains on until the on-chip voltage is high enough to set the phase splitter solidly in one or the other of its two states. The solution is to incorporate extra circuit components that will set the phase splitter at voltages nearly as low as $2V_{BE}$, or turn off the top device with a separate 3-State type structure which activates at low V_{CC} voltages and becomes inoperative when V_{CC} is high.

The amount of current that can be fed from an output pin back into a grounded V_{CC} pin, or through the chip to ground for an open V_{CC} pin, depends on the design. Generally, 3-State feedback current is specifically limited to low values which are leakage or breakdown related. Other parts have medium current.

Most 3-State parts, especially selected buffer functions, have additional circuit elements to insure that as they power on they source or sink no appreciable output current, provided that the 3-State control pins are in the active state as V_{CC} rises. This means that V_{CC} can be turned on or off at will in the system to conserve power, and bus voltages will not be affected. Parts with this capability are identified in the specific data sheets.

GROUND VOLTAGE AND OTHER NOISE PROBLEMS

Ground Voltage As A Serious Problem

Excessive ground noise voltage in a system usually produces serious degradation of switching speed. It may also produce unwanted glitches on outputs, or spurious clocks which cause flip-flops to lose data, or relaxation oscillations that completely disrupt a system. It is, without doubt, one of the major causes of logic systems failure ... difficult to accommodate, and difficult to eliminate.

Well planned PC board layout is vital, and multilayer boards with ground and V_{CC} planes are often desirable. Great care must be taken to insure adequate bypassing for V_{CC} . The problems are not trivial, but they can be solved satisfactorily.

Sources Of Ground Noise

Ground lead inductance is the source of most ground noise voltage; it causes a voltage drop proportional to the rate at which the current through it changes.

Inductance is a measure of the amount of energy stored in the magnetic field associat-

Circuit Characteristics

ed with a current. Low values of inductance imply low energy, which means low voltage required to affect a change in current. As a general rule, inductance decreases as current is allowed to spread out in space, and current interactions decrease. The inductance of a thin wire far removed from the return current path is high; that of a large conductor coaxially encircled by the return path is low. Inductance tends to increase faster than linearly with conductor length, but only approximately logarithmically with decreasing cross-section dimensions. From a logic system viewpoint, ground planes are better than ground traces; wide lines are better than narrow lines; close spacing to planes is good; loops that allow magnetic flux linkages are bad; wire lengths of fractions of inches count; and sockets with long pins add significant inductance to a PC card.

Ground noise voltage is increased by feed-through current spikes. These occur when both top and bottom devices of the output totem-pole driver are on simultaneously, and heavy currents are allowed to flow directly from V_{CC} to ground. They can be minimized in one of two ways: drive the devices such that one is turned off before the other can turn on, or more commonly, drive them together, but very fast, so the feed-through current can flow for only a short time.

Although most ground noise results from ground inductance, resistance also contributes. Static ground offsets unrelated to rates of current change occur, and add to the total ground voltage. Generally speaking, those measures which reduce ground inductance also reduce ground resistance.

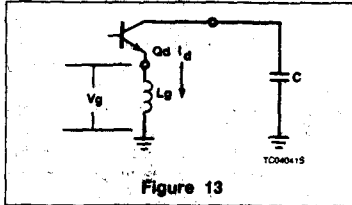
Estimating The Magnitude Of Ground Noise

The accurate modeling of ground noise-related problems in logic design is a complex procedure that requires numerical analysis to determine system currents and voltages as a function of time. This can only be accomplished in a satisfactory manner if one has reasonable electrical models, especially for input stages and output drivers of the integrated circuits used in the system. Signetics is prepared to assist customers in solving the sometimes formidable problems associated with large system simulation.

The following discussion derives the minimum peak-value of ground noise that will occur as an integrated circuit discharges a capacitor through ground lead inductance. It points out the minimum problems that will exist. In the real world, the peak ground voltage will always be larger than the simple derivation predicts.

The load capacitor C and its discharge path are shown in Figure 20. The capacitor has

been previously charged to a positive voltage, and is discharging through pull-down transistor Q_d and lead ground inductance L_g . As the current changes, it develops a ground voltage V_g across L_g that is equal to the product of L_g times the rate at which it changes.



The discharge current I_d will vary with time; starting from zero, it will increase to a maximum value, and then eventually return to zero. There are an infinite number of ways I_d can vary, depending on how the transistor allows charge to flow at any instant in time, but each of the possible current-vs-time discharge curves must define the same area, equal in value to the total charge Q that is removed from the capacitor as its voltage falls by an amount V .

The voltage drop V_g across the inductor at any instant in time will be determined by the slope of the current-vs-time curve, that is, by the rate at which current is changing. The unique curve that has the required area and minimum slope is triangular, as shown in Figure 14. The ground voltage for this case is a square wave as shown in Figure 15. It will be positive while the current is increasing, and negative when the current is decreasing.

The equations of interest in estimating V_g are:

$$\text{Charge} = Q = CV = I_{MAX} \frac{T}{2} = \text{triangle area}$$

$$\text{Ground voltage} = V_g = (\text{triangle slope})(L) = \frac{2 I_{MAX} L}{T}$$

Combining the two equations to eliminate I_{MAX} gives:

$$V_g = \frac{4CVL}{T^2}$$

This lower limit of peak ground voltage will always be exceeded in the real world, where ground voltages are usually spikes, not square waves. If a spike is large enough and long enough, the chip will erroneously recognize it as a valid input, and respond either by glitching, slowing down, clocking incorrectly, or oscillating.

An example using values typical for an ALS circuit in a 16-pin DIP illustrates the potential for trouble. If the circuit discharges one standard ALS load of 50pF in 2ns with a voltage

change of 3V through a ground inductance of 10nH, the minimum ground voltage will be:

$$V_g = \frac{4 \times 50 \times 10^{-12} \times 3 \times 10 \times 10^{-9}}{(2 \times 10^{-9})^2} = 1.5V$$

This value is high, and suggests that if transition times are not to be seriously degraded, inductances must be kept as small as possible, and loads must be minimized.

Effects Of Ground Noise On Input Stages

ALS input voltages are referenced to system ground as illustrated in Figure 16 which shows an equivalent input and output stage. The equivalent input circuit is represented by R_{IN} and the four diodes $D1$ through $D4$. These components establish an input switching threshold voltage of $2 V_{BE}$ relative to chip ground. The on-chip voltage V_{IN} must be different from this value by a margin large enough to guarantee a static Low or High with sufficient overdrive to insure switching speed. The on-chip voltage V_{IN} that is actually available is the difference between the input pin voltage V_{PIN} and the total ground voltage noise V_g . V_g is the sum of the steady state voltage due to ground current flowing through R_g , and the inductive voltage drop across L_g . The inductive voltage is usually the larger of the two, and since it depends on current changes, it will have both positive and negative polarities for each switching cycle. This means that either Low or High input voltages which are too close to switching threshold will allow the noise margin to be exceeded, and if the ground voltage noise persists long enough, the input will switch erroneously. The result of this depends on the chip function. Combinatorial logic usually slows down or produces output glitches. Latches and flip-flops may be clocked inadvertently, and stored data will be lost. Complex circuits that have multiple outputs may oscillate, particularly if one polarity of ground noise results in a rapid change of ground current that produces the opposite polarity ground noise.

Ground noise adds a dimension of difficulty in measuring input threshold voltage. ALS parts are guaranteed to have input thresholds between the limits 0.8V and 2.0V. A typical method of verifying this is to determine the voltage at which the input actually switches. This requires some care, since the true threshold voltage is masked by any noise voltage contributed by the test system or ground inductance. For accurate results, the input pin voltage should approach the switching threshold slowly and smoothly. At threshold the input will switch. Sensing this point is easy for those circuits where an output also switches, glitches, or oscillates. It is much harder to sense this point for those circuits

Circuit Characteristics

where an input change produces no output change, for example, with flip-flops which change state only when clocked. The input switch point for these devices can be inferred by measuring the input current as a function of input voltage. Clocking the part may produce enough ground noise to distort the measurement, even if the output doesn't switch.

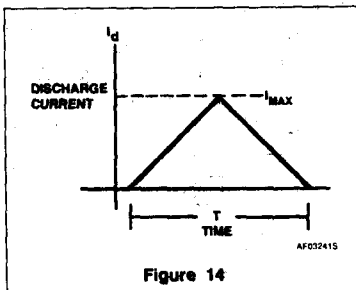


Figure 14

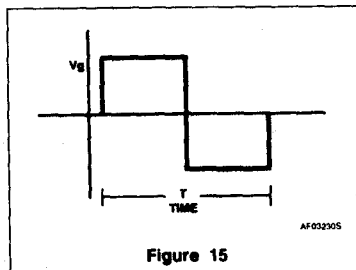


Figure 15

Effects Of Ground Noise On Output Stages

The most obvious effect that ground noise has on output stages is to directly change the voltage available to force discharge current through the pull-down device. If the only source of ground voltage is from the particular output of interest, the ground and output pin inductances will always slow down a High-to-Low transition. They produce a voltage in opposition to the output pin voltage at the beginning of the discharge when currents tend to be high and voltage changes rapidly. As discharge continues, the available drive decreases, and currents increase less rapidly. Eventually the current begins to fall, and the ground voltage reverses polarity, which tends to limit the rate at which the current decreases. If currents have been high, and the inductances are large, there may be substantial undershoot at the end of the switching cycle which can drive the output pin below ground.

If multiple outputs are switching simultaneously, the total ground noise needs to be considered to determine the result for a particular output. For this case, it can happen

that ground noise will, in fact, speed up an output; on the other hand, it may introduce delays that are much larger than those possible with single output switching. This behavior makes it difficult to predict, except on a case by case basis, what the actual effects of multiple output switching will be. Curves of delay vs multiple switching have been published, but these serve only as rough guides to indicate potential problems, and need to be backed up with actual analysis for any particular application.

In addition to the direct influence on discharge voltage, excessive ground noise can affect the operation of the control components, and alter both rise and fall times by driving pull-up or pull-down stages incorrectly. One example of this can be understood with reference to Figure 17. The scenario is that the output pin is Low, but on the verge of switching High, with V_{IN} falling and Q_c ready to turn off. A problem occurs if, at the instant before the pull-up transistor Q_a turns on to pull the output pin high, the voltage from output pin to chip ground falls. This can happen as a result of inductive undershoot driving the output pin down, or by a rise in ground voltage caused by currents completely unrelated to the output of interest. The low output-pin-to-chip-ground voltage pulls down the emitter of Q_c through Schottky clamp diode S_b , and if V_{IN} is not low enough to counteract this, Q_c will not turn off. The net result is that R_c cannot rise, and the transition is delayed until the noise voltage from output to ground disappears.

V_{CC} Noise As An Additional Problem

Inductance in the V_{CC} lead produces noise in the on-chip V_{CC} voltage that is entirely analo-

gous to ground voltage. The effects of V_{CC} noise can be nearly as harmful as those produced by ground noise, the only significant difference being the fact that TTL input voltages are referenced to ground instead of V_{CC} .

The first symptom of excessive V_{CC} inductive voltage drop is a change in the edge rate for a Low-to-High transition. This will decrease if the on-chip V_{CC} falls, and increase if it rises. If the ground to V_{CC} voltage falls below a minimum value, internal circuit delays or glitches can occur, and functions with flip-flops or other storage elements may lose data. As is the case with excessive ground noise, ALS circuits may break into relaxation oscillation.

Because V_{CC} to ground voltage must remain above a minimum value to avoid logic errors and glitches, it is absolutely vital that V_{CC} to ground bypassing is adequate. This requires low inductance V_{CC} and ground PC traces, and low inductance bypass capacitors. ALS parts are guaranteed to function properly for low V_{CC} of 4.5V. This means that pin voltages must not fall below this value for any appreciable time: fractions of nanoseconds. V_{CC} system voltage should be close to the maximum guaranteed value for safe system design.

Designing To Reduce The Effects Of Ground Noise

The typical 1.5V minimum value for ground noise, calculated in the preceding example, points out the possibility of noise-related problems when only one standard 50pF load is being driven by an output stage. Simultaneous switching of more than one such load obviously increases the risk of trouble, and raises the question of how an octal part can

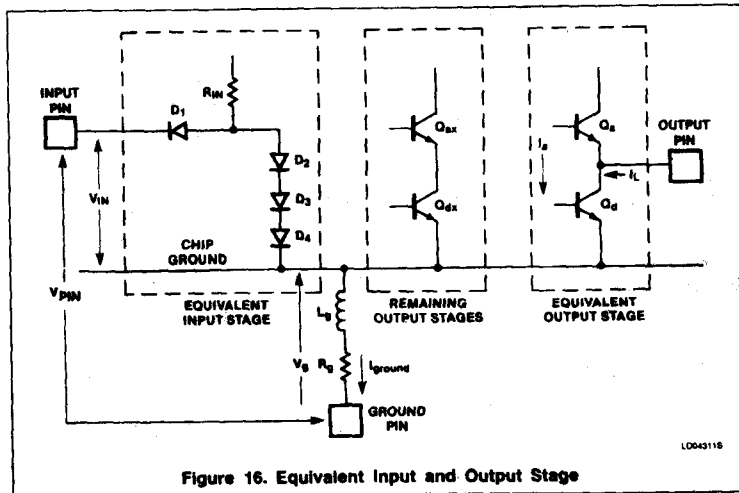


Figure 16. Equivalent Input and Output Stage

Circuit Characteristics

work at all. Fortunately, the real world, with careful PC layout, is not usually so grim.

The standard 50pF load is a lot of capacitance, chosen so one can estimate the chip response for a single output switching under conditions that approach worst case. On a modern PC board a wire trace that has 50pF stray capacitance is several feet long and looks like a resistive delay line instead of a lumped capacitor.

Traces on a PC card must be short to behave like lumped capacitance for an output stage. For this case, a major contributor to driver current is the load presented by the input stages of the driven circuits, and the associated stray capacitance. As previously mentioned, the input current for ALS parts is related to edge rates, and is generally larger than the measured static value of input capacitance would predict. Because of this, the useful fan-out of ALS circuits may be more dependent on ground noise of drivers with heavy capacitive loads than on the amount of

current available to a static DC load, which is the guaranteed data sheet value.

Most of Signetics' ALS parts are available in surface mount packages, and these have lower ground inductance than the standard DIP parts.

Inductance of output signal pins reduces the rate at which associated ground current can change, and this reduces ground noise voltage without a corresponding reduction of static output voltage. This inductance may be intentionally increased by adding trace length on the PC board; one needs to be careful, and anticipate the increase in output ringing during switching transitions.

In summary, there are many potential problems that one can anticipate in logic systems with fast edge rates. Some of these are dependent on the available components and their respective packages, and the system designer must be certain that the demands made of them are not more than they can

handle. A second major consideration is the system layout, especially from the standpoint of ground, V_{CC} , and signal lead inductance.

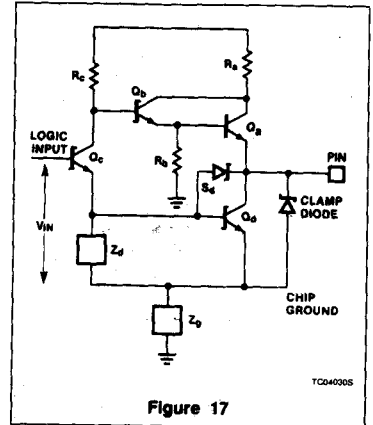



Figure 17



Section 4 ALS Users' Guide

INDEX

Data Sheet Specification Guide	4-3
Design Considerations	4-11

Data Sheet Specification Guide

INTRODUCTION

Signetics' ALS data sheets have been configured for quick usability.

They are self-contained and should require minimum reference to other sections for amplifying information.

TYPICAL PROPAGATION DELAY AND SUPPLY CURRENT

The typical propagation delays listed at the top of the data sheets are the average between t_{PLH} and t_{PHL} for the most significant data path through the part.

In the case of clocked products, this is sometimes the maximum frequency of operation. In any event, this number is under the operating conditions of $V_{CC} = 5.0V$ and $T_A = 25^\circ C$.

The typical I_{CC} current shown in that same specification block is the average current (in the case of gates, this will be the average of the I_{CCH} and I_{CCL} currents) at $V_{CC} = 5.0V$ and $T_A = 25^\circ C$. It represents the total current through the package, not the current through the individual functions.

LOGIC SYMBOLS

There are two types of logic symbols. The conventional one, "Logic Symbol," explicitly shows the internal logic (except for complex logic). The other is "Logic Symbol (IEEE/IEC)" as developed by the IEC and IEEE. The International Electrotechnical Commission (IEC) has developed a very powerful symbolic

language than can show the relationship of each input of a digital logic circuit to each output without explicitly showing the internal logic. Internationally, Working Group 2 of IEC Technical Committee TC-3 is preparing a new document (Publication 817-12) that will consolidate the original work started in the mid-1960's and published in 1972 (Publication 117-15), and the amendments and supplements that have followed. Similarly, for the U.S.A., IEEE Committee SCC 11 has revised the publication IEEE Std 91/ANSI Y32.14-1973.

The updated version IEEE Standard Graphic Symbols for Logic Functions ANSI/IEEE Std 91-1984 (Revision of ANSI/IEEE Std 91-1973 [ANSI Y32.14-1973]) can be ordered through:

IEEE Service Center
445 Hoes Lane
Piscataway, New Jersey 08854
Phone (201) 981-0060

ABSOLUTE MAXIMUM RATINGS

The Absolute Maximum Ratings table carries the maximum limits to which the part can be subjected without damaging it. There is no implication that the part will function at these extreme conditions. Thus, specifications such as the most negative voltage that may be applied to the outputs only guarantees that if less than $-0.5V$ is applied to the output pin, after that voltage is removed, the part will still be functional and its useful life will not have been shortened.

Input and output voltage specifications in this table reflect the device breakdown voltages in the positive direction ($+7.0V$) and the effect of the clamping diodes in the negative direction ($-0.5V$).

Absolute maximum ratings imply that any transient voltages, currents, and temperatures will not exceed the maximum ratings. Absolute maximum ratings are shown in Table 1.

RECOMMENDED OPERATING CONDITIONS

The Recommended Operating Conditions table has a dual purpose. It sets environmental conditions (operating free-air temperature), and it sets the conditions under which the limits set forth in the DC Electrical Characteristics table and AC Electrical Characteristics table will be met. Another way of looking at this table is to think of it not as a set of limits guaranteed by Signetics, but as the conditions Signetics uses to test the parts and guarantee that they will then meet the limits set forth in the DC and AC Electrical Characteristics tables.

Some care must be used in interpreting the numbers in these tables. Signetics feels strongly that the specifications set forth in a data sheet should reflect as accurately as possible the operation of the part in an actual system. In particular, the input threshold values of V_{IH} and V_{IL} can be tested by the user with parametric test equipment ... if V_{IH} and V_{IL} are applied to the inputs, the outputs will be at the voltages guaranteed by DC Electrical Characteristics table. There is a tendency

Table 1. ABSOLUTE MAXIMUM RATINGS (Operation beyond the limits set forth in this table may impair the useful life of the device. Unless otherwise noted these limits are over the operating free-air temperature range.)

SYMBOL	PARAMETER	74F	UNIT
V_{CC}	Supply voltage	-0.5 to +7.0	V
V_{IN}	Input voltage	-0.5 to +7.0	V
I_{IN}	Input current	-30 to +5	mA
V_{OUT}	Voltage applied to output in High output state	-0.5 to V_{CC}	V
I_{OUT}	Current applied to output in Low output state	Standard outputs	16 mA
		3-State and buffer outputs	48 mA
		-1 version outputs	96 mA
T_A	Operating free-air temperature range	0 to +70	$^\circ C$
T_{STG}	Storage temperature range	-65 to +150	$^\circ C$

Data Sheet Specification Guide

on the part of some users to use V_{IH} and V_{IL} as conditions applied to the inputs to test the part for functionality in a "truth-table exerciser" mode. This frequently causes problems because of the noise present at the test head of automated test equipment. Parametric tests, such as those used for the output levels under the V_{IH} and V_{IL} conditions are done slowly, on the order of milliseconds, and any noise present at the inputs has settled out before the outputs are measured. But in functionality testing, the outputs are examined much faster, before the noise on the inputs has settled out and the part has assumed its final and correct output state. Thus, V_{IH} and V_{IL} should never be used in testing the functionality of any ALS part type. For these types of tests, input voltages of +4.5V and 0.0V should be used for the High and Low states, respectively.

In no way does this imply that the devices are noise sensitive in the final system. The use of "hard" Highs and Lows during functional testing is done primarily to reduce the effects of the noise typically present at the test heads of automated test equipment especially when using cables that may at times reach several feet. The situation in a system on a PC board is less severe than in a noisy production environment. Typical recommended operating conditions are shown in Table 2.

DC ELECTRICAL CHARACTERISTICS

This table reflects the DC limits used by Signetics during their testing operations conducted under the conditions set forth in the Recommended Operating Conditions table.

V_{OH} and V_{OL} values vary depending on the V_{CC} values specified and the type of output structure; standard, 3-State, or buffer. Generally, as the output current and V_{CC} variations increase, the guaranteed minimum V_{OH} decreases and the maximum V_{OL} increases. Signetics specifies and tests V_{OH} and V_{OL} for 10% V_{CC} swings.

I_I , the maximum input current at maximum input voltage, is a measure of the input leakage current at a guaranteed minimum input breakdown voltage. The test conditions for I_I vary according to the type of input structure being tested. PNP and Diode inputs are tested with $V_{CC} = \text{MAX}$ and 7.0V at the input. When I_I is being measured on transceiver I/O pins, both V_{CC} and the input voltage are 5.5V. The reduced input voltage is necessary because of the output structure connected to the input structure. Output structures break down sooner than input structures and it is impossible to test the input without testing the output also.

I_{IH} for both Diode and PNP input structures is less than 20 μA typically. I_{IL} is less than 100 μA for PNP inputs and less than 200 μA for Diode inputs. If multiple input structures are tied together in the design, then the input current values also multiply.

For transceiver I/O pins the outputs are in the High-impedance state when the inputs are tested. Therefore, the small amount of extra leakage is combined with the I_{IH} and I_{IL} specifications.

I_{OZH} is tested with setup conditions that would put the output in the High state if it were not in the 3-State High-impedance condition. I_{OZL} is similar except the setup condition is for the Low state.

I_{OH} is tested only on Open-Collector outputs as a leakage test for the lower output transistor structure. V_{CC} is less than V_{OH} so that there is not a current path to or from V_{CC} that would mask the leakage.

IO is approximately one half of the true short-circuit output current value. It is measured at $\frac{1}{2} V_{CC}$ in a linear region of the low-state output current characteristics. This method of testing allows indirect measurement of the current available for capacitive load charging while avoiding test problems of over-heating and potential circuit damage associated with IOS tests.

DC electrical characteristics are shown in Table 3.

AC ELECTRICAL CHARACTERISTICS

The AC Electrical Characteristics table (see Table 4) contains the guaranteed limits when tested under the conditions set forth in the AC Test Circuits and Waveforms section. In some cases, the test conditions are further defined by the AC setup requirements (see Table 5)—this is generally the case with counters and flip-flops where setup and hold times are involved.

All of the AC characteristics are guaranteed with 50pF load capacitance. The reason for choosing 50pF over 15pF as load capacitance is that it allows more leeway in dealing with stray capacitance, and also loads the device during rising or falling output transitions, which more closely resembles the loading to be expected in average applications, thus giving the designer more useful delay figures.

Table 2. RECOMMENDED OPERATING CONDITIONS

SYMBOL	PARAMETER	LIMITS			UNIT	
		Min	Nom	Max		
V_{CC}	Supply voltage	4.5	5.0	5.5	V	
V_{IH}	High-level input voltage	2.0			V	
V_{IL}	Low-level input voltage			0.8	V	
I_{IK}	Input clamp current			-18	mA	
V_{OH}	High-level output voltage			5.5	V	
I_{OH}	High-level output current	Open-Collector				
		Standard			-0.4	mA
		3-State			-2.6	mA
I_{OL}	Low-level output current	Buffers			-15	mA
		Standard			8	mA
		3-State and Buffers			24	mA
		-1 versions			48	mA
T_A	Operating free-air temperature range	0		70	$^{\circ}\text{C}$	

Data Sheet Specification Guide

Although the 50pF load capacitance will increase the propagation delay by an average of about 1ns for ALS devices, it will increase several ns for standard Schottky devices.

The load resistor of 500Ω is conveniently specified as both a pull-up and pull-down load resistor.

ALS products are being released in the surface-mounted SO package as a commercial option.

Table 3. DC ELECTRICAL CHARACTERISTICS

SYMBOL	PARAMETER ¹	CONDITIONS ²	LIMITS ²			UNITS	V _{CC} ⁴		
			Min	Typ ³	Max				
V _{IK}	Input clamp diode voltage	I _{IN} = -18mA			-1.5	V	MIN		
V _{OH}	Output High voltage	Std. ⁵	I _{OH} = -0.4mA	V _{CC} -2		V	5V ± 10%		
		3-State	I _{OH} = -2.6mA	2.4	3.2	V	MIN		
		Buffers	I _{OH} = -3mA	2.4	3.2	V	MIN		
V _{OL}	Output Low voltage	Std. ⁵	I _{OL} = 4mA		0.25	0.4	V	MIN	
			I _{OL} = 8mA		0.35	0.5	V	MIN	
		3-State and Buffers	I _{OL} = 12mA		0.25	0.4	V	MIN	
			I _{OL} = 24mA		0.35	0.5	V	MIN	
-1 version	I _{OL} = 48mA		0.35	0.5	V	4.75V			
I _I	Input High current breakdown test	Diode inputs	V _{IN} = 7.0V			100	μA	MAX	
		PNP inputs	V _{IN} = 7.0V			100	μA	MAX	
		Transceiver I/O pins	V _{IN} = 5.5V			100	μA	5.5V	
I _{IH}	Input High current	V _{IH} = 2.7V (20μA × n High U.L.)				n(20)	μA	MAX	
I _{IL}	Input Low current	Diode inputs	V _{IL} = 0.4V (-0.2mA × n Low U.L.)				n(-0.2)	mA	MAX
		PNP inputs	V _{IL} = 0.4V (-100μA × n Low U.L.)				n(-100)	μA	MAX
I _{OZH}	3-State OFF current High	V _{OUT} = 2.7V				20	μA	MAX	
I _{OZL}	3-State OFF current Low	V _{OUT} = 0.4V				-20	μA	MAX	
I _{OH}	Open-Collector output leakage	V _{OH} = 5.5V				100	μA	MIN	
I _O ⁶	Output current	V _{OUT} = 2.25V	-30			-112	mA	MAX	

NOTES:

1. Unless otherwise noted, conditions and limits apply throughout the temperature range for which the particular device type is rated. The ground pin is the reference level for all applied and resultant voltages.
2. Unless otherwise stated on individual data sheets.
3. Typical characteristics refer to T_A = +25°C and V_{CC} = +5.0V.
4. MIN and MAX refer to the values listed in the data sheet table of recommended operating conditions.
5. Standard refers to the totem-pole pull-up circuitry commonly used for the particular family, as distinguished from buffers, line drivers or 3-State outputs.
6. The output conditions have been chosen to produce current that closely approximates one half of the true short-circuit current, I_{OC}.

Data Sheet Specification Guide

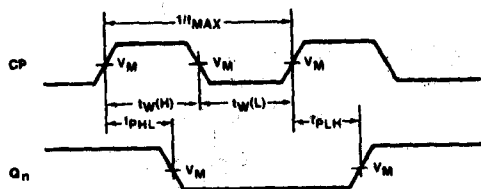
Table 4. AC ELECTRICAL CHARACTERISTICS

SYMBOL	PARAMETER	TEST CONDITION	LIMITS		UNIT
			$T_A = 0^\circ\text{C to } +70^\circ\text{C}$ $V_{CC} = +5.0\text{V} \pm 10\%$ $C_L = 50\text{pF}$ $R_L = 500\Omega$		
			Min	Max	
t_{PLH} t_{PHL}	Propagation delay D_n to Q_n	Waveform 2	2.0	12.0	ns
			2.0	14.0	
t_{PLH} t_{PHL}	Propagation delay E to Q_n	Waveform 1	3.0	14.0	ns
t_{PZH} t_{PZL}	Output Enable time to High or Low level	Waveform 4	2.0	14.0	ns
		Waveform 5	3.0	14.0	
t_{PHZ} t_{PLZ}	Output Disable time to High or Low level	Waveform 4	2.0	10.0	ns
		Waveform 5	2.0	12.0	
f_{MAX}	Maximum clock frequency	Waveform 1	50		MHz
t_{PLH} t_{PHL}	Propagation delay CP to Q_n	Waveform 1	3.0	12.0	ns
			4.0	14.0	
t_{PZH} t_{PZL}	Output enable time to High or Low level	Waveform 4	3.0	14.0	ns
		Waveform 5	3.0	14.0	
t_{PHZ} t_{PLZ}	Output Disable time to High or Low level	Waveform 4	2.0	10.0	ns
		Waveform 5	3.0	12.0	

Table 5. AC SETUP REQUIREMENTS

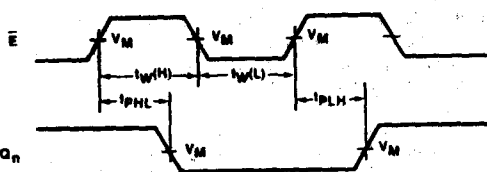
SYMBOL	PARAMETER	TEST CONDITION	LIMITS		UNIT
			$T_A = 0^\circ\text{C to } +70^\circ\text{C}$ $V_{CC} = +5.0\text{V} \pm 10\%$ $C_L = 50\text{pF}$ $R_L = 500\Omega$		
			Min	Max	
$t_s(H)$ $t_s(L)$	Setup time D_n to E	Waveform 3	6.0		ns
			6.0		
$t_h(H)$ $t_h(L)$	Hold time D_n to E	Waveform 3	6.0		ns
$t_w(H)$	E Pulse width, High	Waveform 1	10.0		ns
$t_s(H)$ $t_s(L)$	Setup time D_n to CP	Waveform 3	6.0		ns
			6.0		
$t_h(H)$ $t_h(L)$	Hold time D_n to CP	Waveform 3	1.0		ns
$t_w(H)$ $t_w(L)$	CP Pulse width, High or Low	Waveform 1	10.0		ns
			10.0		

Data Sheet Specification Guide



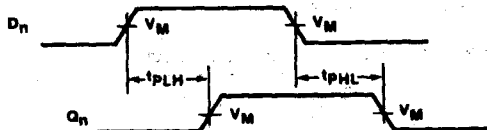
WF061125

Waveform 1. Clock to Output Delays and Pulse Width



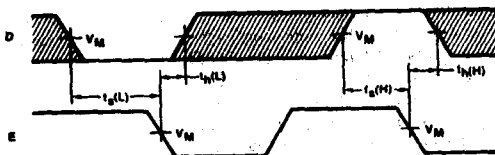
WF061516

Waveform 2. Latch Enable to Output Delays and Latch Enable Pulse Width



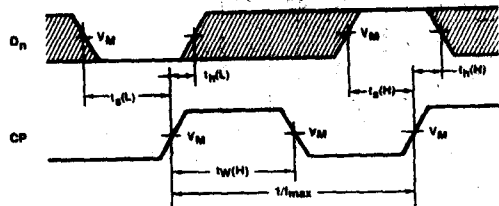
WF060825

Waveform 3. Propagation Delay Data to Q Outputs



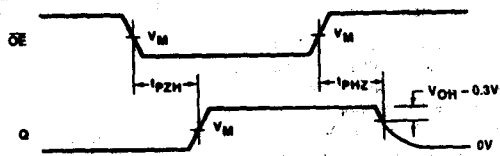
WF063135

Waveform 4. Data Setup and Hold Times



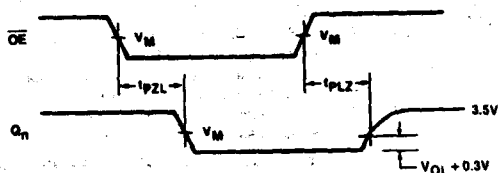
WF063255

Waveform 5. Data Setup and Hold Times



WF060865

Waveform 6. 3-State Output Enable Time to High Level and Output Disable Time from High Level



WF060745

Waveform 7. 3-State Output Enable Time to Low Level and Output Disable Time from Low Level

NOTE: For all waveforms, $V_M = 1.3V$.
The shaded areas indicate when the input is permitted to change for predictable output performance.

Figure 1. AC Waveforms

TEST CIRCUITS AND WAVEFORMS

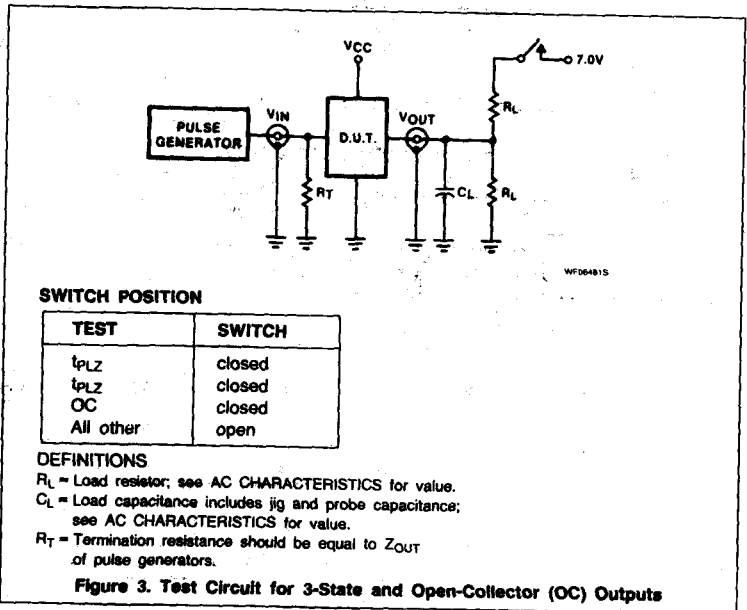
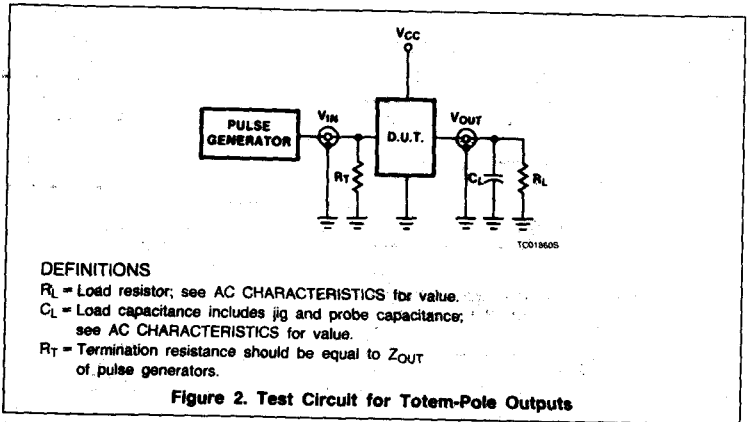
The 500Ω load resistor, R_L to ground, as described in Figure 2, acts as a ballast to slightly load the totem-pole pull-up and limit the quiescent High state voltage to about +3.5V. Otherwise, an output would rise quickly to about +3.5V, but then continue to rise very slowly up to about +4.4V. On the subsequent High-to-Low transition, the observed t_{PHL} would vary slightly with duty cycle, depending on how long the output voltage was allowed to rise before switching to the Low state. Perhaps, more importantly, the 500Ω resistor to ground can be a high-frequency, passive probe for a sampling scope, which costs much less than the equivalent high-impedance probe. Alternatively, the 500Ω load to ground can simply be a 450Ω resistor feeding into a 50Ω coaxial cable leading to a sampling scope input connector, with the internal 50Ω termination of the scope completing the path to ground. Note that with this scheme there should be a matching cable from the device's input pin to the other input of the sampling scope; this also serves as a 50Ω termination for the pulse generator that supplies the input signal.

Figure 3, Test Circuit for 3-State Outputs, shows a second 500Ω resistor from the device output to a switch. For most measurements this switch is open; it is closed for measuring a device with Open-Collector outputs and for measuring one set of the Enable/Disable parameters (Low-to-OFF and OFF-to-Low) of a 3-State output. With the switch closed, the pair of 500Ω resistors and the +7.0V supply establish a quiescent High level of +3.5V, which correlates with the High level discussed in the preceding paragraph.

As shown in Figure 1, AC Waveforms, the disable times are measured at the point where the output voltage has risen or fallen by 0.3V from the quiescent level (i.e., Low for t_{PLZ} or High for t_{PHZ}).

Since the rising or falling waveform is RC-controlled, the 0.3V of change is more linear and is less susceptible to external influences.

More importantly, from the system designer's point of view, 0.3V is adequate to ensure that a device output has turned OFF. It also gives system designers more realistic delay times to use in calculating minimum cycle times.



Good, high-frequency wiring practices should be used in constructing test jigs. Leads on the load capacitor should be as short as possible to minimize ripples on the output waveform transitions and to minimize undershoot. Generous ground metal (preferably a ground plane) should be used for the same reasons. A V_{CC} bypass capacitor should be provided at the test socket, also with minimum lead

lengths. Input signals should have rise and fall times of 2.0ns, and signal swing of 0V to +3.5V. 1.0MHz square wave is recommended for most propagation delay tests. The repetition rate must necessarily be increased for testing t_{MAX} . Two pulse generators are usually required for testing such parameters as setup time, hold time, recovery time, etc.

Data Sheet Specification Guide

DC SYMBOLS AND DEFINITIONS

Voltages — All voltages are referenced to ground. Negative-voltage limits are specified as absolute values (i.e., -10V is greater than -1.0V).

V_{CC}	Supply voltage: The range of power supply voltage over which the device is guaranteed to operate within the specified limits.
V_{IKMax}	Input clamp diode voltage: The most negative voltage at an input when the specified current is forced out of that input terminal. This parameter guarantees the integrity of the input diode intended to clamp negative ringing at the input terminal.
V_{IH}	Input High voltage: The range of input voltages recognized by the device as a logic High.
V_{IHMin}	Minimum input High voltage: This value is the guaranteed input High threshold for the device. The minimum allowed input High in a logic system.
V_{IL}	Input Low voltage: The range of input voltages recognized by the device as a logic Low.
V_{ILMax}	Maximum input Low voltage: This value is the guaranteed input Low threshold for the device. The maximum allowed input Low in a logic system.
V_M	Measurement voltage: The reference voltage level on AC waveforms for determining AC performance. Usually specified as 1.3V for the ALS family.
V_{OHMin}	Output High voltage: The minimum guaranteed High voltage at an output terminal for the specified output current I_{OH} and at the minimum V_{CC} value.
V_{OLMax}	Output Low voltage: The maximum guaranteed Low voltage at an output terminal sinking the specified load current I_{OL} .
V_{T+}	Positive-going threshold voltage: The input voltage of a variable threshold device which causes operation according to specification as the input transition rises from below V_{T-} (Min).

V_{T-} **Negative-going threshold voltage:** The input voltage of a variable threshold device which causes operation according to specification as the input transition falls from above V_{T+} (Max).

Currents — Positive current is defined as conventional current flow into a device. Negative current is defined as conventional current flow out of a device. All current limits are specified as absolute values.

I_{CC}	Supply current: The current flowing into the V_{CC} supply terminal of the circuit with specified input conditions and open outputs. Input conditions are chosen to guarantee worst-case operation unless specified.
I_I	Input leakage current: The current flowing into an input when the maximum allowed voltage is applied to the input. This parameter guarantees the minimum breakdown voltage for the input.
I_{IH}	Input High current: The current flowing into an input when a specified High-level voltage is applied to that input.
I_{IL}	Input Low current: The current flowing out of an input when a specified Low-level voltage is applied to that input.
I_O	Output current: The output current that is approximately one half of the true short-circuit output current (I_{OS}).
I_{OH}	Output High current: The leakage current flowing into a turned off Open-Collector output with a specified High output voltage applied. For devices with a pull-up circuit, the I_{OH} is the current flowing out of an output which is in the High state.
I_{OL}	Output Low current: The current flowing into an output which is the Low state.
I_{OS}	Output short-circuit current: The current flowing out of an output which is in the High state when that output is short circuit to ground.
I_{OZH}	Output off current High: The current flowing into a disabled 3-State output with a specified High output voltage applied.

I_{OZL} **Output off current Low:** The current flowing out of a disabled 3-State output with a specified Low output voltage applied.

AC SYMBOLS AND DEFINITIONS

f_{MAX}	Maximum clock frequency: The maximum input frequency at a Clock input for predictable performance. Above this frequency the device may cease to function.
t_{PLH}	Propagation delay time: The time between the specified reference points on the input and output waveforms with the output changing from the defined Low level to the defined High level.
t_{PHL}	Propagation delay time: The time between the specified reference points on the input and output waveforms with the output changing from the defined High level to the defined Low level.
t_{PHZ}	Output disable time from High level of a 3-State output: The delay time between the specified reference points on the input and output voltage waveforms with the 3-State output changing from the High level to a high-impedance "OFF" state.
t_{PLZ}	Output disable time from Low level of a 3-State output: The delay time between the specified reference points on the input and output voltage waveforms with the 3-State output changing from the Low level to a high-impedance "OFF" state.
t_{PZH}	Output enable time to a High level of a 3-State output: The delay time between the specified reference points on the input and output voltage waveforms with the 3-State output changing from a high-impedance "OFF" state to High level.
t_{PZL}	Output enable time to a Low level of a 3-State output: The delay time between the specified reference points on the input and output voltage waveforms with the 3-State output changing from a high-impedance "OFF" state to Low level.

Design Considerations

INTRODUCTION

The properties of ALS logic circuits dictate that care be taken in the design and layout of a system.

Some general design considerations are included in this section. This is not intended to be a thorough guideline for designing ALS systems, but a reference for some of the constraints and techniques to be considered when designing a high-speed system.

HANDLING PRECAUTIONS

As described in the Circuit Characteristics section, ALS devices are susceptible to damage from electrostatic discharge (ESD).

- Signetics ALS devices are shipped in conducting foam or anti-static tubes and foil-lined boxes to minimize ESD during shipment and unloading.
- Before opening the shipment of ALS devices, make sure that the individual is grounded and all handling means (such as tools, fixtures, and benches) are grounded.
- After removal from the shipping material, the leads of the ALS devices should always be grounded. In other words, ALS devices should be placed leads-down on a grounded surface, since ungrounded leads will attract static charge.
- Do not insert or remove devices in sockets with power applied. Ensure that power supply transients, such as occur during power turn on-off, do not exceed absolute maximum ratings.
- After assembly on PC boards, ensure that ESD is minimized during handling, storage or maintenance.
- ALS inputs should never be left floating on a PC board. This precaution applies to any TTL family. As a temporary measure, a resistor with a resistance greater than $10k\Omega$ should be soldered on the open input. The resistor will limit accidental damage if the PC board is removed and brought into contact with static-generating materials.

INPUT CLAMPING

ALS circuits are provided with clamp diodes on the device inputs to minimize negative ringing effects. These diodes should not be used to clamp negative DC voltages or long-duration, negative pulses.

UNUSED INPUTS

Proper digital design rules dictate that all unused inputs on TTL devices be tied either High or Low. This is especially important with ALS logic.

Electrically-open inputs can degrade AC noise immunity as well as the switching speed of the device. Tying inputs to V_{CC} or GND, directly or through a resistor, protects the device from in-circuit electrostatic damage.

ALS devices do not require an input resistor to tie the input High. Inputs can be connected directly to V_{CC} as well as ground.

Possible ways of handling unused inputs are:

1. Unused active-High NAND or AND inputs to V_{CC} . The inputs should be maintained at a voltage greater than 2.7V, but should not exceed the absolute maximum rating.
2. Connect unused active-High NOR or OR inputs to ground.
3. Tie unused active-High NAND or AND inputs to a used input of the same gate, provided that the High-level fanout of the driving circuit is not impaired.
4. Connect the unused active-High NAND or AND inputs to the output of an unused gate that is forced High.

MIXING ALS WITH OTHER TTL FAMILIES

Mixing the slower TTL families such as 74 and 74ALS with the higher speed families such as 74ALS is possible but must be done with caution. Each family of TTL devices has unique input and output characteristics optimized to achieve the desired speed or power features.

The speed/power characteristics of the ALS devices are achieved partially by the internal rise and fall times, as well as those at input and output nodes. These transitions can cause noise of various types in a system. Power and ground line noise are generated by the transitions of the current in the output load capacitance. Signal line noise can also be generated by the output transitions.

The noise generated by ALS devices can be minimized in systems designed with shorter signal lines, good ground planes, well-bypassed power distribution networks, layouts that minimize adjacent signal lines that run parallel, and improved impedance matching in signal lines to reduce transmission line-type reflections.

INPUT LOADING AND OUTPUT DRIVE COMPARISON

The logic levels of all TTL products are fully compatible with each other. However, the input loading and output drive characteristics of each family are different and must be taken into consideration when mixing them in a system. Table 1 shows the relative drive capabilities of each family for commercial temperature and voltage ranges.

INPUT-OUTPUT LOADING AND FAN-OUT TABLE

For convenience in system design, the input-output loading and fan-out characteristics of each circuit are specified in terms of unit loads and actual load value. One ALS Unit Load (U.L.) in the High state is defined as $20\mu A$; thus both the input High leakage current, I_{IH} , and output High current-sourcing capability, I_{OH} , are normalized to $20\mu A$.

Similarly, one ALS Unit Load (U.L.) in the Low state is defined as 0.1mA and both the input Low current, I_{IL} , and the output Low current-sinking capability, I_{OL} , are normalized to 0.1mA.

For added convenience, the actual load value in amperes is listed in the column adjacent to U.L.

CLOCK PULSE REQUIREMENTS

All ALS Clock inputs are buffered to increase their tolerance of slow positive-clock edges and heavy ground noise. Nevertheless, the rise time on positive-edge-triggered devices should be less than the nominal clock-to-output delay time measured between 0.8V to 2.0V levels of the clock driver for added safety margin against heavy ground noise. Not only a fast rising, clean Clock pulse is required, but the path between the clock driver and clock input of the device should be well-shielded from electromagnetic noise.

ALS OUTPUTS TIED TOGETHER

The only ALS outputs that are designed to be tied together are Open-Collector and 3-State outputs. Standard ALS outputs should not be tied together unless their logic levels will always be the same; either all High or all Low. When connecting Open-Collector or 3-State outputs together, some general guidelines must be observed.

Design Considerations

Table 1. Loading Comparisons

DRIVEN DEVICE FAMILY		74F	74F (NPN)	74LS	74	74S	74ALS
Driving Device Family	I _{OL} (Min)	I _{IL} (Max)					
		0.6mA	20μA	0.4mA	1.6mA	2.0mA	0.1mA
		Maximum Number of Loads Driven					
74F	20mA	33	1,000	50	12.5	10	200
74F (NPN)	64mA	106	3,200	160	40	32	640
74LS	8mA	13	400	20	5	4	80
74LS Buffer	24mA	40	1,200	60	15	12	240
74	16mA	26	800	40	10	8	160
74 Buffer	40mA	78	2,400	120	30	24	400
74S	20mA	33	1,000	50	12.5	10	200
74S Buffer	60mA	100	3,000	150	37.5	30	600
74ALS	8mA	13	400	20	5	4	80
74ALS Buffer	24mA	40	1,200	60	15	12	240
74ALS -1 version	48mA	80	2,400	120	30	24	480

Open-Collector Outputs

These devices must be used whenever two or more OR-tied outputs will be at opposite logic levels at the same time. These devices must have a pull-up resistor (or resistors) added between the OR-tie connector and V_{CC} to establish an active-High level. Only special high-voltage buffers can be tied to a higher voltage than V_{CC}. The minimum and maximum size of the pull-up resistor is determined as follows:

$$R (\text{Min}) = \frac{V_{CC} (\text{Max}) - V_{OL}}{I_{OL} - N_2 (I_{IL})}$$

$$R (\text{Max}) = \frac{V_{CC} (\text{Min}) - V_{OH}}{N_1 (I_{OH}) + N_2 (I_{IH})}$$

- where: I_{OL} = Minimum I_{OL} guarantee or OR-tied elements.
 N₂ (I_{IL}) = Cumulative maximum input Low current for all inputs tied to OR-tie connection.
 N₁ (I_{OH}) = Cumulative maximum output High leakage current for all outputs tied to OR-tie connection.
 N₂ (I_{IH}) = Cumulative maximum input High leakage current for all inputs tied to OR-tie connection.

If a resistor divider network is used to provide the High level, the R (Max) must be decreased enough to provide the required [(V_{OH}/R (pull-down)) current].

3-State Outputs

3-State outputs are designed to be tied together, but are not designed to be active

simultaneously. In order to minimize noise and protect the outputs from excessive power dissipation, only one 3-State output should be active at any time. This generally requires that the output enable signals be non-overlapping. When TTL decoders are used to enable 3-State outputs, the decoder should be disabled while the address is being changed. Since all TTL decoder outputs are subject to decoding spikes, non-overlapping signals cannot normally guarantee when the address is changing.

Since most 3-State output enable signals are active-Low, shift registers or edge-triggered storage registers provide good output enable buffers. Shift registers with one circulating Low bit, such as the 'ALS164 is ideal for sequential enable signals. The 'ALS174 or 'ALS273 can be used to buffer enable signals from TTL decoders or microcode (ROM) devices. Since the outputs of these registers will change from Low-to-High faster than from High-to-Low, the selection of one device at a time is assured.

GND

Good system design starts with a well thought out ground layout. Try to use ground plane if possible. This will save headaches later on. If ground strip is used, try to reduce ground path in order to minimize ground inductance. This prevents crosstalk problems. Quite often, jumper wire is used for connecting to ground at the breadboarding stage, but a solid ground must be used even at the breadboarding stage.

V_{CC}

Typical dynamic impedance of un-bypassed V_{CC} runs from 50Ω to 100Ω, depending on V_{CC} and GND configuration. This is why a sudden current demand, due to an IC output switching, can cause momentary reduction in V_{CC} unless a bypass (decoupling) capacitor is located near V_{CC}.

Not only is there a sudden current demand due to output switching transient, there is also a heavy current demand by the buffer driver. Assuming the buffer output sees a 50Ω dynamic load and the buffer Low-to-High transition is 2.5V, the current demand is 50mA per buffer. If it is an octal buffer, the current demand could be 0.4mA per package in 3ns time!

The next step is to figure out the capacitance requirement for each bypass capacitor. Using the previously-mentioned octal buffer and assuming the V_{CC} droop is 0.1V, then C is:

$$C = \frac{0.4A \times 3 \times 10^{-9} \text{ sec}}{0.1V} = 12 \times 10F^{-9} = 0.012\mu F$$

This formula is derived as follows:
 cQ = CV

by differentiation:

$$\frac{\Delta Q}{\Delta t} = C \frac{\Delta V}{\Delta t}$$

$$\text{Since } \frac{\Delta Q}{\Delta t} = I$$

$$\text{the equation becomes } I = C \frac{\Delta V}{\Delta t}$$

Design Considerations

hence, $C = \frac{I\Delta t}{\Delta V}$

Select the C bypass $\geq 0.02\mu\text{F}$ and try to use a high-quality RF capacitor. Place one bypass capacitor for each buffer and one bypass capacitor every two other types of IC packages. Make sure that the leads are cut as short as possible.

In addition, place bypass capacitors on a board to take care of board-level current transients.

CROSS TALK

The best way to handle cross talk is to prevent it from occurring in the first place;

quick-fixes are troublesome and costly. To prevent cross-talk, maximize spacing between signal lines and minimize spacing between signal lines and ground lines. Preferably, place ground lines between signal lines. For added precaution, add a ground trace alongside either the potential cross-talker or the cross-listener.

For backplane or wire-wrap, use twisted pair for sensitive functions such as clocks, asynchronous set or reset, or asynchronous parallel load. In flat cable, make every other conductor ground.

For multilayer P.C. boards, run signal lines in adjacent planes perpendicular to prevent

magnetic coupling, and limit capacitive coupling. Use power shield (V_{CC} or ground plane) in between signal planes.

Since any voltage change, noise or otherwise, arriving at the unterminated end of transmission lines double in amplitude, even a partially terminated line reduces the amplitude of the signal (noise or otherwise) appearing at the end of the line; therefore, using a terminating resistor whose value is equal to the line characteristics impedance will help reduce cross-talk.

Section 5

74ALS Series

Data Sheets

INDEX

74ALS00A	Quad 2-Input NAND Gates	5-3
74ALS02	Quad 2-Input NOR Gates	5-6
74ALS04B	Hex Inverters	5-9
74ALS08	Quad 2-Input AND Gates	5-12
74ALS10A	Triple 3-Input NAND Gates	5-15
74ALS11A	Triple 3-Input AND Gates	5-18
74ALS20A	Dual 4-Input NAND Gates	5-21
74ALS27	Triple 3-Input NOR Gates	5-24
74ALS30A	8-Input NAND Gate	5-27
74ALS32	Quad 2-Input OR Gates	5-30
74ALS38A	Quad Two-Input NAND Buffer (Open Collector)	5-33
74ALS74A	Dual D-Type Flip-Flops with Set and Reset	5-36
74ALS86	Quad 2-Input Exclusive-Or Gates	5-41
74ALS109A	Dual JK Positive Edge-Triggered Flip-Flops with Set and Reset	5-44
74ALS112A	Dual JK Negative Edge-Triggered Flip-Flop	5-49
74ALS138	1-of-8 Decoder/Demultiplexer	5-54
74ALS139	Dual 1-of-4 Decoder/Demultiplexer	5-58
74ALS151	8-Input Multiplexer	5-62
74ALS153	Dual 4-Input Multiplexer	5-66
74ALS157/	Quad 2-Input Data Selector/Multiplexer, NINV	5-70
74ALS158	Quad 2-Input Data Selector/Multiplexer, INV	5-70
74ALS161B/	4-Bit Binary Counter, Asynchronous Reset	5-74
74ALS163B	4-Bit Binary Counter, Synchronous Reset	5-74
74ALS164	8-Bit Serial-In Parallel-Out Shift Register	5-82
74ALS174	Hex D Flip-Flops	5-87
74ALS175	Quad D Flip-Flops	5-91
74ALS191	Up/Down Binary Counter with Reset and Ripple Clock	5-95
74ALS193	Synchronous Presettable 4-Bit Binary Counter with Separate Up/Down Clocks	5-101
74ALS240A/240A-1	Octal Inverter Buffer (3-State)	5-107
74ALS241A/241A-1	Octal Buffer (3-State)	5-111
74ALS244A/244A-1	Octal Buffer (3-State)	5-115
74ALS245A/245A-1	Octal Bus Transceivers (3-State)	5-119
74ALS251	8-Input Multiplexer (3-State)	5-123
74ALS253	Dual 4-Input Multiplexer (3-State)	5-128
74ALS257/	Quad 2-Input Data Selector/Multiplexer, NINV (3-State)	5-132
74ALS258	Quad 2-Input Data Selector/Multiplexer, INV (3-State)	5-132
74ALS273	Octal D Flip-Flop	5-137
74ALS373/	Octal Transparent Latch (3-State)	5-142
74ALS374	Octal D Flip-Flop (3-State)	5-142

Section 5 74ALS Series

74ALS377	Octal D Flip-Flop with Enable	5-149
74ALS543/543-1/	Octal Registered Transceiver, NINV (3-State)	5-154
74ALS544/544-1	Octal Registered Transceiver, INV (3-State)	5-154
74ALS563A/	Octal Transparent Latch, INV (3-State)	5-161
74ALS564A	Octal D Flip-Flop, INV (3-State)	5-161
74ALS573B/	Octal Transparent Latch (3-State)	5-168
74ALS574A	Octal D Flip-Flop (3-State)	5-168
74ALS620A/620A-1/	Octal Bus Transceiver, INV (3-State)	5-175
74ALS623A/623A-1	Octal Bus Transceiver, NINV (3-State)	5-175
74ALS645A/645A-1	Octal Bus Transceivers (3-State)	5-181
74ALS646/646-1/	Octal Transceiver/Register, NINV (3-State)	5-185
74ALS648/648-1	Octal Transceiver/Register, INV (3-State)	5-185
74ALS651/651-1/	Octal Transceiver/Register, INV (3-State)	5-192
74ALS652/652-1	Octal Transceiver/Register, NINV (3-State)	5-192

74ALS00A

Quad 2-Input NAND Gates

Product Specification

FUNCTION TABLE

INPUTS		OUTPUT
A	B	\bar{Y}
H	H	L
L	X	H
X	L	H

NOTES:

H = High voltage level
L = Low voltage level
X = Don't care

TYPE	TYPICAL PROPAGATION DELAY	TYPICAL SUPPLY CURRENT (TOTAL)
74ALS00A	4.0 ns	1.0 mA

ORDERING INFORMATION

PACKAGES	COMMERCIAL RANGE $V_{CC} = 5V \pm 10\%$; $T_A = 0^\circ C$ to $+70^\circ C$
14-Pin Plastic DIP	74ALS00AN
14-Pin Plastic SO	74ALS00AD

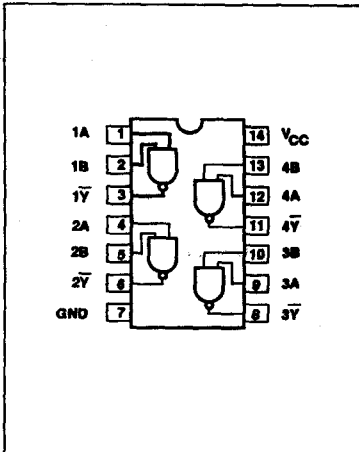
INPUT AND OUTPUT LOADING AND FAN-OUT TABLE

PINS	DESCRIPTION	74ALS(U.L.) HIGH/LOW	LOAD VALUE HIGH/LOW
nA, nB	Data inputs	1.0/1.0	20 μ A/0.1mA
n \bar{Y}	Data Output	20/80	0.4mA/8mA

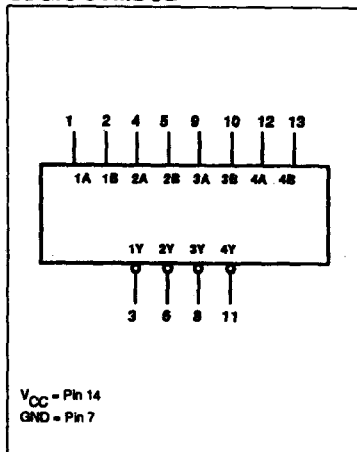
NOTE:

One (1.0) ALS Unit Load is defined as: 20 μ A in the High state and 0.1mA in the Low state.

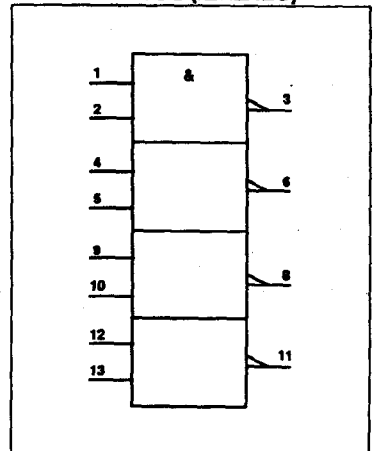
PIN CONFIGURATION



LOGIC SYMBOL



LOGIC SYMBOL (IEEE/IEC)



Quad 2-Input NAND Gates

74ALS00A

ABSOLUTE MAXIMUM RATINGS (Operation beyond the limits set forth in this table may impair the useful life of the device. Unless otherwise noted these limits are over the operating free-air temperature range.)

SYMBOL	PARAMETER	RATING	UNIT
V_{CC}	Supply voltage	-0.5 to +7.0	V
V_{IN}	Input voltage	-0.5 to +7.0	V
I_{IN}	Input current	-30 to +5	mA
V_{OUT}	Voltage applied to output in High output state	-0.5 to V_{CC}	V
I_{OUT}	Current applied to output in Low output state	16	mA
T_A	Operating free-air temperature range	0 to +70	°C
T_{STG}	Storage temperature	-65 to +150	°C

RECOMMENDED OPERATING CONDITIONS

SYMBOL	PARAMETER	LIMITS			UNIT
		Min	Nom	Max	
V_{CC}	Supply voltage	4.5	5.0	5.5	V
V_{IH}	High-level input voltage	2.0			V
V_{IL}	Low-level input voltage			0.8	V
I_{IK}	Input clamp current			-18	mA
I_{OH}	High-level output current			-0.4	mA
I_{OL}	Low-level output current			8	mA
T_A	Operating free-air temperature range	0		70	°C

DC ELECTRICAL CHARACTERISTICS (Over recommended operating free-air temperature range unless otherwise noted.)

SYMBOL	PARAMETER	TEST CONDITIONS ¹	LIMITS			UNIT			
			Min	Typ ²	Max				
V_{OH}	High-level output voltage	$V_{CC} \pm 10\%$, $V_{IL} = \text{MAX}$, $V_{IH} = \text{MIN}$, $I_{OH} = \text{MAX}$	$V_{CC} - 2$			V			
V_{OL}	Low-level output voltage	$V_{CC} = \text{MIN}$, $V_{IL} = \text{MAX}$, $V_{IH} = \text{MIN}$			$I_{OL} = 4\text{mA}$	0.25	0.4	V	
					$I_{OL} = 8\text{mA}$	0.35	0.5	V	
V_{IK}	Input clamp voltage	$V_{CC} = \text{MIN}$, $I_I = I_{IK}$				-1.5	V		
I_I	Input current at maximum input voltage	$V_{CC} = \text{MAX}$, $V_I = 7.0\text{V}$				0.1	mA		
I_{IH}	High-level input current	$V_{CC} = \text{MAX}$, $V_I = 2.7\text{V}$				20	μA		
I_{IL}	Low-level input current	$V_{CC} = \text{MAX}$, $V_I = 0.4\text{V}$				-0.1	mA		
I_O	Output current ³	$V_{CC} = \text{MAX}$, $V_O = 2.25\text{V}$				-30	-112	mA	
I_{CC}	Supply current (total)	$V_{CC} = \text{MAX}$				$V_I = 0\text{V}$	0.5	0.85	mA
						$V_I = 4.5\text{V}$	1.5	3.0	mA

NOTES:

- For conditions shown as MIN or MAX, use the appropriate value specified under recommended operating conditions for the applicable type.
- All typical values are at $V_{CC} = 5\text{V}$, $T_A = 25^\circ\text{C}$.
- The output conditions have been chosen to produce current that closely approximates one half of the true short-circuit output current, I_{OS} .

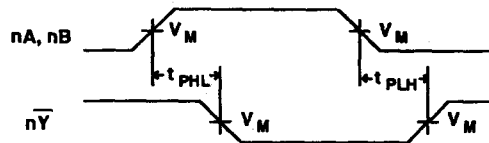
Quad 2-Input NAND Gates

74ALS00A

AC ELECTRICAL CHARACTERISTICS

SYMBOL	PARAMETER	TEST CONDITIONS	LIMITS		UNIT
			$T_A = 0^\circ\text{C to } +70^\circ\text{C}$ $V_{CC} = 5\text{V} \pm 10\%$ $R_L = 500\Omega$ $C_L = 50\text{pF}$		
			Min	Max	
t_{PLH} t_{PHL}	Propagation delay nA or nB to nY	Waveform 1	2.0 2.0	11.0 8.0	ns

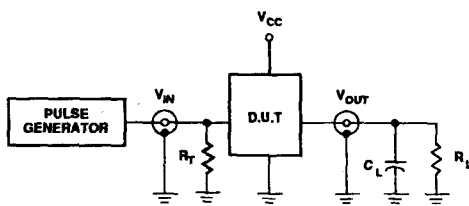
AC WAVEFORM



Waveform 1. Propagation Delay for Data to Output

NOTE: $V_M = 1.3\text{V}$

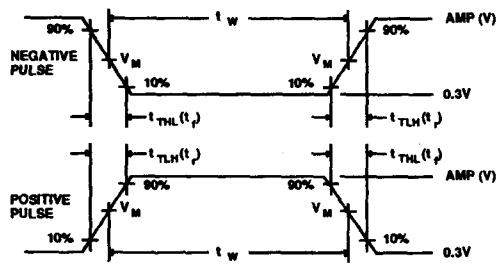
TEST CIRCUIT AND WAVEFORMS



Test Circuit for Totem-Pole Outputs

DEFINITIONS

- R_L = Load resistor; see AC CHARACTERISTICS for value.
- C_L = Load capacitance includes jig and probe capacitance; see AC CHARACTERISTICS for value.
- R_T = Termination resistance should be equal to Z_{OUT} of pulse generators.



$V_M = 1.3\text{V}$

Input Pulse Definition

FAMILY	INPUT PULSE REQUIREMENTS				
	Amplitude	Rep. Rate	t_W	t_{TLH}	t_{THL}
74ALS	3.5V	1MHz	500ns	2.0ns	2.0ns

74ALS02

Quad 2-Input NOR Gates

Product Specification

FUNCTION TABLE

INPUTS		OUTPUT
A	B	\bar{Y}
H	X	L
X	H	L
L	L	H

NOTES:

H = High voltage level
L = Low voltage level
X = Don't care

TYPE	TYPICAL PROPAGATION DELAY	TYPICAL SUPPLY CURRENT (TOTAL)
74ALS02	4.0 ns	1.0 mA

ORDERING INFORMATION

PACKAGES	COMMERCIAL RANGE $V_{CC} = 5V \pm 10\%$; $T_A = 0^\circ C$ to $+70^\circ C$
14-Pin Plastic DIP	74ALS02N
14-Pin Plastic SO	74ALS02D

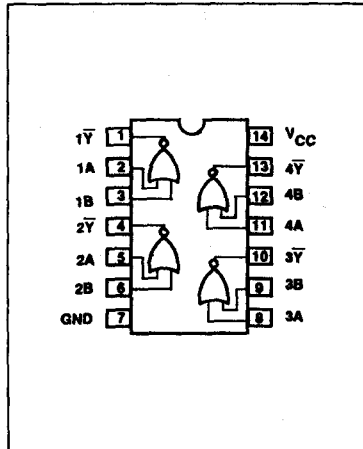
INPUT AND OUTPUT LOADING AND FAN-OUT TABLE

PINS	DESCRIPTION	74ALS(U.L.) HIGH/LOW	LOAD VALUE HIGH/LOW
nA, nB	Data inputs	1.0/1.0	20 μ A/0.1mA
n \bar{Y}	Data Output	20/80	0.4mA/8mA

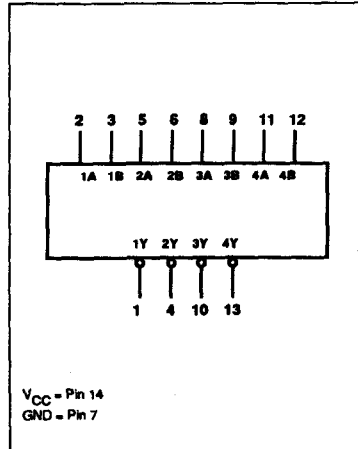
NOTE:

One (1.0) ALS Unit Load is defined as: 20 μ A in the High state and 0.1mA in the Low state.

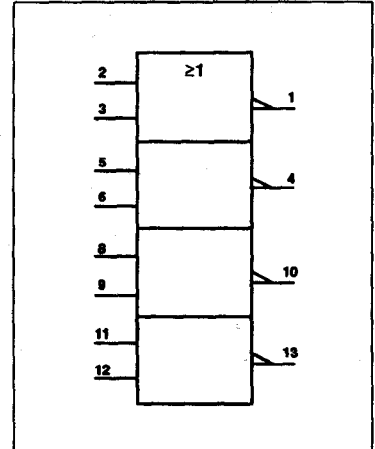
PIN CONFIGURATION



LOGIC SYMBOL



LOGIC SYMBOL (IEEE/IEC)



Quad 2-Input NOR Gates

74ALS02

ABSOLUTE MAXIMUM RATINGS (Operation beyond the limits set forth in this table may impair the useful life of the device. Unless otherwise noted these limits are over the operating free-air temperature range.)

SYMBOL	PARAMETER	RATING	UNIT
V_{CC}	Supply voltage	-0.5 to +7.0	V
V_{IN}	Input voltage	-0.5 to +7.0	V
I_{IN}	Input current	-30 to +5	mA
V_{OUT}	Voltage applied to output in High output state	-0.5 to $+V_{CC}$	V
I_{OUT}	Current applied to output in Low output state	16	mA
T_A	Operating free-air temperature range	0 to +70	°C
T_{STG}	Storage temperature	-65 to +150	°C

RECOMMENDED OPERATING CONDITIONS

SYMBOL	PARAMETER	LIMITS			UNIT
		Min	Nom	Max	
V_{CC}	Supply voltage	4.5	5.0	5.5	V
V_{IH}	High-level input voltage	2.0			V
V_{IL}	Low-level input voltage			0.8	V
I_{IK}	Input clamp current			-18	mA
I_{OH}	High-level output current			-0.4	mA
I_{OL}	Low-level output current			8	mA
T_A	Operating free-air temperature range	0		70	°C

DC ELECTRICAL CHARACTERISTICS (Over recommended operating free-air temperature range unless otherwise noted.)

SYMBOL	PARAMETER	TEST CONDITIONS ¹	LIMITS			UNIT
			Min	Typ ²	Max	
V_{OH}	High-level output voltage	$V_{CC} \pm 10\%$, $V_{IL} = \text{MAX}$, $V_{IH} = \text{MIN}$, $I_{OH} = \text{MAX}$	$V_{CC} - 2$			V
V_{OL}	Low-level output voltage	$V_{CC} = \text{MIN}$, $V_{IL} = \text{MAX}$, $V_{IH} = \text{MIN}$	$I_{OL} = 4\text{mA}$	0.25	0.4	V
			$I_{OL} = 8\text{mA}$	0.35	0.5	V
V_{IK}	Input clamp voltage	$V_{CC} = \text{MIN}$, $I_I = I_{IK}$			-1.5	V
I_I	Input current at maximum input voltage	$V_{CC} = \text{MAX}$, $V_I = 7.0\text{V}$			0.1	mA
I_{IH}	High-level input current	$V_{CC} = \text{MAX}$, $V_I = 2.7\text{V}$			20	μA
I_{IL}	Low-level input current	$V_{CC} = \text{MAX}$, $V_I = 0.4\text{V}$			-0.1	mA
I_O	Output current ³	$V_{CC} = \text{MAX}$, $V_O = 2.25\text{V}$	-30		-112	mA
I_{CC}	Supply current (total)	$V_{CC} = \text{MAX}$	$V_I = 0\text{V}$	0.86	2.2	mA
			$V_I = 4.5\text{V}$	2.16	4.0	mA

NOTES:

- For conditions shown as MIN or MAX, use the appropriate value specified under recommended operating conditions for the applicable type.
- All typical values are at $V_{CC} = 5\text{V}$, $T_A = 25^\circ\text{C}$.
- The output conditions have been chosen to produce current that closely approximates one half of the true short-circuit output current, I_{OS} .

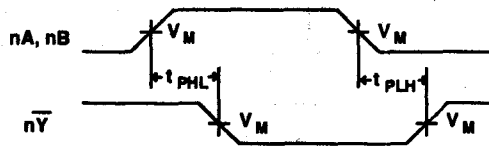
Quad 2-Input NOR Gates

74ALS02

AC ELECTRICAL CHARACTERISTICS

SYMBOL	PARAMETER	TEST CONDITIONS	LIMITS		UNIT
			$T_A = 0^\circ\text{C to } +70^\circ\text{C}$		
			$V_{CC} = 5\text{V} \pm 10\%$ $R_L = 500\Omega$ $C_L = 50\text{pF}$		
			Min	Max	
t_{PLH} t_{PHL}	Propagation delay nA or nB to nY	Waveform 1	2.0 2.0	12.0 10.0	ns

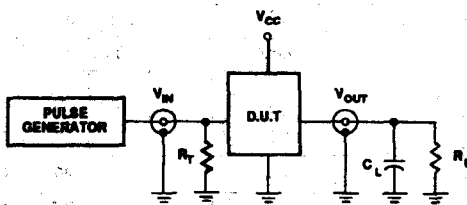
AC WAVEFORM



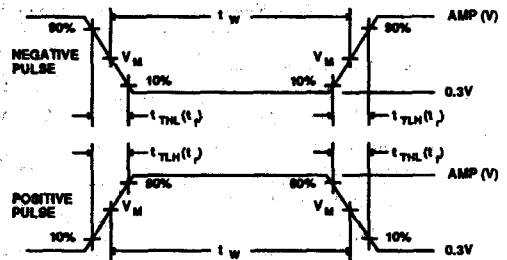
Waveform 1. Propagation Delay for Data to Output

NOTE: $V_M = 1.3\text{V}$

TEST CIRCUIT AND WAVEFORMS



Test Circuit for Totem-Pole Outputs



$V_M = 1.3\text{V}$

Input Pulse Definition

DEFINITIONS

R_L = Load resistor; see AC CHARACTERISTICS for value.

C_L = Load capacitance includes jig and probe capacitance; see AC CHARACTERISTICS for value.

R_T = Termination resistance should be equal to Z_{OUT} of pulse generators.

FAMILY	INPUT PULSE REQUIREMENTS				
	Amplitude	Rep. Rate	t_w	t_{TLH}	t_{THL}
74ALS	3.5V	1MHz	500ns	2.0ns	2.0ns

74ALS04B

Hex Inverters

Product Specification

FUNCTION TABLE

INPUT	OUTPUT
A	\bar{Y}
L	H
H	L

NOTES:

H = High voltage level
L = Low voltage level

TYPE	TYPICAL PROPAGATION DELAY	TYPICAL SUPPLY CURRENT (TOTAL)
74ALS04B	3.5 ns	2.0 mA

ORDERING INFORMATION

PACKAGES	COMMERCIAL RANGE $V_{CC} = 5V \pm 10\%$; $T_A = 0^\circ C$ to $+70^\circ C$
14-Pin Plastic DIP	74ALS04BN
14-Pin Plastic SO	74ALS04BD

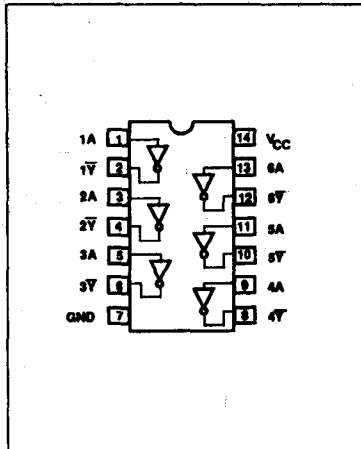
INPUT AND OUTPUT LOADING AND FAN-OUT TABLE

PINS	DESCRIPTION	74ALS(U.L.) HIGH/LOW	LOAD VALUE HIGH/LOW
nA	Data input	1.0/1.0	20 μ A/0.1mA
n \bar{Y}	Data Output	20/80	0.4mA/8mA

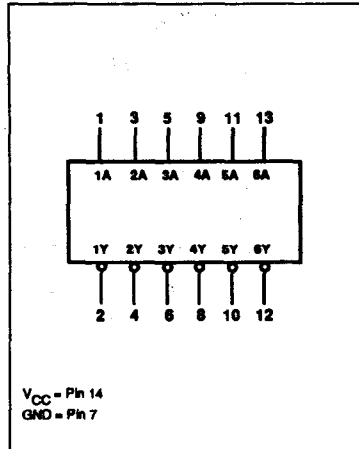
NOTE:

One (1.0) ALS Unit Load is defined as: 20 μ A in the High state and 0.1mA in the Low state.

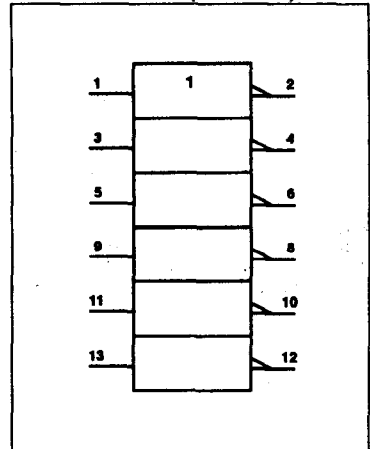
PIN CONFIGURATION



LOGIC SYMBOL



LOGIC SYMBOL (IEEE/IEC)



Hex Inverters

74ALS04B

ABSOLUTE MAXIMUM RATINGS (Operation beyond the limits set forth in this table may impair the useful life of the device. Unless otherwise noted these limits are over the operating free-air temperature range.)

SYMBOL	PARAMETER	RATING	UNIT
V_{CC}	Supply voltage	-0.5 to +7.0	V
V_{IN}	Input voltage	-0.5 to +7.0	V
I_{IN}	Input current	-30 to +5	mA
V_{OUT}	Voltage applied to output in High output state	-0.5 to + V_{CC}	V
I_{OUT}	Current applied to output in Low output state	16	mA
T_A	Operating free-air temperature range	0 to +70	°C
T_{STG}	Storage temperature	-65 to +150	°C

RECOMMENDED OPERATING CONDITIONS

SYMBOL	PARAMETER	LIMITS			UNIT
		Min	Nom	Max	
V_{CC}	Supply voltage	4.5	5.0	5.5	V
V_{IH}	High-level input voltage	2.0			V
V_{IL}	Low-level input voltage			0.8	V
I_{IK}	Input clamp current			-18	mA
I_{OH}	High-level output current			-0.4	mA
I_{OL}	Low-level output current			8	mA
T_A	Operating free-air temperature range	0		70	°C

DC ELECTRICAL CHARACTERISTICS (Over recommended operating free-air temperature range unless otherwise noted.)

SYMBOL	PARAMETER	TEST CONDITIONS ¹	LIMITS			UNIT
			Min	Typ ²	Max	
V_{OH}	High-level output voltage	$V_{CC} \pm 10\%$, $V_{IL} = \text{MAX}$, $V_{IH} = \text{MIN}$, $I_{OH} = \text{MAX}$	$V_{CC} - 2$			V
V_{OL}	Low-level output voltage	$V_{CC} = \text{MIN}$, $V_{IL} = \text{MAX}$, $V_{IH} = \text{MIN}$		0.25	0.4	V
				0.35	0.5	V
V_{IK}	Input clamp voltage	$V_{CC} = \text{MIN}$, $I_I = I_{IK}$			-1.2	V
I_I	Input current at maximum input voltage	$V_{CC} = \text{MAX}$, $V_I = 7.0V$			0.1	mA
I_{IH}	High-level input current	$V_{CC} = \text{MAX}$, $V_I = 2.7V$			20	µA
I_{IL}	Low-level input current	$V_{CC} = \text{MAX}$, $V_I = 0.4V$			-0.1	mA
I_O	Output current ³	$V_{CC} = \text{MAX}$, $V_O = 2.25V$	-30		-112	mA
I_{CC}	Supply current (total)	$V_{CC} = \text{MAX}$		0.75	1.1	mA
				3.2	4.2	mA

- NOTES:**
- For conditions shown as MIN or MAX, use the appropriate value specified under recommended operating conditions for the applicable type.
 - All typical values are at $V_{CC} = 5V$, $T_A = 25^\circ\text{C}$.
 - The output conditions have been chosen to produce current that closely approximates one half of the true short-circuit output current, I_{OS} .

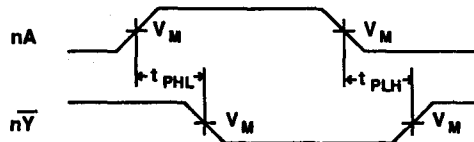
Hex Inverters

74ALS04B

AC ELECTRICAL CHARACTERISTICS

SYMBOL	PARAMETER	TEST CONDITIONS	LIMITS		UNIT
			$T_A = 0^{\circ}\text{C to } +70^{\circ}\text{C}$ $V_{CC} = 5\text{V} \pm 10\%$ $R_L = 500\Omega$ $C_L = 50\text{pF}$		
			Min	Max	
t_{PLH} t_{PHL}	Propagation delay nA to nY	Waveform 1	2.0 2.0	11.0 8.0	ns

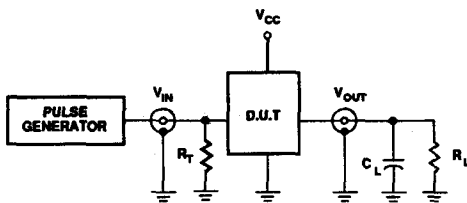
AC WAVEFORM



Waveform 1. Propagation Delay for Data to Output

NOTE: $V_M = 1.3\text{V}$

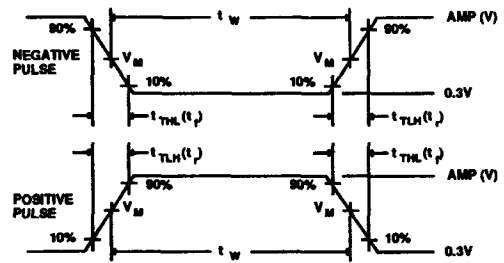
TEST CIRCUIT AND WAVEFORMS



Test Circuit for Totem-Pole Outputs

DEFINITIONS

- R_L = Load resistor; see AC CHARACTERISTICS for value.
- C_L = Load capacitance includes jig and probe capacitance; see AC CHARACTERISTICS for value.
- R_T = Termination resistance should be equal to Z_{OUT} of pulse generators.



$V_M = 1.3\text{V}$

Input Pulse Definition

FAMILY	INPUT PULSE REQUIREMENTS				
	Amplitude	Rep. Rate	t_w	t_{TLH}	t_{THL}
74ALS	3.5V	1MHz	500ns	2.0ns	2.0ns

74ALS08

Quad 2-Input AND Gates

Product Specification

FUNCTION TABLE

INPUTS		OUTPUT
A	B	Y
H	H	H
L	X	L
X	L	L

NOTES:

- H = High voltage level
- L = Low voltage level
- X = Don't care

TYPE	TYPICAL PROPAGATION DELAY	TYPICAL SUPPLY CURRENT (TOTAL)
74ALS08	5.0 ns	1.8 mA

ORDERING INFORMATION

PACKAGES	COMMERCIAL RANGE $V_{CC} = 5V \pm 10\%$; $T_A = 0^\circ C$ to $+70^\circ C$
14-Pin Plastic DIP	74ALS08N
14-Pin Plastic SO	74ALS08D

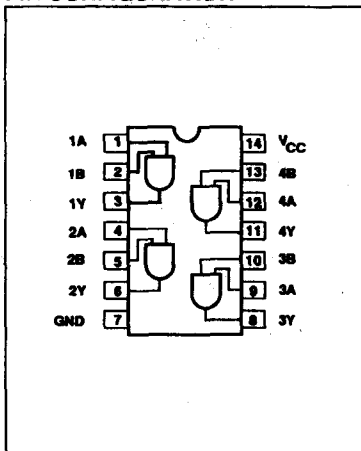
INPUT AND OUTPUT LOADING AND FAN-OUT TABLE

PINS	DESCRIPTION	74ALS(U.L.) HIGH/LOW	LOAD VALUE HIGH/LOW
nA, nB	Data Inputs	1.0/1.0	20 μ A/0.1mA
nY	Data Output	20/80	0.4mA/8mA

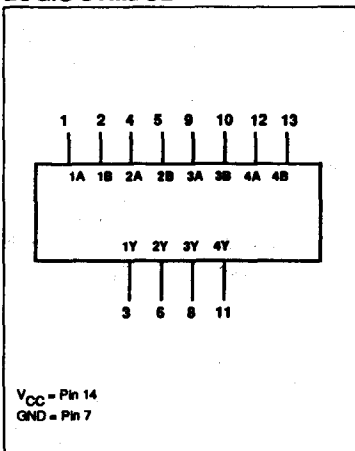
NOTE:

One (1.0) ALS Unit Load is defined as: 20 μ A in the High state and 0.1mA in the Low state.

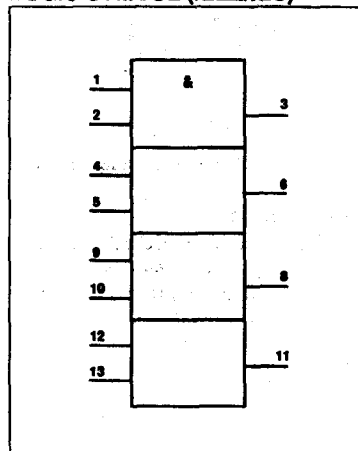
PIN CONFIGURATION



LOGIC SYMBOL



LOGIC SYMBOL (IEEE/IEC)



Quad 2-Input AND Gates

74ALS08

ABSOLUTE MAXIMUM RATINGS (Operation beyond the limits set forth in this table may impair the useful life of the device. Unless otherwise noted these limits are over the operating free-air temperature range.)

SYMBOL	PARAMETER	RATING	UNIT
V_{CC}	Supply voltage	-0.5 to +7.0	V
V_{IN}	Input voltage	-0.5 to +7.0	V
I_{IN}	Input current	-30 to +5	mA
V_{OUT}	Voltage applied to output in High output state	-0.5 to + V_{CC}	V
I_{OUT}	Current applied to output in Low output state	16	mA
T_A	Operating free-air temperature range	0 to +70	°C
T_{STG}	Storage temperature	-65 to +150	°C

RECOMMENDED OPERATING CONDITIONS

SYMBOL	PARAMETER	LIMITS			UNIT
		Min	Nom	Max	
V_{CC}	Supply voltage	4.5	5.0	5.5	V
V_{IH}	High-level input voltage	2.0			V
V_{IL}	Low-level input voltage			0.8	V
I_K	Input clamp current			-18	mA
I_{OH}	High-level output current			-0.4	mA
I_{OL}	Low-level output current			8	mA
T_A	Operating free-air temperature range	0		70	°C

DC ELECTRICAL CHARACTERISTICS (Over recommended operating free-air temperature range unless otherwise noted.)

SYMBOL	PARAMETER	TEST CONDITIONS ¹	LIMITS			UNIT
			Min	Typ ²	Max	
V_{OH}	High-level output voltage	$V_{CC} \pm 10\%$, $V_L = \text{MAX}$, $V_H = \text{MIN}$, $I_{OH} = \text{MAX}$	$V_{CC} - 2$			V
V_{OL}	Low-level output voltage	$V_{CC} = \text{MIN}$, $V_L = \text{MAX}$, $V_H = \text{MIN}$		0.25	0.4	V
			$I_{OL} = 4\text{mA}$	0.35	0.5	V
V_{IK}	Input clamp voltage	$V_{CC} = \text{MIN}$, $I_I = I_{IK}$			-1.5	V
I_I	Input current at maximum input voltage	$V_{CC} = \text{MAX}$, $V_I = 7.0\text{V}$			0.1	mA
I_{IH}	High-level input current	$V_{CC} = \text{MAX}$, $V_I = 2.7\text{V}$			20	μA
I_{IL}	Low-level input current	$V_{CC} = \text{MAX}$, $V_I = 0.4\text{V}$			-0.1	mA
I_O	Output current ³	$V_{CC} = \text{MAX}$, $V_O = 2.25\text{V}$	-30		-112	mA
I_{CC}	Supply current (total)	$V_{CC} = \text{MAX}$	$V_I = 4.5\text{V}$	1.3	2.4	mA
			$V_I = 0\text{V}$	2.2	4.0	mA

NOTES:

- For conditions shown as MIN or MAX, use the appropriate value specified under recommended operating conditions for the applicable type.
- All typical values are at $V_{CC} = 5\text{V}$, $T_A = 25^\circ\text{C}$.
- The output conditions have been chosen to produce current that closely approximates one half of the true short-circuit output current, I_{OS} .

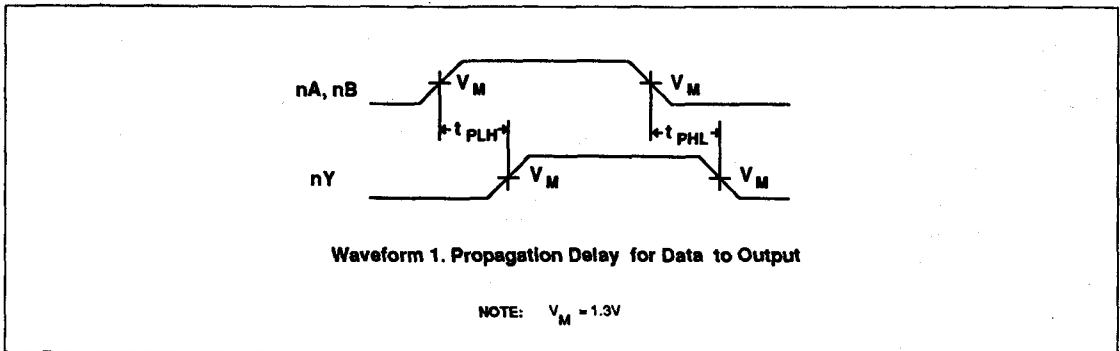
Quad 2-Input AND Gates

74ALS08

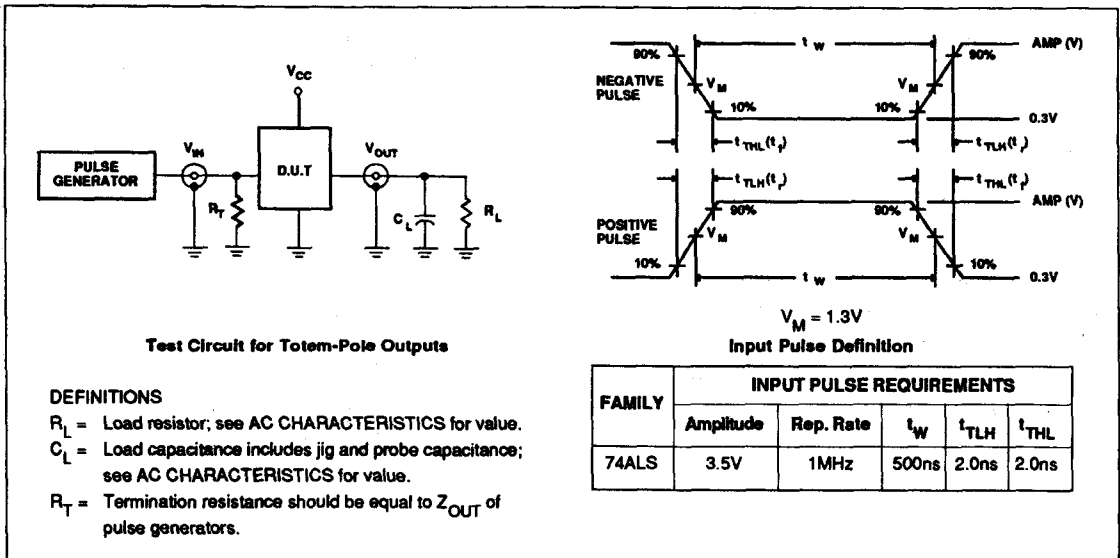
AC ELECTRICAL CHARACTERISTICS

SYMBOL	PARAMETER	TEST CONDITIONS	LIMITS		UNIT
			$T_A = 0^\circ\text{C to } +70^\circ\text{C}$		
			$V_{CC} = 5V \pm 10\%$ $R_L = 500\Omega$ $C_L = 50\text{pF}$		
			Min	Max	
t_{PLH} t_{PHL}	Propagation delay nA or nB to nY	Waveform 1	2.0 3.0	14.0 10.0	ns

AC WAVEFORM



TEST CIRCUIT AND WAVEFORMS



74ALS10A

Triple 3-Input NAND Gates

Product Specification

FUNCTION TABLE

INPUTS			OUTPUT
A	B	C	\bar{Y}
H	H	H	L
L	X	X	H
X	L	X	H
X	X	L	H

NOTES:

H = High voltage level
L = Low voltage level
X = Don't care

TYPE	TYPICAL PROPAGATION DELAY	TYPICAL SUPPLY CURRENT (TOTAL)
74ALS10A	4.0 ns	1.0 mA

ORDERING INFORMATION

PACKAGES	COMMERCIAL RANGE $V_{CC} = 5V \pm 10\%$; $T_A = 0^\circ C$ to $+70^\circ C$
14-Pin Plastic DIP	74ALS10AN
14-Pin Plastic SO	74ALS10AD

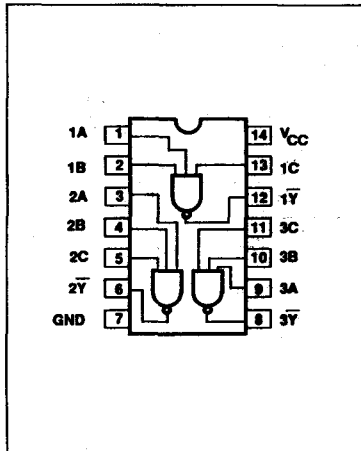
INPUT AND OUTPUT LOADING AND FAN-OUT TABLE

PINS	DESCRIPTION	74ALS(U.L.) HIGH/LOW	LOAD VALUE HIGH/LOW
nA, nB, nC	Data inputs	1.0/1.0	20 μ A/0.1mA
n \bar{Y}	Data Output	20/80	0.4mA/8mA

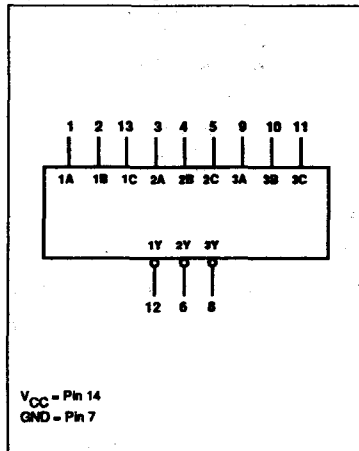
NOTE:

One (1.0) ALS Unit Load is defined as: 20 μ A in the High state and 0.1mA in the Low state.

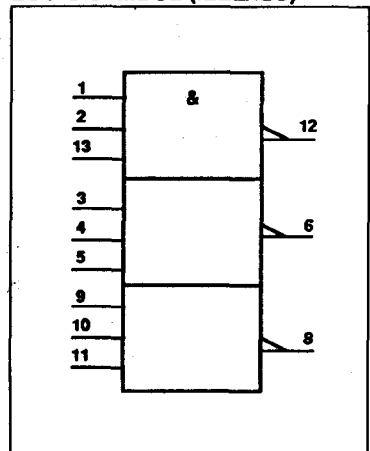
PIN CONFIGURATION



LOGIC SYMBOL



LOGIC SYMBOL (IEEE/IEC)



Triple 3-Input NAND Gates

74ALS10A

ABSOLUTE MAXIMUM RATINGS (Operation beyond the limits set forth in this table may impair the useful life of the device. Unless otherwise noted these limits are over the operating free-air temperature range.)

SYMBOL	PARAMETER	RATING	UNIT
V_{CC}	Supply voltage	-0.5 to +7.0	V
V_{IN}	Input voltage	-0.5 to +7.0	V
I_{IN}	Input current	-30 to +5	mA
V_{OUT}	Voltage applied to output in High output state	-0.5 to V_{CC}	V
I_{OUT}	Current applied to output in Low output state	16	mA
T_A	Operating free-air temperature range	0 to +70	°C
T_{STG}	Storage temperature	-65 to +150	°C

RECOMMENDED OPERATING CONDITIONS

SYMBOL	PARAMETER	LIMITS			UNIT
		Min	Nom	Max	
V_{CC}	Supply voltage	4.5	5.0	5.5	V
V_{IH}	High-level input voltage	2.0			V
V_{IL}	Low-level input voltage			0.8	V
I_{IK}	Input clamp current			-18	mA
I_{OH}	High-level output current			-0.4	mA
I_{OL}	Low-level output current			8	mA
T_A	Operating free-air temperature range	0		70	°C

DC ELECTRICAL CHARACTERISTICS (Over recommended operating free-air temperature range unless otherwise noted.)

SYMBOL	PARAMETER	TEST CONDITIONS ¹	LIMITS			UNIT
			Min	Typ ²	Max	
V_{OH}	High-level output voltage	$V_{CC} \pm 10\%$, $V_{IL} = \text{MAX}$, $V_{IH} = \text{MIN}$, $I_{OH} = \text{MAX}$	$V_{CC} - 2$			V
V_{OL}	Low-level output voltage	$V_{CC} = \text{MIN}$, $V_{IL} = \text{MAX}$, $V_{IH} = \text{MIN}$	$I_{OL} = 4\text{mA}$	0.25	0.4	V
			$I_{OL} = 8\text{mA}$	0.35	0.5	V
V_{IK}	Input clamp voltage	$V_{CC} = \text{MIN}$, $I_I = I_{IK}$			-1.5	V
I_I	Input current at maximum input voltage	$V_{CC} = \text{MAX}$, $V_I = 7.0\text{V}$			0.1	mA
I_{IH}	High-level input current	$V_{CC} = \text{MAX}$, $V_I = 2.7\text{V}$			20	μA
I_{IL}	Low-level input current	$V_{CC} = \text{MAX}$, $V_I = 0.4\text{V}$			-0.1	mA
I_O	Output current ³	$V_{CC} = \text{MAX}$, $V_O = 2.25\text{V}$	-30		-112	mA
I_{CC}	Supply current (total)	$V_{CC} = \text{MAX}$	$V_I = 0\text{V}$	0.5	0.6	mA
			$V_I = 4.5\text{V}$	1.6	2.2	mA

NOTES:

- For conditions shown as MIN or MAX, use the appropriate value specified under recommended operating conditions for the applicable type.
- All typical values are at $V_{CC} = 5\text{V}$, $T_A = 25^\circ\text{C}$.
- The output conditions have been chosen to produce current that closely approximates one half of the true short-circuit output current, I_{OS} .

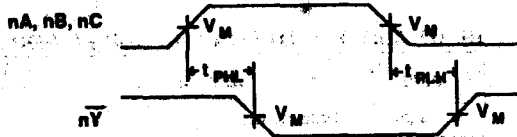
Triple 3-Input NAND Gates

74ALS10A

AC ELECTRICAL CHARACTERISTICS

SYMBOL	PARAMETER	TEST CONDITIONS	LIMITS		UNIT
			$T_A = 0^\circ\text{C to } +70^\circ\text{C}$ $V_{CC} = 5\text{V} \pm 10\%$ $R_L = 500\Omega$ $C_L = 50\text{pF}$		
			Min	Max	
t_{PLH} t_{PHL}	Propagation delay nA, nB, nC to nY	Waveform 1	2.0 2.0	11.0 10.0	ns

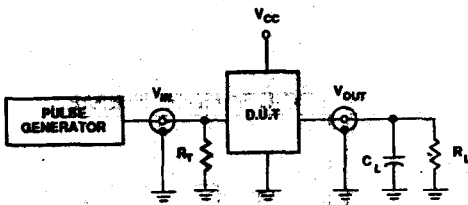
AC WAVEFORM



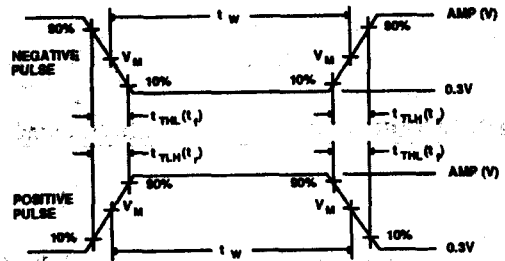
Waveform 1. Propagation Delay for Data to Output

NOTE: $V_M = 1.3\text{V}$

TEST CIRCUIT AND WAVEFORMS



Test Circuit for Totem-Pole Outputs



$V_M = 1.3\text{V}$

Input Pulse Definition

DEFINITIONS

R_L = Load resistor; see AC CHARACTERISTICS for value.

C_L = Load capacitance includes jig and probe capacitance; see AC CHARACTERISTICS for value.

R_T = Termination resistance should be equal to Z_{OUT} of pulse generators.

FAMILY	INPUT PULSE REQUIREMENTS				
	Amplitude	Rep. Rate	t_w	t_{TLH}	t_{THL}
74ALS	3.5V	1MHz	500ns	2.0ns	2.0ns

74ALS11A

Triple 3-Input AND Gates

Product Specification

FUNCTION TABLE

INPUTS			OUTPUT
A	B	C	Y
H	H	H	H
L	X	X	L
X	L	X	L
X	X	L	L

NOTES:

H = High voltage level
 L = Low voltage level
 X = Don't care

TYPE	TYPICAL PROPAGATION DELAY	TYPICAL SUPPLY CURRENT (TOTAL)
74ALS11A	5.5 ns	1.3 mA

ORDERING INFORMATION

PACKAGES	COMMERCIAL RANGE $V_{CC} = 5V \pm 10\%$; $T_A = 0^\circ C$ to $+70^\circ C$
14-Pin Plastic DIP	74ALS11AN
14-Pin Plastic SO	74ALS11AD

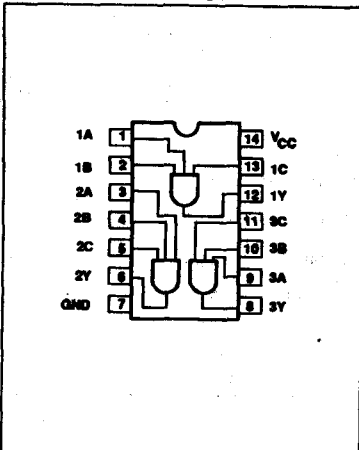
INPUT AND OUTPUT LOADING AND FAN-OUT TABLE

PINS	DESCRIPTION	74ALS(U.L.) HIGH/LOW	LOAD VALUE HIGH/LOW
nA, nB, nC	Data inputs	1.0/1.0	20 μ A/0.1mA
nY	Data Output	20/80	0.4mA/8mA

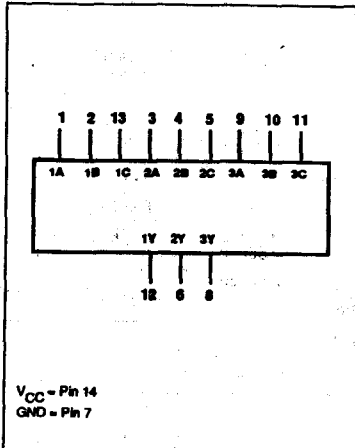
NOTE:

One (1.0) ALS Unit Load is defined as: 20 μ A in the High state and 0.1mA in the Low state.

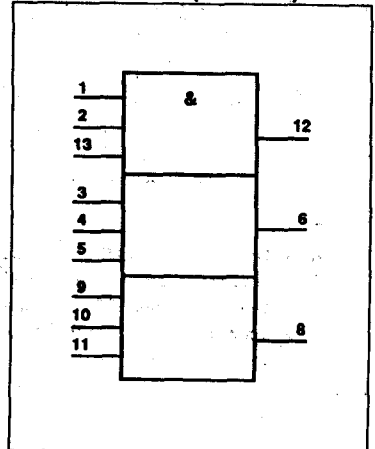
PIN CONFIGURATION



LOGIC SYMBOL



LOGIC SYMBOL (IEEE/IEC)



Triple 3-Input AND Gates

74ALS11A

ABSOLUTE MAXIMUM RATINGS (Operation beyond the limits set forth in this table may impair the useful life of the device. Unless otherwise noted these limits are over the operating free-air temperature range.)

SYMBOL	PARAMETER	RATING	UNIT
V_{CC}	Supply voltage	-0.5 to +7.0	V
V_{IN}	Input voltage	-0.5 to +7.0	V
I_{IN}	Input current	-30 to +5	mA
V_{OUT}	Voltage applied to output in High output state	-0.5 to + V_{CC}	V
I_{OUT}	Current applied to output in Low output state	16	mA
T_A	Operating free-air temperature range	0 to +70	°C
T_{STG}	Storage temperature	-65 to +150	°C

RECOMMENDED OPERATING CONDITIONS

SYMBOL	PARAMETER	LIMITS			UNIT
		Min	Nom	Max	
V_{CC}	Supply voltage	4.5	5.0	5.5	V
V_{IH}	High-level input voltage	2.0			V
V_{IL}	Low-level input voltage			0.8	V
I_{IK}	Input clamp current			-18	mA
I_{OH}	High-level output current			-0.4	mA
I_{OL}	Low-level output current			8	mA
T_A	Operating free-air temperature range	0		70	°C

DC ELECTRICAL CHARACTERISTICS (Over recommended operating free-air temperature range unless otherwise noted.)

SYMBOL	PARAMETER	TEST CONDITIONS ¹	LIMITS			UNIT
			Min	Typ ²	Max	
V_{OH}	High-level output voltage	$V_{CC} \pm 10\%$, $V_{IL} = \text{MAX}$, $V_{IH} = \text{MIN}$, $I_{OH} = \text{MAX}$	$V_{CC} - 2$			V
V_{OL}	Low-level output voltage	$V_{CC} = \text{MIN}$, $V_{IL} = \text{MAX}$, $V_{IH} = \text{MIN}$	$I_{OL} = 4\text{mA}$	0.25	0.4	V
			$I_{OL} = 8\text{mA}$	0.35	0.5	V
V_{IK}	Input clamp voltage	$V_{CC} = \text{MIN}$, $I_I = I_{IK}$			-1.5	V
I_I	Input current at maximum input voltage	$V_{CC} = \text{MAX}$, $V_I = 7.0\text{V}$			0.1	mA
I_{IH}	High-level input current	$V_{CC} = \text{MAX}$, $V_I = 2.7\text{V}$			20	μA
I_{IL}	Low-level input current	$V_{CC} = \text{MAX}$, $V_I = 0.4\text{V}$			-0.1	mA
I_O	Output current ³	$V_{CC} = \text{MAX}$, $V_O = 2.25\text{V}$	-30		-112	mA
I_{CC}	Supply current (total)	$V_{CC} = \text{MAX}$	$V_I = 4.5\text{V}$	1.0	1.8	mA
			$V_I = 0\text{V}$	2.0	3.0	mA

NOTES:

- For conditions shown as MIN or MAX, use the appropriate value specified under recommended operating conditions for the applicable type.
- All typical values are at $V_{CC} = 5\text{V}$, $T_A = 25^\circ\text{C}$.
- The output conditions have been chosen to produce current that closely approximates one half of the true short-circuit output current, I_{OS} .

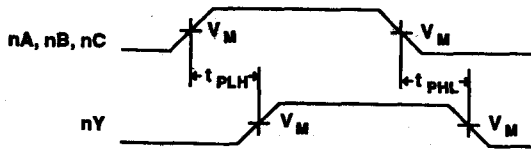
Triple 3-Input AND Gates

74ALS11A

AC ELECTRICAL CHARACTERISTICS

SYMBOL	PARAMETER	TEST CONDITIONS	LIMITS		UNIT
			$T_A = 0^\circ\text{C to } +70^\circ\text{C}$ $V_{CC} = 5V \pm 10\%$ $R_L = 500\Omega$ $C_L = 50\text{pF}$		
			Min	Max	
t_{PLH} t_{PHL}	Propagation delay nA, nB, nC to nY	Waveform 1	2.0 2.0	13.0 10.0	ns

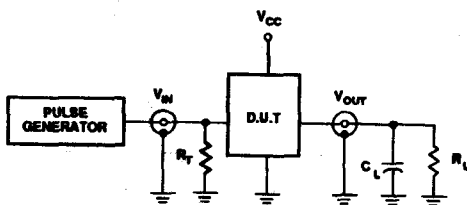
AC WAVEFORM



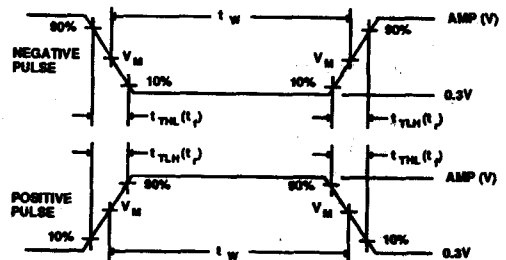
Waveform 1. Propagation Delay for Data to Output

NOTE: $V_M = 1.3V$

TEST CIRCUIT AND WAVEFORMS



Test Circuit for Totem-Pole Outputs



$V_M = 1.3V$

Input Pulse Definition

DEFINITIONS

- R_L = Load resistor; see AC CHARACTERISTICS for value.
- C_L = Load capacitance includes jig and probe capacitance; see AC CHARACTERISTICS for value.
- R_T = Termination resistance should be equal to Z_{OUT} of pulse generators.

FAMILY	INPUT PULSE REQUIREMENTS				
	Amplitude	Rep. Rate	t_W	$t_{TLH}(t_r)$	$t_{TLH}(t_f)$
74ALS	3.5V	1MHz	500ns	2.0ns	2.0ns

74ALS20A

Dual 4-Input NAND Gates

Product Specification

FUNCTION TABLE

INPUTS				OUTPUT
A	B	C	D	\bar{Y}
H	H	H	H	L
L	X	X	X	H
X	L	X	X	H
X	X	L	X	H
X	X	X	L	H

NOTES:

H = High voltage level
 L = Low voltage level
 X = Don't care

TYPE	TYPICAL PROPAGATION DELAY	TYPICAL SUPPLY CURRENT (TOTAL)
74ALS20A	4.5 ns	0.65 mA

ORDERING INFORMATION

PACKAGES	COMMERCIAL RANGE $V_{CC} = 5V \pm 10\%$; $T_A = 0^\circ C$ to $+70^\circ C$
14-Pin Plastic DIP	74ALS20AN
14-Pin Plastic SO	74ALS20AD

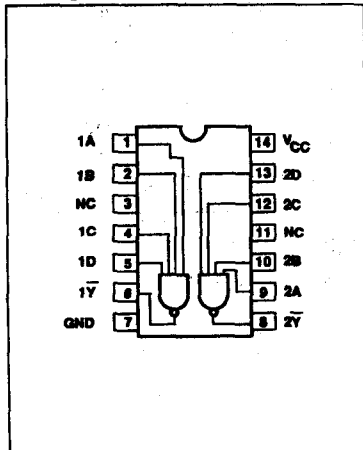
INPUT AND OUTPUT LOADING AND FAN-OUT TABLE

PINS	DESCRIPTION	74ALS(U.L.) HIGH/LOW	LOAD VALUE HIGH/LOW
nA, nB, nC, nD	Data inputs	1.0/1.0	20 μ A/0.1mA
n \bar{Y}	Data Output	20/80	0.4mA/8mA

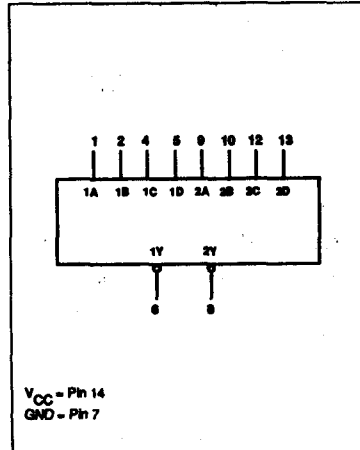
NOTE:

One (1.0) ALS Unit Load is defined as: 20 μ A in the High state and 0.1mA in the Low state.

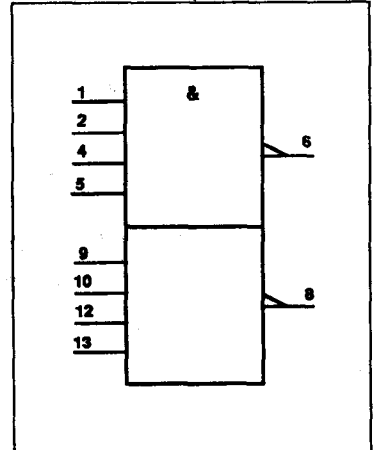
PIN CONFIGURATION



LOGIC SYMBOL



LOGIC SYMBOL (IEEE/IEC)



Dual 4-Input NAND Gates

74ALS20A

ABSOLUTE MAXIMUM RATINGS (Operation beyond the limits set forth in this table may impair the useful life of the device. Unless otherwise noted these limits are over the operating free-air temperature range.)

SYMBOL	PARAMETER	RATING	UNIT
V_{CC}	Supply voltage	-0.5 to +7.0	V
V_{IN}	Input voltage	-0.5 to +7.0	V
I_{IN}	Input current	-30 to +5	mA
V_{OUT}	Voltage applied to output in High output state	-0.5 to + V_{CC}	V
I_{OUT}	Current applied to output in Low output state	16	mA
T_A	Operating free-air temperature range	0 to +70	°C
T_{STG}	Storage temperature	-65 to +150	°C

RECOMMENDED OPERATING CONDITIONS

SYMBOL	PARAMETER	LIMITS			UNIT
		Min	Nom	Max	
V_{CC}	Supply voltage	4.5	5.0	5.5	V
V_{IH}	High-level input voltage	2.0			V
V_{IL}	Low-level input voltage			0.8	V
I_K	Input clamp current			-18	mA
I_{OH}	High-level output current			-0.4	mA
I_{OL}	Low-level output current			8	mA
T_A	Operating free-air temperature range	0		70	°C

DC ELECTRICAL CHARACTERISTICS

(Over recommended operating free-air temperature range unless otherwise noted.)

SYMBOL	PARAMETER	TEST CONDITIONS ¹	LIMITS			UNIT	
			Min	Typ ²	Max		
V_{OH}	High-level output voltage	$V_{CC} \pm 10\%$, $V_{IL} = \text{MAX}$, $V_{IH} = \text{MIN}$, $I_{OH} = \text{MAX}$	$V_{CC} - 2$			V	
V_{OL}	Low-level output voltage	$V_{CC} = \text{MIN}$, $V_{IL} = \text{MAX}$, $V_{IH} = \text{MIN}$		0.25	0.4	V	
				0.35	0.5	V	
V_K	Input clamp voltage	$V_{CC} = \text{MIN}$, $I_I = I_K$			-1.5	V	
I_I	Input current at maximum input voltage	$V_{CC} = \text{MAX}$, $V_I = 7.0V$			0.1	mA	
I_{IH}	High-level input current	$V_{CC} = \text{MAX}$, $V_I = 2.7V$			20	μA	
I_{IL}	Low-level input current	$V_{CC} = \text{MAX}$, $V_I = 0.4V$			-0.1	mA	
I_O	Output current ³	$V_{CC} = \text{MAX}$, $V_O = 2.25V$	-30		-112	mA	
I_{CC}	Supply current (total)	$V_{CC} = \text{MAX}$		$V_I = 0V$	0.3	0.4	mA
				$V_I = 4.5V$	1.0	1.5	mA

NOTES:

- For conditions shown as MIN or MAX, use the appropriate value specified under recommended operating conditions for the applicable type.
- All typical values are at $V_{CC} = 5V$, $T_A = 25^\circ C$.
- The output conditions have been chosen to produce current that closely approximates one half of the true short-circuit output current, I_{OS} .

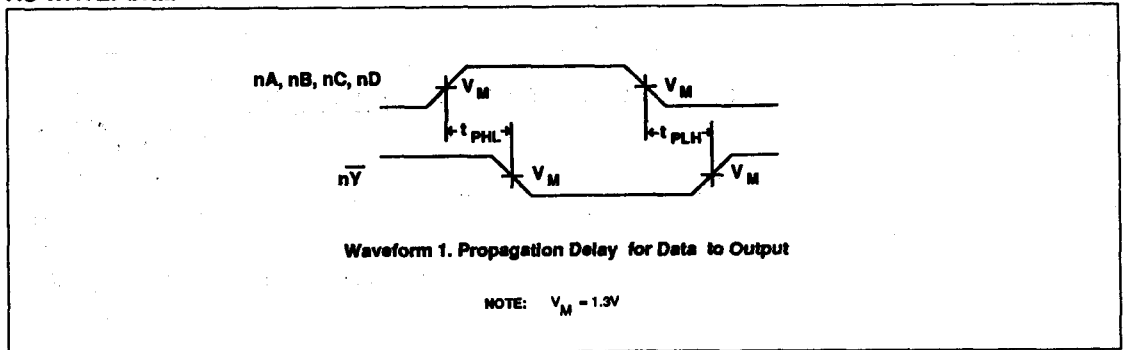
Dual 4-Input NAND Gates

74ALS20A

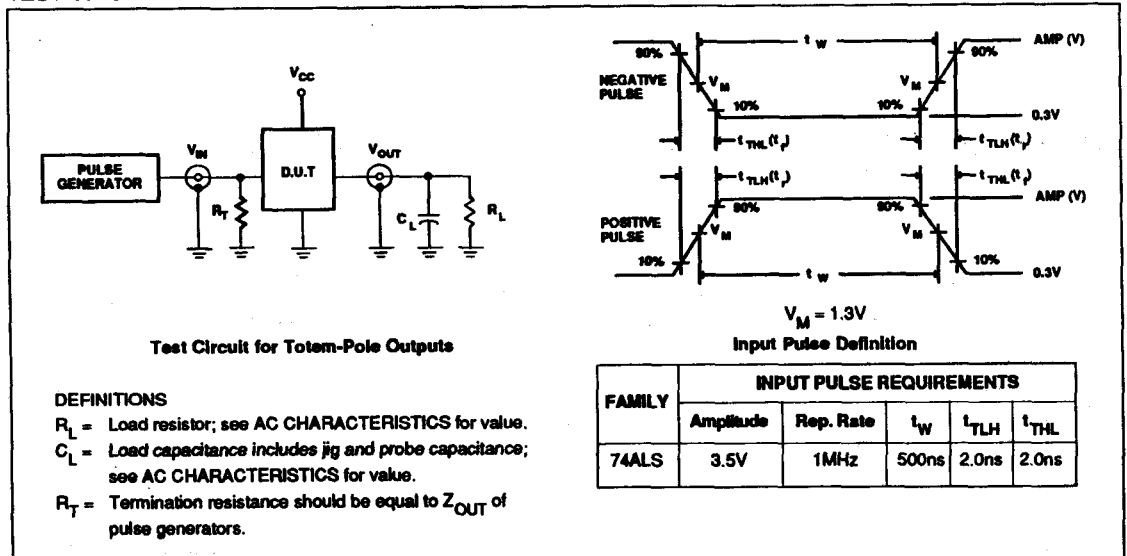
AC ELECTRICAL CHARACTERISTICS

SYMBOL	PARAMETER	TEST CONDITIONS	LIMITS		UNIT
			$T_A = 0^\circ\text{C to } +70^\circ\text{C}$		
			$V_{CC} = 5V \pm 10\%$ $R_L = 500\Omega$ $C_L = 50\text{pF}$		
			Min	Max	
t_{PLH} t_{PHL}	Propagation delay nA, nB, nC, nD to nY	Waveform 1	2.0 3.0	11.0 10.0	ns

AC WAVEFORM



TEST CIRCUIT AND WAVEFORMS



74ALS27

Triple 3-Input NOR Gates

Product Specification

FUNCTION TABLE

INPUTS			OUTPUT
A	B	C	\bar{Y}
H	X	X	L
X	H	X	L
X	X	H	L
L	L	L	H

NOTES:

H = High voltage level
L = Low voltage level
X = Don't care

TYPE	TYPICAL PROPAGATION DELAY	TYPICAL SUPPLY CURRENT (TOTAL)
74ALS27	4.0 ns	1.5 mA

ORDERING INFORMATION

PACKAGES	COMMERCIAL RANGE $V_{CC} = 5V \pm 10\%$; $T_A = 0^\circ C$ to $+70^\circ C$
14-Pin Plastic DIP	74ALS27N
14-Pin Plastic SO	74ALS27D

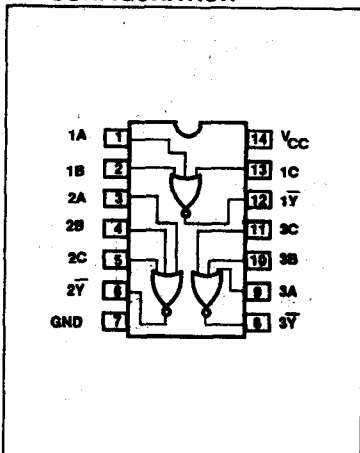
INPUT AND OUTPUT LOADING AND FAN-OUT TABLE

PINS	DESCRIPTION	74ALS(U.L.) HIGH/LOW	LOAD VALUE HIGH/LOW
nA, nB, nC	Data inputs	1.0/1.0	20 μ A/0.1mA
n \bar{Y}	Data Output	20/80	0.4mA/8mA

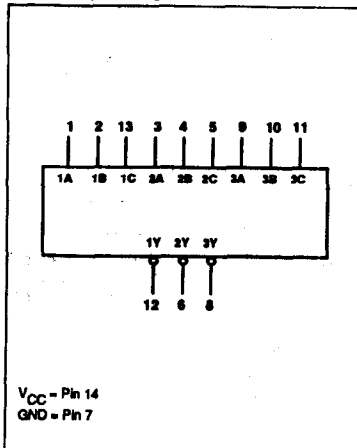
NOTE:

One (1.0) ALS Unit Load is defined as: 20 μ A in the High state and 0.1mA in the Low state.

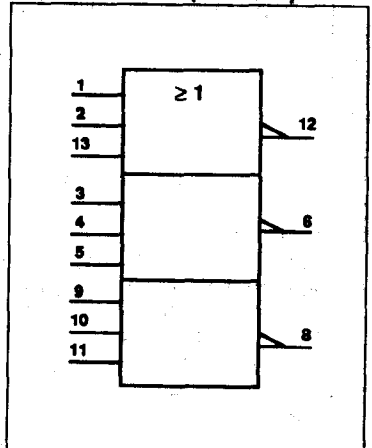
PIN CONFIGURATION



LOGIC SYMBOL



LOGIC SYMBOL (IEEE/IEC)



Triple 3-Input NOR Gates

74ALS27

ABSOLUTE MAXIMUM RATINGS (Operation beyond the limits set forth in this table may impair the useful life of the device. Unless otherwise noted these limits are over the operating free-air temperature range.)

SYMBOL	PARAMETER	RATING	UNIT
V_{CC}	Supply voltage	-0.5 to +7.0	V
V_{IN}	Input voltage	-0.5 to +7.0	V
I_{IN}	Input current	-30 to +5	mA
V_{OUT}	Voltage applied to output in High output state	-0.5 to V_{CC}	V
I_{OUT}	Current applied to output in Low output state	16	mA
T_A	Operating free-air temperature range	0 to +70	°C
T_{STG}	Storage temperature	-65 to +150	°C

RECOMMENDED OPERATING CONDITIONS

SYMBOL	PARAMETER	LIMITS			UNIT
		Min	Nom	Max	
V_{CC}	Supply voltage	4.5	5.0	5.5	V
V_{IH}	High-level input voltage	2.0			V
V_{IL}	Low-level input voltage			0.8	V
I_{IK}	Input clamp current			-18	mA
I_{OH}	High-level output current			-0.4	mA
I_{OL}	Low-level output current			8	mA
T_A	Operating free-air temperature range	0		70	°C

DC ELECTRICAL CHARACTERISTICS (Over recommended operating free-air temperature range unless otherwise noted.)

SYMBOL	PARAMETER	TEST CONDITIONS ¹	LIMITS			UNIT			
			Min	Typ ²	Max				
V_{OH}	High-level output voltage	$V_{CC} \pm 10\%$, $V_{IL} = \text{MAX}$, $V_{IH} = \text{MIN}$, $I_{OH} = \text{MAX}$	$V_{CC} - 2$			V			
V_{OL}	Low-level output voltage	$V_{CC} = \text{MIN}$, $V_{IL} = \text{MAX}$, $V_{IH} = \text{MIN}$			$I_{OL} = 4\text{mA}$	0.25	0.4	V	
					$I_{OL} = 8\text{mA}$	0.35	0.5	V	
V_{IK}	Input clamp voltage	$V_{CC} = \text{MIN}$, $I_I = I_{IK}$				-1.5	V		
I_I	Input current at maximum input voltage	$V_{CC} = \text{MAX}$, $V_I = 7.0\text{V}$				0.1	mA		
I_{IH}	High-level input current	$V_{CC} = \text{MAX}$, $V_I = 2.7\text{V}$				20	μA		
I_{IL}	Low-level input current	$V_{CC} = \text{MAX}$, $V_I = 0.4\text{V}$				-0.1	mA		
I_O	Output current ³	$V_{CC} = \text{MAX}$, $V_O = 2.25\text{V}$	-30			-112	mA		
I_{CC}	Supply current (total)	$V_{CC} = \text{MAX}$				$V_I = 0\text{V}$	1.0	1.8	mA
						$V_I = 4.5\text{V}$	2.0	4.0	mA

NOTES:

- For conditions shown as MIN or MAX, use the appropriate value specified under recommended operating conditions for the applicable type.
- All typical values are at $V_{CC} = 5\text{V}$, $T_A = 25^\circ\text{C}$.
- The output conditions have been chosen to produce current that closely approximates one half of the true short-circuit output current, I_{OS} .

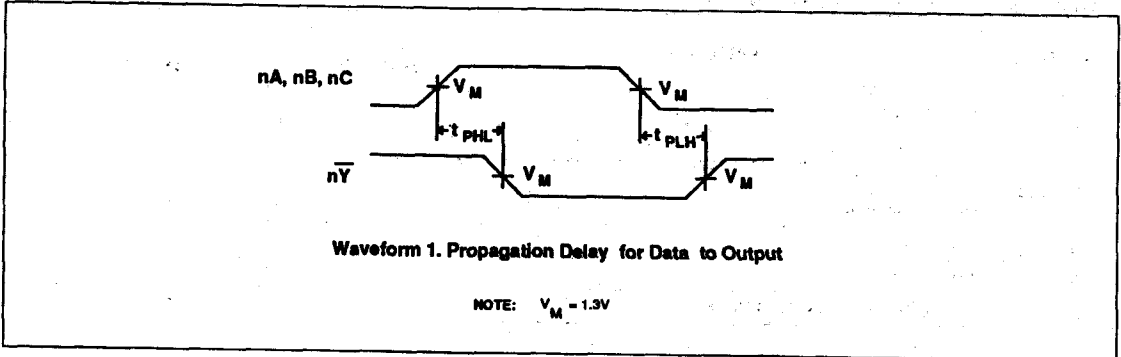
Triple 3-Input NOR Gates

74ALS27

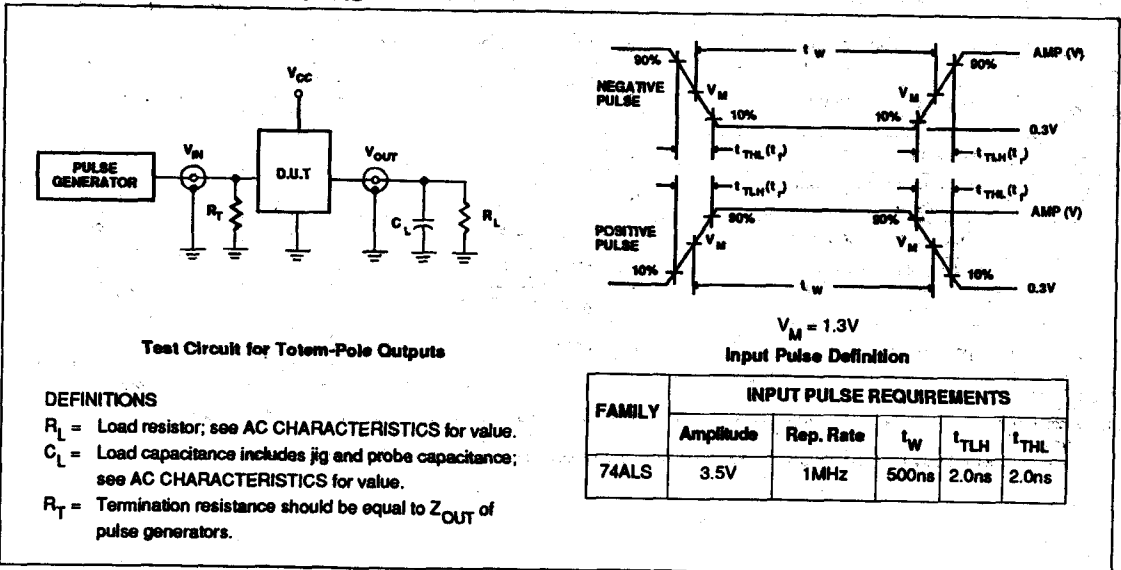
AC ELECTRICAL CHARACTERISTICS

SYMBOL	PARAMETER	TEST CONDITIONS	LIMITS		UNIT
			$T_A = 0^\circ\text{C to } +70^\circ\text{C}$ $V_{CC} = 5\text{V} \pm 10\%$ $R_L = 500\Omega$ $C_L = 50\text{pF}$		
			Min	Max	
t_{PLH} t_{PHL}	Propagation delay nA, nB, nC to nY	Waveform 1	2.0 2.0	15.0 9.0	ns

AC WAVEFORM



TEST CIRCUIT AND WAVEFORMS



74ALS30A

8-Input NAND Gate

Preliminary Specification

FUNCTION TABLE

INPUTS								OUTPUT
A	B	C	D	E	F	G	H	\bar{Y}
H	H	H	H	H	H	H	H	L
L	X	X	X	X	X	X	X	H
X	L	X	X	X	X	X	X	H
X	X	L	X	X	X	X	X	H
X	X	X	L	X	X	X	X	H
X	X	X	X	L	X	X	X	H
X	X	X	X	X	L	X	X	H
X	X	X	X	X	X	L	X	H
X	X	X	X	X	X	X	L	H

NOTES:

H = High voltage level
 L = Low voltage level
 X = Don't care

TYPE	TYPICAL PROPAGATION DELAY	TYPICAL SUPPLY CURRENT (TOTAL)
74ALS30A	7.0 ns	0.5 mA

ORDERING INFORMATION

PACKAGES	COMMERCIAL RANGE $V_{CC} = 5V \pm 10\%$; $T_A = 0^\circ C$ to $+70^\circ C$
14-Pin Plastic DIP	74ALS30AN
14-Pin Plastic SO	74ALS30AD

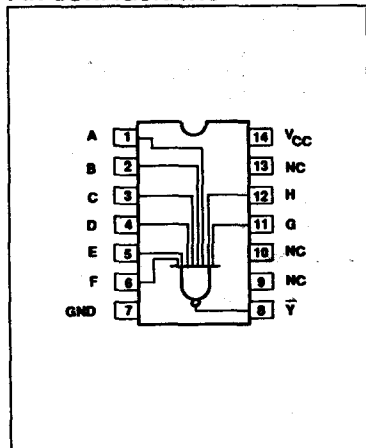
INPUT AND OUTPUT LOADING AND FAN-OUT TABLE

PINS	DESCRIPTION	74ALS(U.L.) HIGH/LOW	LOAD VALUE HIGH/LOW
A - H	Data inputs	1.0/1.0	20 μ A/0.1mA
\bar{Y}	Data Output	20/80	0.4mA/8mA

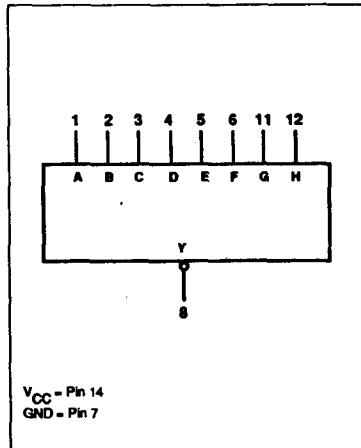
NOTE:

One (1.0) ALS Unit Load is defined as: 20 μ A in the High state and 0.1mA in the Low state.

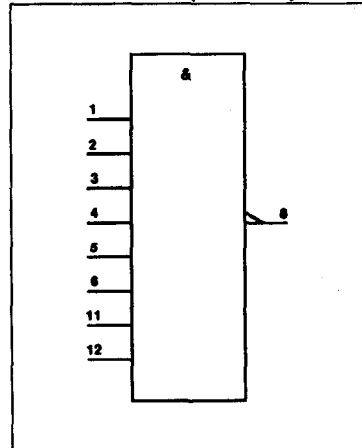
PIN CONFIGURATION



LOGIC SYMBOL



LOGIC SYMBOL (IEEE/IEC)



8-Input NAND Gate

74ALS30A

ABSOLUTE MAXIMUM RATINGS (Operation beyond the limits set forth in this table may impair the useful life of the device. Unless otherwise noted these limits are over the operating free-air temperature range.)

SYMBOL	PARAMETER	RATING	UNIT
V_{CC}	Supply voltage	-0.5 to +7.0	V
V_{IN}	Input voltage	-0.5 to +7.0	V
I_{IN}	Input current	-30 to +5	mA
V_{OUT}	Voltage applied to output in High output state	-0.5 to + V_{CC}	V
I_{OUT}	Current applied to output in Low output state	16	mA
T_A	Operating free-air temperature range	0 to +70	°C
T_{STG}	Storage temperature	-65 to +150	°C

RECOMMENDED OPERATING CONDITIONS

SYMBOL	PARAMETER	LIMITS			UNIT
		Min	Nom	Max	
V_{CC}	Supply voltage	4.5	5.0	5.5	V
V_{IH}	High-level input voltage	2.0			V
V_{IL}	Low-level input voltage			0.8	V
I_{IK}	Input clamp current			-18	mA
I_{OH}	High-level output current			-0.4	mA
I_{OL}	Low-level output current			8	mA
T_A	Operating free-air temperature range	0		70	°C

DC ELECTRICAL CHARACTERISTICS (Over recommended operating free-air temperature range unless otherwise noted.)

SYMBOL	PARAMETER	TEST CONDITIONS ¹	LIMITS			UNIT
			Min	Typ ²	Max	
V_{OH}	High-level output voltage	$V_{CC} \pm 10\%$, $V_{IL} = \text{MAX}$, $V_{IH} = \text{MIN}$, $I_{OH} = \text{MAX}$	$V_{CC} - 2$			V
V_{OL}	Low-level output voltage	$V_{CC} = \text{MIN}$, $V_{IL} = \text{MAX}$, $V_{IH} = \text{MIN}$	$I_{OL} = 4\text{mA}$	0.25	0.4	V
			$I_{OL} = 8\text{mA}$	0.35	0.5	V
V_{IK}	Input clamp voltage	$V_{CC} = \text{MIN}$, $I_I = I_{IK}$			-1.5	V
I_I	Input current at maximum input voltage	$V_{CC} = \text{MAX}$, $V_I = 7.0\text{V}$			0.1	mA
I_{IH}	High-level input current	$V_{CC} = \text{MAX}$, $V_I = 2.7\text{V}$			20	μA
I_{IL}	Low-level input current	$V_{CC} = \text{MAX}$, $V_I = 0.4\text{V}$			-0.1	mA
I_O	Output current ³	$V_{CC} = \text{MAX}$, $V_O = 2.25\text{V}$	-30		-112	mA
I_{CC}	Supply current (total)	$V_{CC} = \text{MAX}$	$V_I = 0\text{V}$	0.22	0.36	mA
			$V_I = 4.5\text{V}$	0.54	0.9	mA

NOTES:

- For conditions shown as MIN or MAX, use the appropriate value specified under recommended operating conditions for the applicable type.
- All typical values are at $V_{CC} = 5\text{V}$, $T_A = 25^\circ\text{C}$.
- The output conditions have been chosen to produce current that closely approximates one half of the true short-circuit output current, I_{OS} .

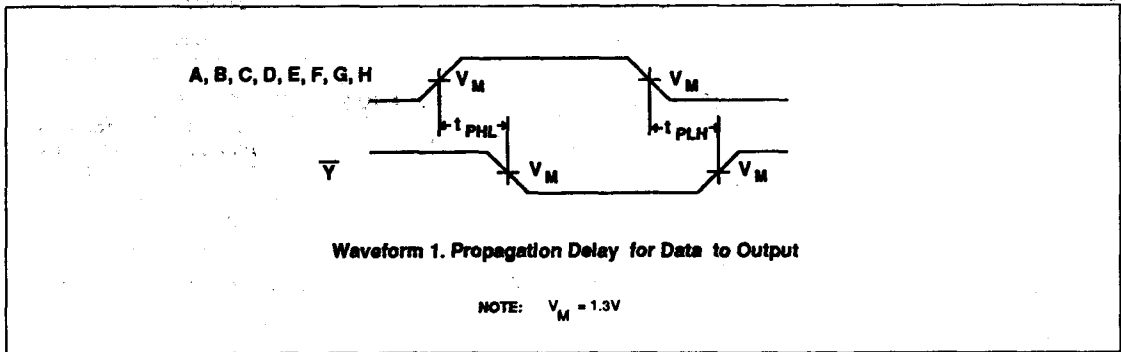
8-Input NAND Gate

74ALS30A

AC ELECTRICAL CHARACTERISTICS

SYMBOL	PARAMETER	TEST CONDITIONS	LIMITS		UNIT
			$T_A = 0^\circ\text{C to } +70^\circ\text{C}$ $V_{CC} = 5\text{V} \pm 10\%$ $R_L = 500\Omega$ $C_L = 50\text{pF}$		
			Min	Max	
t_{PLH} t_{PHL}	Propagation delay A,B,C,D,E,F,G,H to \bar{Y}	Waveform 1	3.0 3.0	10.0 12.0	ns

AC WAVEFORM



TEST CIRCUIT AND WAVEFORMS

Test Circuit for Totem-Pole Outputs

$V_M = 1.3\text{V}$
Input Pulse Definition

DEFINITIONS

R_L = Load resistor; see AC CHARACTERISTICS for value.

C_L = Load capacitance includes jig and probe capacitance; see AC CHARACTERISTICS for value.

R_T = Termination resistance should be equal to Z_{OUT} of pulse generators.

FAMILY	INPUT PULSE REQUIREMENTS				
	Amplitude	Rep. Rate	t_w	t_{TLH}	t_{THL}
74ALS	3.5V	1MHz	500ns	2.0ns	2.0ns

74ALS32

Quad 2-Input OR Gates

Product Specification

ALS Products

FUNCTION TABLE

INPUTS		OUTPUT
A	B	Y
H	X	H
X	H	H
L	L	L

NOTES:

H = High voltage level
 L = Low voltage level
 X = Don't care

TYPE	TYPICAL PROPAGATION DELAY	TYPICAL SUPPLY CURRENT (TOTAL)
74ALS32	5.0 ns	2.3 mA

ORDERING INFORMATION

PACKAGES	COMMERCIAL RANGE $V_{CC} = 5V \pm 10\%$; $T_A = 0^\circ C$ to $+70^\circ C$
14-Pin Plastic DIP	74ALS32N
14-Pin Plastic SO	74ALS32D

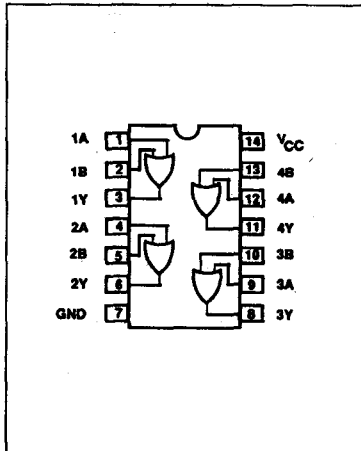
INPUT AND OUTPUT LOADING AND FAN-OUT TABLE

PINS	DESCRIPTION	74ALS(U.L.) HIGH/LOW	LOAD VALUE HIGH/LOW
nA, nB	Data inputs	1.0/1.0	20 μ A/0.1mA
nY	Data Output	20/80	0.4mA/8mA

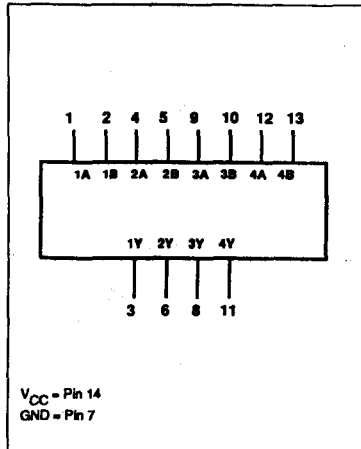
NOTE:

One (1.0) ALS Unit Load is defined as: 20 μ A in the High state and 0.1mA in the Low state.

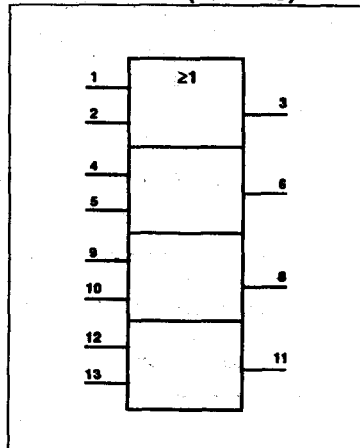
PIN CONFIGURATION



LOGIC SYMBOL



LOGIC SYMBOL (IEEE/IEC)



Quad 2-Input OR Gates

74ALS32

ABSOLUTE MAXIMUM RATINGS (Operation beyond the limits set forth in this table may impair the useful life of the device. Unless otherwise noted these limits are over the operating free-air temperature range.)

SYMBOL	PARAMETER	RATING	UNIT
V_{CC}	Supply voltage	-0.5 to +7.0	V
V_{IN}	Input voltage	-0.5 to +7.0	V
I_{IN}	Input current	-30 to +5	mA
V_{OUT}	Voltage applied to output in High output state	-0.5 to + V_{CC}	V
I_{OUT}	Current applied to output in Low output state	16	mA
T_A	Operating free-air temperature range	0 to +70	°C
T_{STG}	Storage temperature	-65 to +150	°C

RECOMMENDED OPERATING CONDITIONS

SYMBOL	PARAMETER	LIMITS			UNIT
		Min	Nom	Max	
V_{CC}	Supply voltage	4.5	5.0	5.5	V
V_{IH}	High-level input voltage	2.0			V
V_{IL}	Low-level input voltage			0.8	V
I_{IK}	Input clamp current			-18	mA
I_{OH}	High-level output current			-0.4	mA
I_{OL}	Low-level output current			8	mA
T_A	Operating free-air temperature range	0		70	°C

DC ELECTRICAL CHARACTERISTICS (Over recommended operating free-air temperature range unless otherwise noted.)

SYMBOL	PARAMETER	TEST CONDITIONS ¹	LIMITS			UNIT
			Min	Typ ²	Max	
V_{OH}	High-level output voltage	$V_{CC} \pm 10\%$, $V_{IL} = \text{MAX}$, $V_{IH} = \text{MIN}$, $I_{OH} = \text{MAX}$	$V_{CC} - 2$			V
V_{OL}	Low-level output voltage	$V_{CC} = \text{MIN}$, $V_{IL} = \text{MAX}$, $V_{IH} = \text{MIN}$	$I_{OL} = 4\text{mA}$	0.25	0.4	V
			$I_{OL} = 8\text{mA}$	0.35	0.5	V
V_{IK}	Input clamp voltage	$V_{CC} = \text{MIN}$, $I_I = I_{IK}$			-1.5	V
I_I	Input current at maximum input voltage	$V_{CC} = \text{MAX}$, $V_I = 7.0\text{V}$			0.1	mA
I_{IH}	High-level input current	$V_{CC} = \text{MAX}$, $V_I = 2.7\text{V}$			20	μA
I_{IL}	Low-level input current	$V_{CC} = \text{MAX}$, $V_I = 0.4\text{V}$			-0.1	mA
I_O	Output current ³	$V_{CC} = \text{MAX}$, $V_O = 2.25\text{V}$	-30		-112	mA
I_{CC}	Supply current (total)	$V_{CC} = \text{MAX}$	$V_I = 4.5\text{V}$	1.6	4.0	mA
			$V_I = 0\text{V}$	2.8	4.9	mA

NOTES:

- For conditions shown as MIN or MAX, use the appropriate value specified under recommended operating conditions for the applicable type.
- All typical values are at $V_{CC} = 5\text{V}$, $T_A = 25^\circ\text{C}$.
- The output conditions have been chosen to produce current that closely approximates one half of the true short-circuit output current, I_{OS} .

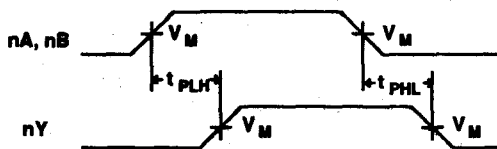
Quad 2-Input OR Gates

74ALS32

AC ELECTRICAL CHARACTERISTICS

SYMBOL	PARAMETER	TEST CONDITIONS	LIMITS		
			$T_A = 0^\circ\text{C to } +70^\circ\text{C}$ $V_{CC} = 5V \pm 10\%$ $R_L = 500\Omega$ $C_L = 50\text{pF}$		UNIT
			Min	Max	
t_{PLH} t_{PHL}	Propagation delay nA or nB to nY	Waveform 1	2.0 3.0	14.0 12.0	ns

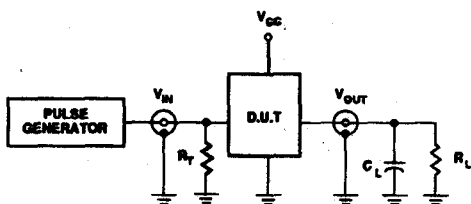
AC WAVEFORM



Waveform 1. Propagation Delay for Data to Output

NOTE: $V_M = 1.3V$

TEST CIRCUIT AND WAVEFORMS



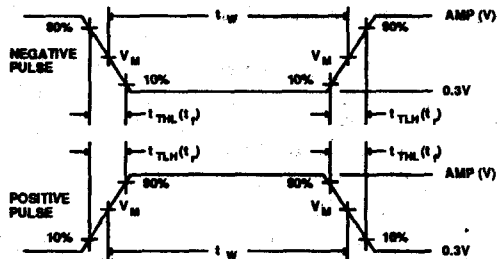
Test Circuit for Totem-Pole Outputs

DEFINITIONS

R_L = Load resistor; see AC CHARACTERISTICS for value.

C_L = Load capacitance includes jig and probe capacitance; see AC CHARACTERISTICS for value.

R_T = Termination resistance should be equal to Z_{OUT} of pulse generators.



$V_M = 1.3V$

Input Pulse Definition

FAMILY	INPUT PULSE REQUIREMENTS				
	Amplitude	Rep. Rate	t_W	t_{TLH}	t_{THL}
74ALS	3.5V	1MHz	500ns	2.0ns	2.0ns

74ALS38A

Buffer

Quad Two-Input NAND Buffer (Open-Collector)
 Product Specification

FUNCTION TABLE

INPUTS		OUTPUT
A	B	\bar{Y}
L	L	H
L	H	H
H	L	H
H	H	L

H = High voltage level
 L = Low voltage level
 X = Don't care

TYPE	TYPICAL PROPAGATION DELAY	TYPICAL SUPPLY CURRENT (TOTAL)
74ALS38A	7.0 ns	3.5 mA

ORDERING INFORMATION

PACKAGES	COMMERCIAL RANGE $V_{CC} = 5V \pm 10\%$; $T_A = 0^\circ C$ to $+70^\circ C$
14-Pin Plastic DIP	74ALS38AN
14-Pin Plastic SO	74ALS38AD

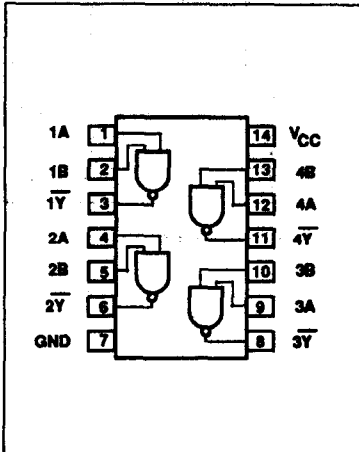
INPUT AND OUTPUT LOADING AND FAN-OUT TABLE

PINS	DESCRIPTION	74ALS(U.L.) HIGH/LOW	LOAD VALUE HIGH/LOW
A, B	Inputs	1.0/1.0	$20\mu A/0.1mA$
\bar{Y}	Outputs	*OC/1.0	*OC/24mA

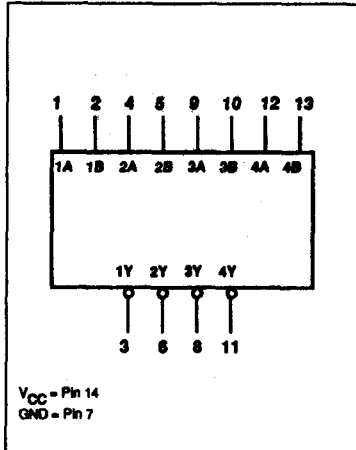
NOTE:

One (1.0) ALS Unit Load is defined as: $20\mu A$ in the High state and $0.1mA$ in the Low state.
 *OC = Open Collector

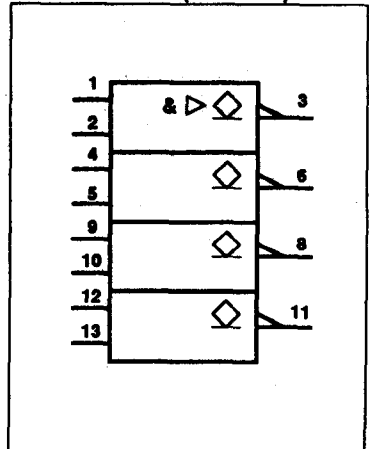
PIN CONFIGURATION



LOGIC SYMBOL



LOGIC SYMBOL (IEEE/IEC)



Buffer

74ALS38A

ABSOLUTE MAXIMUM RATINGS (Operation beyond the limits set forth in this table may impair the useful life of the device. Unless otherwise noted these limits are over the operating free-air temperature range.)

SYMBOL	PARAMETER	RATING	UNIT
V_{CC}	Supply voltage	-0.5 to +7.0	V
V_{IN}	Input voltage	-0.5 to +7.0	V
I_{IN}	Input current	-30 to +5	mA
V_{OUT}	Voltage applied to output in High output state	-0.5 to $+V_{CC}$	V
I_{OUT}	Current applied to output in Low output state	48	mA
T_A	Operating free-air temperature range	0 to +70	°C
T_{STG}	Storage temperature	-65 to +150	°C

RECOMMENDED OPERATING CONDITIONS

SYMBOL	PARAMETER	LIMITS			UNIT
		Min	Nom	Max	
V_{CC}	Supply voltage	4.5	5.0	5.5	V
V_{IH}	High-level input voltage	2.0			V
V_{IL}	Low-level input voltage			0.8	V
I_{IK}	Input clamp current			-18	mA
V_{OH}	High-level output voltage			5.5	V
I_{OL}	Low-level output current			24	mA
T_A	Operating free-air temperature range	0		70	°C

DC ELECTRICAL CHARACTERISTICS (Over recommended operating free-air temperature range unless otherwise noted.)

SYMBOL	PARAMETER	TEST CONDITIONS ¹	LIMITS			UNIT	
			Min	Typ ²	Max		
I_{OH}	High-level output current	$V_{CC} = \text{MIN}, V_{IL} = \text{MAX}, V_{IH} = \text{MIN}, V_{OH} = \text{MAX}$			100	μA	
V_{OL}	Low-level output voltage	$V_{CC} = \text{MIN}, V_{IL} = \text{MAX}$		0.25	0.4	V	
		$V_{IH} = \text{MIN}$	$I_{OL} = 12\text{mA}$	0.35	0.5	V	
V_{IK}	Input clamp voltage	$V_{CC} = \text{MIN}, I_1 = I_{IK}$			-1.5	V	
I_1	Input current at maximum input voltage	$V_{CC} = \text{MAX}, V_1 = 7.0\text{V}$			100	μA	
I_{IH}	High-level input current	$V_{CC} = \text{MAX}, V_1 = 2.7\text{V}$			20	μA	
I_{IL}	Low-level input current	$V_{CC} = \text{MAX}, V_1 = 0.4\text{V}$			-0.1	mA	
I_{CC}	Supply current (total)	I_{CCH}	$V_{CC} = \text{MAX}$	$V_{IN} = \text{GND}$	0.65	1.6	mA
		I_{CCL}		$V_{IN} = 4.5\text{V}$	6.5	9.0	mA

NOTES:

- For conditions shown as MIN or MAX, use the appropriate value specified under recommended operating conditions for the applicable type.
- All typical values are at $V_{CC} = 5\text{V}, T_A = 25^\circ\text{C}$.

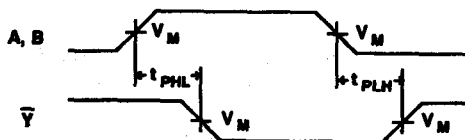
Buffer

74ALS38A

AC ELECTRICAL CHARACTERISTICS

SYMBOL	PARAMETER	TEST CONDITIONS	LIMITS		UNIT
			$T_A = 0^\circ\text{C to } +70^\circ\text{C}$ $V_{CC} = 5\text{V } \pm 10\%$ $R_L = 500\Omega$ $C_L = 50\text{pF}$		
			Min	Max	
t_{PLH} t_{PHL}	Propagation delay A, B to Y	Waveform 1	3.0 3.0	11 11	ns

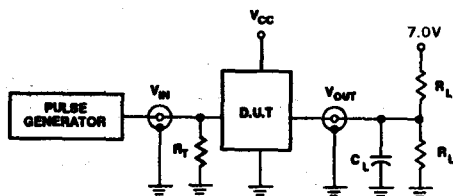
AC WAVEFORM



Waveform 1. Propagation Delay for Data to Output

NOTE: $V_M = 1.3\text{V}$

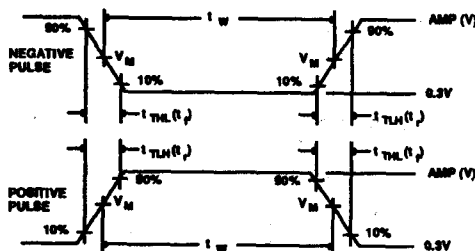
TEST CIRCUIT AND WAVEFORMS



Test Circuit for Open-Collector Outputs

DEFINITIONS

- R_L = Load resistor; see AC CHARACTERISTICS for value.
- C_L = Load capacitance includes jig and probe capacitance; see AC CHARACTERISTICS for value.
- R_T = Termination resistance should be equal to Z_{OUT} of pulse generators.



$V_M = 1.3\text{V}$

Input Pulse Definition

FAMILY	INPUT PULSE REQUIREMENTS				
	Amplitude	Rep. Rate	t_W	t_{TLH}	t_{THL}
74ALS	3.5V	1MHz	500ns	2.0ns	2.0ns

74ALS74A

FLIP-FLOP

74ALS74A Dual D-Type Flip-Flops with Set and Reset

Product Specification

DESCRIPTION

The 'ALS74A is a dual edge-triggered D-type flip-flop featuring individual data, Set and Reset inputs, with true and complementary outputs. Set (\bar{S}_D) and Reset (\bar{R}_D) are synchronous active-Low inputs and operate independently of the Clock (CP) input. When \bar{S}_D and \bar{R}_D are inactive (High), data at the D input is transferred to the Q and \bar{Q} outputs on the Low-to-High transition of the CP. Data must be stable one setup time prior to the Low-to-High clock transition for predictable operation. Clock triggering occurs at a voltage level and is not directly related to the transition time of the positive-going pulse. Following the hold time interval, data at the D input may be changed without affecting the levels at the outputs.

TYPE	TYPICAL f_{max}	TYPICAL SUPPLY CURRENT (TOTAL)
74ALS74A	150 MHz	3.0mA

ORDERING INFORMATION

PACKAGES	COMMERCIAL RANGE $V_{CC} = 5V \pm 10\%$; $T_A = 0^\circ C$ to $+70^\circ C$
14-Pin Plastic DIP	N74ALS74AN
14-Pin Plastic SO	N74ALS74AD

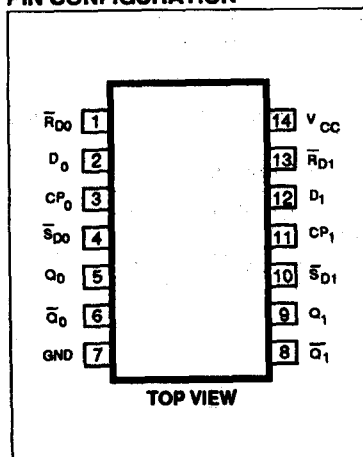
INPUT AND OUTPUT LOADING AND FAN-OUT TABLE

PINS	DESCRIPTION	74F(U.L.) HIGH/LOW	LOAD VALUE HIGH/LOW
D_0, D_1	Data inputs	1.0/2.0	20 μ A/0.2mA
CP_0, CP_1	Clock inputs (Acting rising edge)	1.0/2.0	20 μ A/0.2mA
$\bar{S}_{D0}, \bar{S}_{D1}$	Set inputs (Active Low)	2.0/4.0	40 μ A/0.4mA
$\bar{R}_{D0}, \bar{R}_{D1}$	Reset inputs (Active Low)	2.0/4.0	40 μ A/0.4mA
$Q_0, Q_1, \bar{Q}_0, \bar{Q}_1$	Data outputs	20/80	0.4mA/8mA

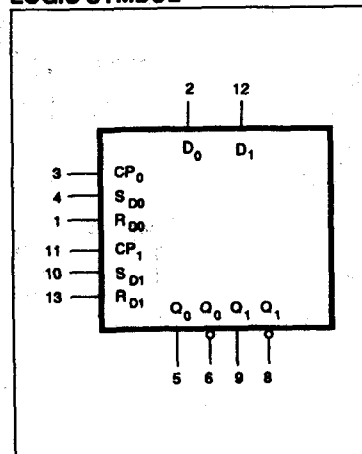
NOTE:

One (1.0) ALS Unit Load is defined as: 20 μ A in the High state and 0.1mA in the Low state.

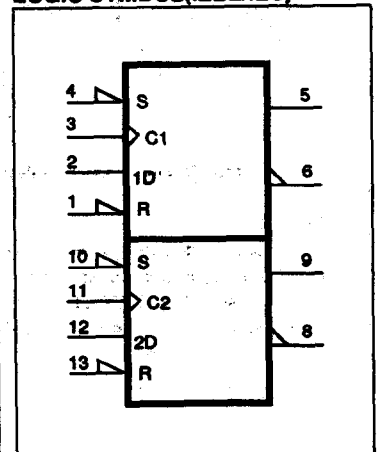
PIN CONFIGURATION



LOGIC SYMBOL



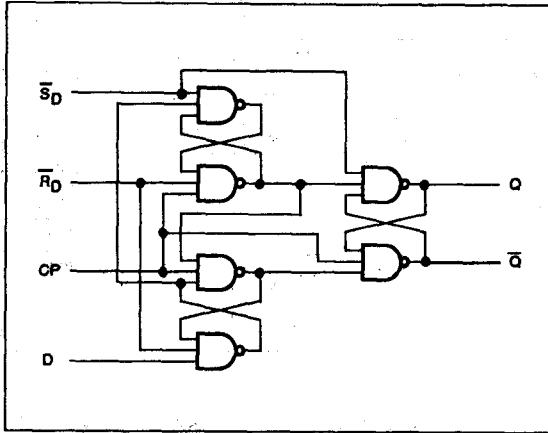
LOGIC SYMBOL (IEEE/IEC)



FLIP-FLOP

74ALS74A

LOGIC DIAGRAM



FUNCTION TABLE

INPUTS				OUTPUTS		OPERATING MODE
\bar{S}_D	\bar{R}_D	CP	D	Q	\bar{Q}	
L	H	X	X	H	L	Asynchronous Set
H	L	X	X	L	H	Asynchronous Reset
L	L	X	X	H*	H*	Undetermined*
H	H	↑	h	H	L	Load "1"
H	H	↑	l	L	H	Load "0"
H	H	L	X	NC	NC	Hold

H = High voltage level

h = High voltage level one setup time prior to Low-to-High clock transition

L = Low voltage level

l = Low voltage level one setup time prior to Low-to-High clock transition

NC = No change from the previous setup

X = Don't care

↑ = Low-to-High clock transition

* = Both outputs will be High while both \bar{S}_D and \bar{R}_D are Low, but the output states are unpredictable if \bar{S}_D and \bar{R}_D go High simultaneously.
ABSOLUTE MAXIMUM RATINGS (Operation beyond the limits set forth in this table may impair the useful life of the device. Unless otherwise noted these limits are over the operating free-air temperature range.)

SYMBOL	PARAMETER	RATING	UNIT
V_{CC}	Supply voltage	-0.5 to +7.0	V
V_{IN}	Input voltage	-0.5 to +7.0	V
I_{IN}	Input current	-30 to +5	mA
V_{OUT}	Voltage applied to output in High output state	-0.5 to $+V_{CC}$	V
I_{OUT}	Current applied to output in Low output state	16	mA
T_A	Operating free-air temperature range	0 to +70	°C
T_{STG}	Storage temperature	-65 to +150	°C

FLIP-FLOP

74ALS74A

RECOMMENDED OPERATING CONDITIONS

SYMBOL	PARAMETER	LIMITS			UNIT
		Min	Nom	Max	
V_{CC}	Supply voltage	4.5	5.0	5.5	V
V_{IH}	High-level input voltage	2.0			V
V_{IL}	Low-level input voltage			0.8	V
I_{IK}	Input clamp current			-18	mA
I_{OH}	High-level output current			-0.4	mA
I_{OL}	Low-level output current			8	mA
T_A	Operating free-air temperature range	0		70	°C

DC ELECTRICAL CHARACTERISTICS (Over recommended operating free-air temperature range unless otherwise noted.)

SYMBOL	PARAMETER	TEST CONDITIONS ¹	LIMITS			UNIT
			Min	Typ ²	Max	
V_{OH}	High-level output voltage	$V_{CC} \pm 10\%$, $V_{IL} = \text{MAX}$, $V_{IH} = \text{MIN}$, $I_{OH} = \text{MAX}$	V_{CC}^2			V
V_{OL}	Low-level output voltage	$V_{CC} = \text{MIN}$, $V_{IL} = \text{MAX}$, $V_{IH} = \text{MIN}$, $I_{OL} = 4\text{mA}$		0.25	0.4	V
			$I_{OL} = 8\text{mA}$		0.35	0.5
V_{IK}	Input clamp voltage	$V_{CC} = \text{MIN}$, $I_I = I_{IK}$		-0.73	-1.5	V
I_I	Input current at maximum input voltage	D_n, CP_n $\overline{S}_{Dn}, \overline{R}_{Dn}$ $V_{CC} = \text{MAX}$, $V_I = 7.0\text{V}$			0.1	mA
					0.2	mA
I_{IH}	High-level input current	D_n, CP_n $\overline{S}_{Dn}, \overline{R}_{Dn}$ $V_{CC} = \text{MAX}$, $V_I = 2.7\text{V}$			20	μA
				-120	-40	μA
I_{IL}	Low-level input current	D_n, CP_n $\overline{S}_{Dn}, \overline{R}_{Dn}$ $V_{CC} = \text{MAX}$, $V_I = 0.4\text{V}$			-0.2	mA
					-0.4	mA
I_O	Output current ³	$V_{CC} = \text{MAX}$, $V_O = 2.25\text{V}$	-30		-112	mA
I_{CC}	Supply current (total) ⁴	$V_{CC} = \text{MAX}$		3.0	4.0	mA

NOTES:

1. For conditions shown as MIN or MAX, use the appropriate value specified under recommended operating conditions for the applicable type.
2. All typical values are at $V_{CC} = 5\text{V}$, $T_A = 25^\circ\text{C}$.
3. The output conditions have been chosen to produce a current that closely approximates one half of the true short-circuit output current, I_{OS} .
4. Measure I_{CC} with the D_n, CP_n , and \overline{S}_{Dn} grounded, then with D_n, CP_n , and \overline{R}_{Dn} grounded.

FLIP-FLOP

74ALS74A

AC ELECTRICAL CHARACTERISTICS

SYMBOL	PARAMETER	TEST CONDITION	74ALS74A		UNIT
			$T_A = 0^\circ\text{C to } +70^\circ\text{C}$ $V_{CC} = 5V \pm 10\%$ $C_L = 50\text{pF}$ $R_L = 500\Omega$		
			MIN	MAX	
f_{MAX}	Maximum clock frequency	Waveform 1	80		MHz
t_{PLH} t_{PHL}	Propagation delay S_{Dn} or R_{Dn} to Q_n or \bar{Q}_n	Waveform 2, 3	1.0 3.0	8.0 10.0	ns
t_{PLH} t_{PHL}	Propagation delay CP to Q_n or \bar{Q}_n	Waveform 1	3.0 3.0	14.0 14.0	ns

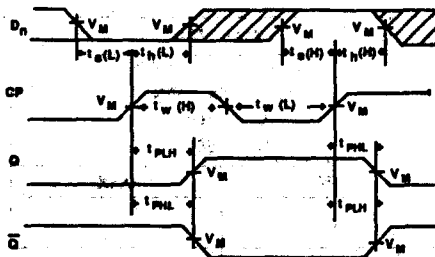
AC SETUP REQUIREMENTS

SYMBOL	PARAMETER	TEST CONDITION	74ALS74A		UNIT
			$T_A = 0^\circ\text{C to } +70^\circ\text{C}$ $V_{CC} = 5V \pm 10\%$ $C_L = 50\text{pF}$ $R_L = 500\Omega$		
			MIN	MAX	
$t_s(H)$ $t_s(L)$	Setup time, High or Low D_n to CP	Waveform 1	6.0 6.0		ns
$t_h(H)$ $t_h(L)$	Hold time, High or Low D_n to CP	Waveform 1	0 0		ns
$t_w(H)$ $t_w(L)$	Clock pulse width, High or Low	Waveform 1	6.0 6.0		ns
$t_w(L)$	S_{Dn} or R_{Dn} pulse width, Low	Waveform 2, 3	6.0		ns
t_{rec}	Recovery time S_{Dn} or R_{Dn} to CP	Waveform 2, 3	6.0		ns

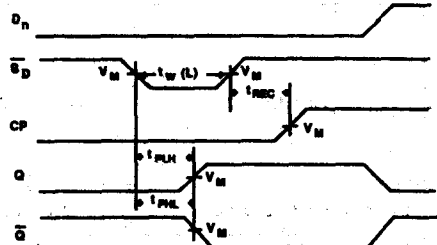
FLIP-FLOP

74ALS74A

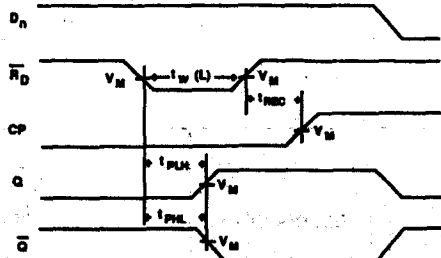
AC WAVEFORMS



Waveform 1. Propagation delay for data to output, data setup time and hold times and clock width



Waveform 2. Propagation delay for set to output, set pulse width and recovery time for set to clock

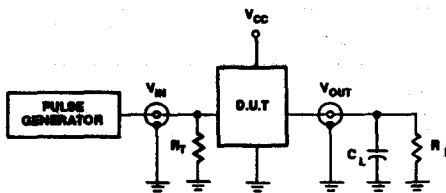


Waveform 3. Propagation delay for reset to output, reset pulse width and recovery time for reset to clock

NOTE: For all waveforms, $V_M = 1.3V$.

The shaded areas indicate when the input is permitted to change for predictable output performance.

TEST CIRCUIT AND WAVEFORMS



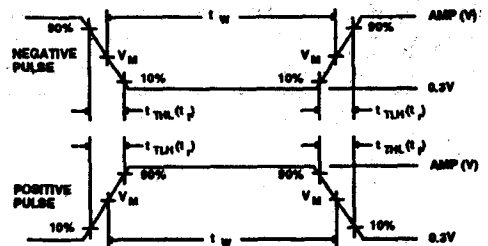
Test Circuit For Totem-Pole Outputs

DEFINITIONS

R_L = Load resistor; see AC CHARACTERISTICS for value.

C_L = Load capacitance includes jig and probe capacitance; see AC CHARACTERISTICS for value.

R_T = Termination resistance should be equal to Z_{OUT} of pulse generators.



$V_M = 1.3V$
Input Pulse Definition

FAMILY	INPUT PULSE REQUIREMENTS				
	Amplitude	Rep. Rate	t_w	t_{TLH}	t_{THL}
74ALS	3.5V	1MHz	500ns	2.0ns	2.0ns

74ALS86

Quad 2-Input Exclusive-OR Gates

Product Specification

DESCRIPTION

These devices contain four independent 2-input Exclusive-OR gates. A common application is a true/complement element. If one input is held Low, the signal on the other input will be reproduced in true form at the output. If one input is held High, the signal on the other input will be reproduced inverted at the output.

FUNCTION TABLE

INPUTS		OUTPUT
A	B	Y
L	L	L
L	H	H
H	L	H
H	H	L

NOTES:

H = High voltage level
L = Low voltage level

TYPE	TYPICAL PROPAGATION DELAY	TYPICAL SUPPLY CURRENT (TOTAL)
74ALS86	6.0 ns	3.9 mA

ORDERING INFORMATION

PACKAGES	COMMERCIAL RANGE $V_{CC} = 5V \pm 10\%$; $T_A = 0^\circ C$ to $+70^\circ C$
14-Pin Plastic DIP	74ALS86N
14-Pin Plastic SO	74ALS86D

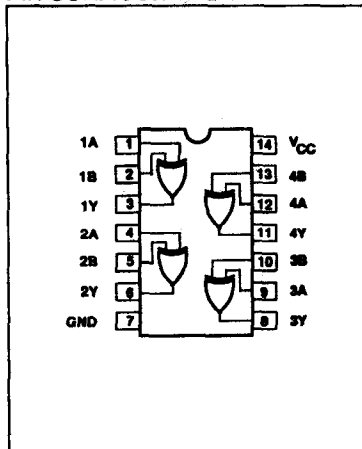
INPUT AND OUTPUT LOADING AND FAN-OUT TABLE

PINS	DESCRIPTION	74ALS(U.L.) HIGH/LOW	LOAD VALUE HIGH/LOW
nA, nB	Data inputs	1.0/1.0	20 μ A/0.1mA
nY	Data Output	20/80	0.4mA/8mA

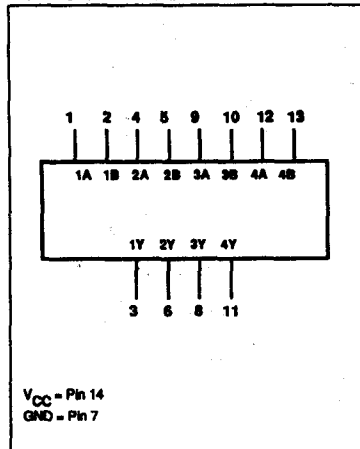
NOTE:

One (1.0) ALS Unit Load is defined as: 20 μ A in the High state and 0.1mA in the Low state.

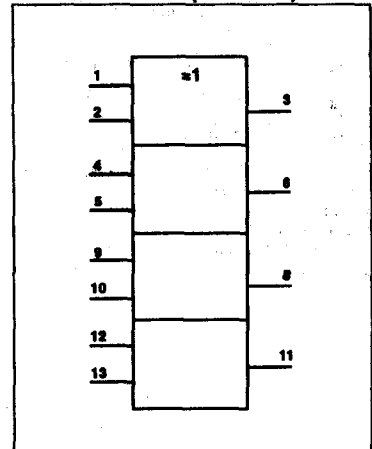
PIN CONFIGURATION



LOGIC SYMBOL



LOGIC SYMBOL (IEEE/IEC)



Quad 2-Input Exclusive-OR Gates

74ALS86

ABSOLUTE MAXIMUM RATINGS (Operation beyond the limits set forth in this table may impair the useful life of the device. Unless otherwise noted these limits are over the operating free-air temperature range.)

SYMBOL	PARAMETER	RATING	UNIT
V_{CC}	Supply voltage	-0.5 to +7.0	V
V_{IN}	Input voltage	-0.5 to +7.0	V
I_{IN}	Input current	-30 to +5	mA
V_{OUT}	Voltage applied to output in High output state	-0.5 to $+V_{CC}$	V
I_{OUT}	Current applied to output in Low output state	16	mA
T_A	Operating free-air temperature range	0 to +70	°C
T_{STG}	Storage temperature	-65 to +150	°C

RECOMMENDED OPERATING CONDITIONS

SYMBOL	PARAMETER	LIMITS			UNIT
		Min	Nom	Max	
V_{CC}	Supply voltage	4.5	5.0	5.5	V
V_{IH}	High-level input voltage	2.0			V
V_{IL}	Low-level input voltage			0.8	V
I_{IK}	Input clamp current			-18	mA
I_{OH}	High-level output current			-0.4	mA
I_{OL}	Low-level output current			8	mA
T_A	Operating free-air temperature range	0		70	°C

DC ELECTRICAL CHARACTERISTICS (Over recommended operating free-air temperature range unless otherwise noted.)

SYMBOL	PARAMETER	TEST CONDITIONS ¹	LIMITS			UNIT
			Min	Typ ²	Max	
V_{OH}	High-level output voltage	$V_{CC} \pm 10\%$, $V_{IL} = \text{MAX}$, $V_{IH} = \text{MIN}$, $I_{OH} = \text{MAX}$	$V_{CC} - 2$			V
V_{OL}	Low-level output voltage	$V_{CC} = \text{MIN}$, $V_{IL} = \text{MAX}$, $V_{IH} = \text{MIN}$				
			$I_{OL} = 4\text{mA}$	0.25	0.4	V
			$I_{OL} = 8\text{mA}$	0.35	0.5	V
V_{IK}	Input clamp voltage	$V_{CC} = \text{MIN}$, $I_I = I_{IK}$				-1.5 V
I_I	Input current at maximum input voltage	$V_{CC} = \text{MAX}$, $V_I = 7.0\text{V}$				0.1 mA
I_{IH}	High-level input current	$V_{CC} = \text{MAX}$, $V_I = 2.7\text{V}$				20 μA
I_{IL}	Low-level input current	$V_{CC} = \text{MAX}$, $V_I = 0.4\text{V}$				-0.1 mA
I_O	Output current ³	$V_{CC} = \text{MAX}$, $V_O = 2.25\text{V}$	-30			-112 mA
I_{CC}	Supply current (total)	$V_{CC} = \text{MAX}$, $V_I = 4.5\text{V}$		3.9	5.9	mA

NOTES:

- For conditions shown as MIN or MAX, use the appropriate value specified under recommended operating conditions for the applicable type.
- All typical values are at $V_{CC} = 5\text{V}$, $T_A = 25^\circ\text{C}$.
- The output conditions have been chosen to produce current that closely approximates one half of the true short-circuit output current, I_{OS} .

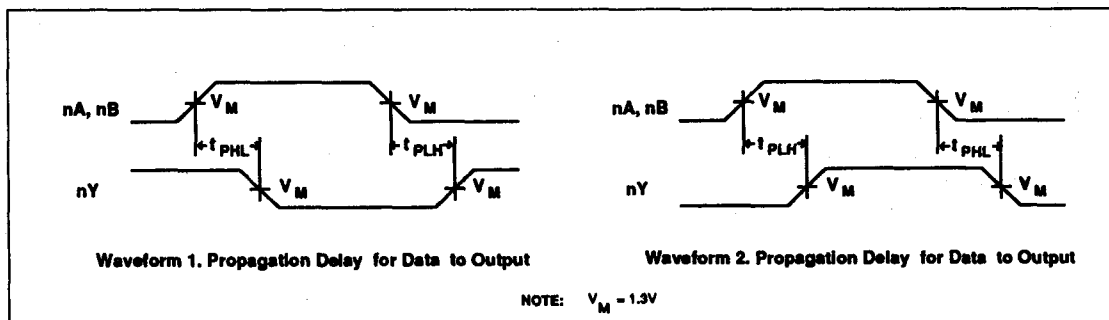
Quad 2-Input Exclusive-OR Gates

74ALS86

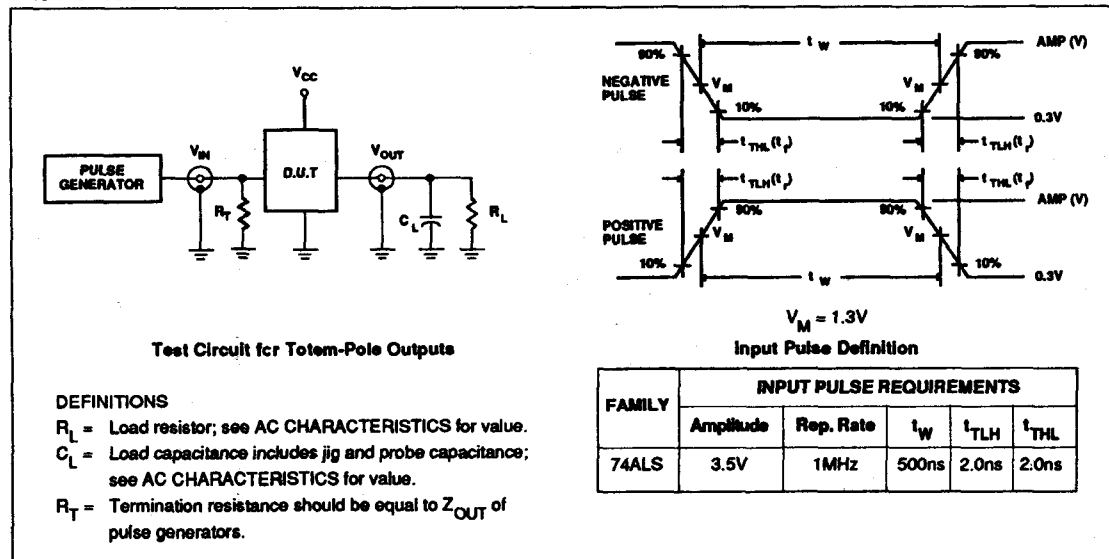
AC ELECTRICAL CHARACTERISTICS

SYMBOL	PARAMETER	TEST CONDITIONS	LIMITS		UNIT
			$T_A = 0^\circ\text{C to } +70^\circ\text{C}$		
			$V_{CC} = 5V \pm 10\%$ $R_L = 500\Omega$ $C_L = 50\text{pF}$		
			Min	Max	
t_{PLH} t_{PHL}	Propagation delay nA or nB to nY	Waveform 2 (other input Low)	2.0	12.0	ns
t_{PLH} t_{PHL}	Propagation delay nA or nB to nY	Waveform 1 (other input High)	2.0	12.0	ns

AC WAVEFORM



TEST CIRCUIT AND WAVEFORMS



74ALS109A

FLIP-FLOP

74ALS109A Dual J-K Positive Edge-Triggered Flip-Flops With Set and Reset

Product Specification

DESCRIPTION

The 'ALS109A is a dual positive edge-triggered JK-type flip-flop featuring individual J, K, Clock, Set and Reset inputs; also true and complementary outputs.

Set (\bar{S}_D) and Reset (\bar{R}_D) are asynchronous active-Low inputs and operate independently of the Clock (CP) input.

The J and K are edge-triggered inputs which control the state changes of the flip-flops as described in the Mode Select Function Table.

The J and K inputs must be stable just one setup time prior to the Low-to-High transition of the clock for predictable operation. The JK design allows operation as a D flip-flop by tying J and K inputs together.

Although the clock input is level sensitive, the positive transition of the clock pulse between the 0.8V and 2.0V levels should be equal to or less than the clock to output delay time for reliable operation.

TYPE	TYPICAL f_{MAX}	TYPICAL SUPPLY CURRENT (TOTAL)
74ALS109A	150 MHz	3.0mA

ORDERING INFORMATION

PACKAGES	COMMERCIAL RANGE
	$V_{CC} = 5V \pm 10\%$; $T_A = 0^\circ C$ to $+70^\circ C$
16-Pin Plastic DIP	74ALS109AN
16-Pin Plastic SO	74ALS109AD

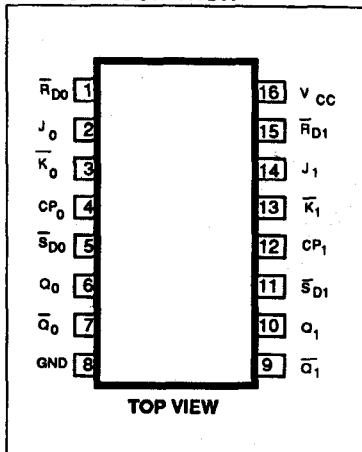
INPUT AND OUTPUT LOADING AND FAN-OUT TABLE

PINS	DESCRIPTION	74F(U.L.) HIGH/LOW	LOAD VALUE HIGH/LOW
J_0, J_1	J inputs	1.0/2.0	20 μ A/0.2mA
K_0, K_1	K inputs	1.0/2.0	20 μ A/0.2mA
CP_0, CP_1	Clock inputs (Acting rising edge)	1.0/2.0	20 μ A/0.2mA
S_{D0}, S_{D1}	Set inputs (Active Low)	1.0/4.0	20 μ A/0.4mA
R_{D0}, R_{D1}	Reset inputs (Active Low)	1.0/4.0	20 μ A/0.4mA
$Q_0, \bar{Q}_0, Q_1, \bar{Q}_1$	Data outputs	20/80	0.4mA/6mA

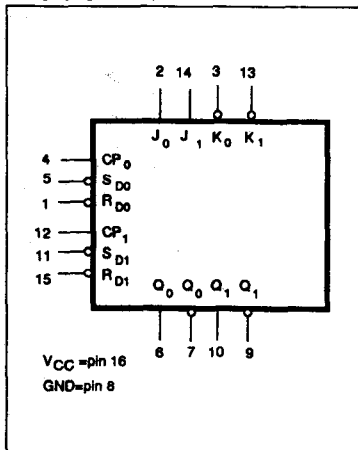
NOTE:

One (1.0) ALS Unit Load is defined as: 20 μ A in the High state and 0.1mA in the Low state.

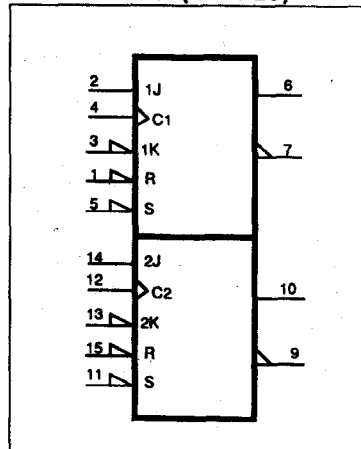
PIN CONFIGURATION



LOGIC SYMBOL



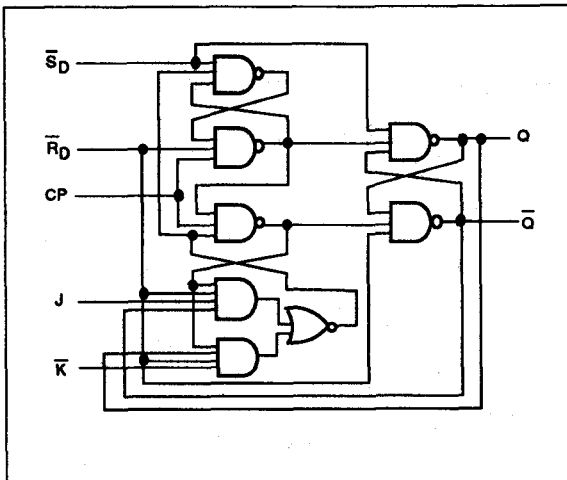
LOGIC SYMBOL (IEEE/IEC)



FLIP-FLOP

74ALS109A

LOGIC DIAGRAM



FUNCTION TABLE

INPUTS					OUTPUTS		OPERATING MODE
\bar{S}_D	\bar{R}_D	CP	J	K	Q	\bar{Q}	
L	H	X	X	X	H	L	Asynchronous Set
H	L	X	X	X	L	H	Asynchronous Reset
L	L	X	X	X	H*	H*	Undetermined*
H	H	\uparrow	h	l	\bar{q}	q	Toggle
H	H	\uparrow	l	l	L	H	Load "0"
H	H	\uparrow	h	h	H	L	Load "1"
H	H	\uparrow	L	h	q	\bar{q}	Hold "no change"
H	H	L	X	X	q	\bar{q}	Hold "no change"

H = High voltage level

h = High voltage level one setup time prior to Low-to-High clock transition

L = Low voltage level

l = Low voltage level one setup time prior to Low-to-High clock transition

NC = No change from the previous setup

X = Don't care

 \uparrow = Low-to-High clock transition

* = The output levels in this configuration are not guaranteed to meet the

minimum levels for V_{OH} if the Set and Reset are near V_{IH} maximum.

Furthermore, this configuration is nonstable; that is, it will not remain

when either Set or Reset returns to its inactive (High) level.

ABSOLUTE MAXIMUM RATINGS (Operation beyond the limits set forth in this table may impair the useful life of the device. Unless otherwise noted these limits are over the operating free-air temperature range.)

SYMBOL	PARAMETER	RATING	UNIT
V_{CC}	Supply voltage	-0.5 to +7.0	V
V_{IN}	Input voltage	-0.5 to +7.0	V
I_{IN}	Input current	-30 to +5	mA
V_{OUT}	Voltage applied to output in High output state	-0.5 to $+V_{CC}$	V
I_{OUT}	Current applied to output in Low output state	16	mA
T_A	Operating free-air temperature range	0 to +70	$^{\circ}$ C
T_{STG}	Storage temperature	-65 to +150	$^{\circ}$ C

FLIP-FLOP

74ALS109A

RECOMMENDED OPERATING CONDITIONS

SYMBOL	PARAMETER	LIMITS			UNIT
		Min	Nom	Max	
V_{CC}	Supply voltage	4.5	5.0	5.5	V
V_{IH}	High-level input voltage	2.0			V
V_{IL}	Low-level input voltage			0.8	V
I_{IK}	Input clamp current			-18	mA
I_{OH}	High-level output current			-0.4	mA
I_{OL}	Low-level output current			8	mA
T_A	Operating free-air temperature range	0		70	°C

DC ELECTRICAL CHARACTERISTICS (Over recommended operating free-air temperature range unless otherwise noted.)

SYMBOL	PARAMETER	TEST CONDITIONS ¹		LIMITS			UNIT
				Min	Typ ²	Max	
V_{OH}	High-level output voltage	$V_{CC} \pm 10\%$, $V_{IL} = \text{MAX}$, $V_{IH} = \text{MIN}$	$I_{OH} = \text{MAX}$	V_{CC}^{-2}			V
V_{OL}	Low-level output voltage	$V_{CC} = \text{MIN}$, $V_{IL} = \text{MAX}$, $V_{IH} = \text{MIN}$	$I_{OL} = 4\text{mA}$		0.25	0.4	V
			$I_{OL} = 8\text{mA}$		0.35	0.5	V
V_{IK}	Input clamp voltage	$V_{CC} = \text{MIN}$, $I_I = I_{IK}$			-0.73	-1.5	V
I_I	Input current at maximum input voltage	J, R, CP_n S_{on}, R_{on}	$V_{CC} = \text{MAX}$, $V_I = 7.0\text{V}$			0.1	mA
							0.2
I_{IH}	High-level input current	J, R, CP_n S_{on}, R_{on}	$V_{CC} = \text{MAX}$, $V_I = 2.7\text{V}$			20	μA
						-120	-40
I_{IL}	Low-level input current	J, R, CP_n S_{on}, R_{on}	$V_{CC} = \text{MAX}$, $V_I = 0.4\text{V}$			-0.2	mA
							-0.4
I_O	Output current ³	$V_{CC} = \text{MAX}$, $V_O = 2.25\text{V}$			-30	-112	mA
I_{CC}	Supply current (total) ⁴	$V_{CC} = \text{MAX}$			3.0	4.0	mA

NOTES:

- For conditions shown as MIN or MAX, use the appropriate value specified under recommended operating conditions for the applicable type.
- All typical values are at $V_{CC} = 5\text{V}$, $T_A = 25^\circ\text{C}$.
- The output conditions have been chosen to produce a current that closely approximates one half of the true short-circuit output current, I_{OS} .
- Measure I_{CC} with the clock input grounded and all outputs open, then with Q and \bar{Q} outputs High in turn.

FLIP-FLOP

74ALS109A

AC ELECTRICAL CHARACTERISTICS

SYMBOL	PARAMETER	TEST CONDITION	74ALS109A		UNIT
			$T_A = 0^\circ\text{C to } +70^\circ\text{C}$ $V_{CC} = 5V \pm 10\%$ $C_L = 50\text{pF}$ $R_L = 500\Omega$		
			Min	Max	
f_{MAX}	Maximum clock frequency	Waveform 1	80		MHz
t_{PLH} t_{PHL}	Propagation delay S_{Dn} or \bar{R}_{Dn} to Q_n or \bar{Q}_n	Waveform 2, 3	1.0 3.0	8.0 10.0	ns
t_{PLH} t_{PHL}	Propagation delay CP to Q_n or \bar{Q}_n	Waveform 1	3.0 3.0	14.0 14.0	ns

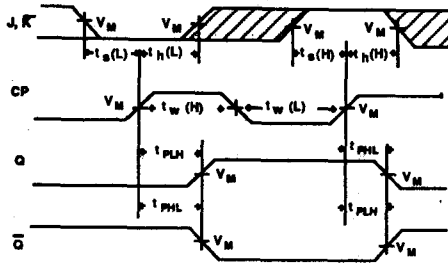
AC SETUP REQUIREMENTS

SYMBOL	PARAMETER	TEST CONDITION	74ALS109A		UNIT
			$T_A = 0^\circ\text{C to } +70^\circ\text{C}$ $V_{CC} = 5V \pm 10\%$ $C_L = 50\text{pF}$ $R_L = 500\Omega$		
			Min	Max	
$t_s(H)$ $t_s(L)$	Setup time, High or Low J, K to CP	Waveform 1	6.0 6.0		ns
$t_h(H)$ $t_h(L)$	Hold time, High or Low J, K to CP	Waveform 1	0 0		ns
$t_w(H)$ $t_w(L)$	Clock pulse width, High or Low	Waveform 1	6.0 6.0		ns
$t_w(H)$	S_{Dn} or \bar{R}_{Dn} pulse width, Low	Waveform 2, 3	6.0		ns
t_{REC}	Recovery time S_{Dn} or \bar{R}_{Dn} to CP	Waveform 2, 3	6.0		ns

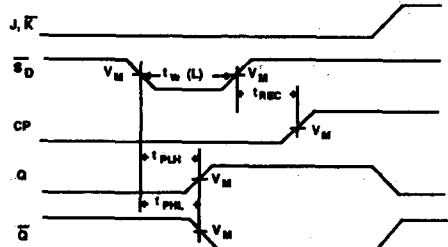
FLIP-FLOP

74ALS109A

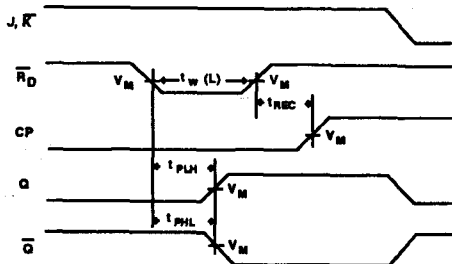
AC WAVEFORMS



Waveform 1. Propagation delay for data to output, data setup time and hold times and clock width



Waveform 2. Propagation delay for set to output, set pulse width and recovery time for set to clock

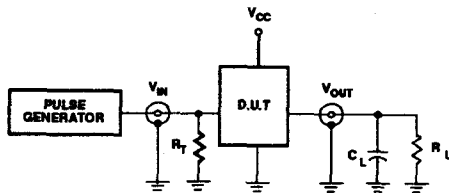


Waveform 3. Propagation delay for reset to output, reset pulse width and recovery time for reset to clock

NOTE: For all waveforms, $V_M = 1.3V$.

The shaded areas indicate when the input is permitted to change for predictable output performance.

TEST CIRCUIT AND WAVEFORMS



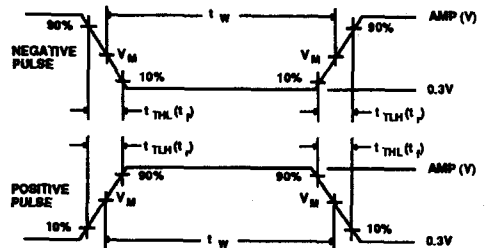
Test Circuit For Totem-Pole Outputs

DEFINITIONS

R_L = Load resistor; see AC CHARACTERISTICS for value.

C_L = Load capacitance includes jig and probe capacitance; see AC CHARACTERISTICS for value.

R_T = Termination resistance should be equal to Z_{OUT} of pulse generators.



$V_M = 1.3V$

Input Pulse Definition

FAMILY	INPUT PULSE REQUIREMENTS				
	Amplitude	Rep. Rate	t_w	t_{TLH}	t_{THL}
74ALS	3.5V	1MHz	500ns	2.0ns	2.0ns

74ALS112A

Flip-Flop

Dual J-K Negative Edge-triggered Flip-Flop
Preliminary Specification

DESCRIPTION

The 74ALS112A, Dual Negative Edge-Triggered JK-Type Flip-Flop, features individual J, K, Clock (\overline{CP}_n), Set (\overline{S}_D) and Reset (\overline{R}_D) inputs, true (Q_n) and complementary (\overline{Q}_n) outputs.

The \overline{S}_D and \overline{R}_D inputs, when Low, set or reset the outputs as shown in the Function Table regardless of the level at the other inputs.

A High level on the clock (\overline{CP}_n) input enables the J and K inputs and data will be accepted. The logic levels at the J and K inputs may be allowed to change while the \overline{CP}_n is High and the flip-flop will perform according to the Function Table as long as minimum setup and hold times are observed. Output changes are initiated by the High-to-Low transition of the \overline{CP}_n .

TYPE	TYPICAL f_{MAX}	TYPICAL SUPPLY CURRENT (TOTAL)
74ALS112A	50MHz	2.5mA

ORDERING INFORMATION

PACKAGES	COMMERCIAL RANGE $V_{CC} = 5V \pm 10\%$; $T_A = 0^\circ C$ to $+70^\circ C$
16-Pin Plastic DIP	N74ALS112AN
16-Pin Plastic SO	N74ALS112AD

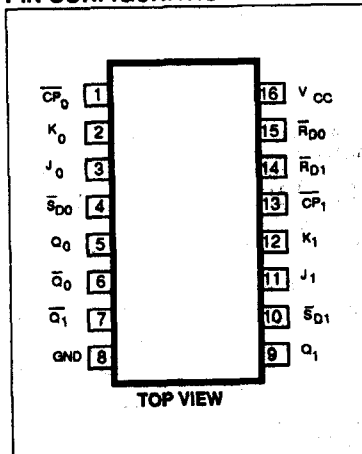
INPUT AND OUTPUT LOADING AND FAN-OUT TABLE

PINS	DESCRIPTION	74ALS(U.L.) HIGH/LOW	LOAD VALUE, HIGH/LOW
J_0, J_1	J inputs	1.0/2.0	20 μ A/0.2mA
K_0, K_1	K inputs	1.0/2.0	20 μ A/0.2mA
$\overline{S}_{D0}, \overline{S}_{D1}$	Set inputs (Active Low)	2.0/4.0	40 μ A/0.4mA
$\overline{R}_{D0}, \overline{R}_{D1}$	Reset inputs (Active Low)	2.0/4.0	40 μ A/0.4mA
$\overline{CP}_0, \overline{CP}_1$	Clock Pulse input (Active falling edge)	1.0/2.0	20 μ A/0.2mA
$Q_0, \overline{Q}_0; Q_1, \overline{Q}_1$	Data outputs	20/80	0.4mA/8mA

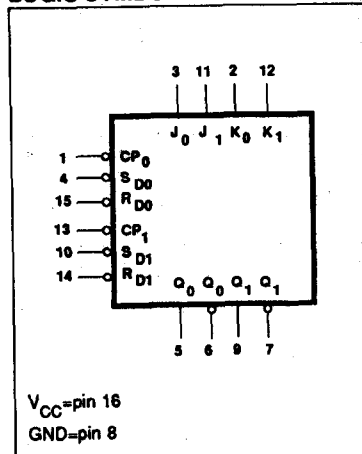
NOTE:

One (1.0) ALS Unit Load is defined as: 20 μ A in the High state and 0.6mA in the Low state.

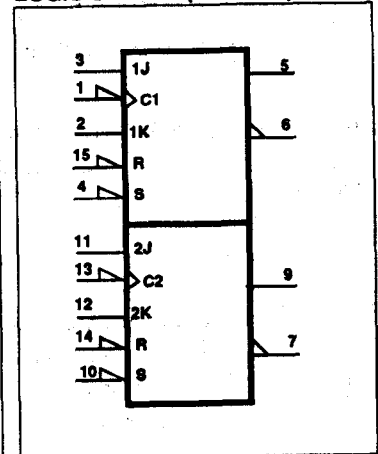
PIN CONFIGURATION



LOGIC SYMBOL



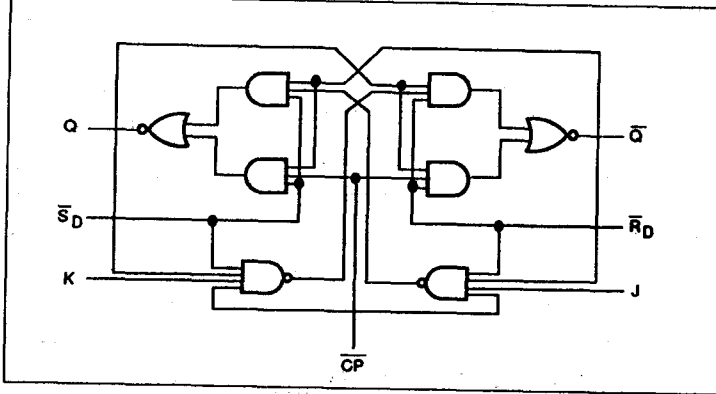
LOGIC SYMBOL (IEEE/IEC)



Flip-Flop

74ALS112A

LOGIC DIAGRAM



FUNCTION TABLE

INPUTS					OUTPUTS		OPERATING MODE
\bar{S}_D	\bar{R}_D	\bar{CP}	J	K	Q	\bar{Q}	
L	H	X	X	X	H	L	Asynchronous Set
H	L	X	X	X	L	H	Asynchronous Reset
L	L	X	X	X	H*	H*	Undetermined*
H	H	↓	h	h	\bar{q}	q	Toggle
H	H	↓	l	h	L	H	Load "0" (Reset)
H	H	↓	h	l	H	L	Load "1" (Set)
H	H	↓	l	l	q	\bar{q}	Hold "no change"
H	H	H	X	X	q	\bar{q}	Hold "no change"

H = High voltage level
 h = High voltage level one setup time prior to High-to-Low clock transition
 L = Low voltage level
 l = Low voltage level one setup time prior to High-to-Low clock transition
 q = Lower case letters indicate the state of the referenced output prior to the High-to-Low clock transition
 X = Don't care
 ↓ = High-to-Low clock transition
 Asynchronous inputs: Low input to \bar{S}_D sets Q to High level, Low input to \bar{R}_D sets Q to Low level
 Set and Reset are independent of clock
 Simultaneous Low on both \bar{S}_D and \bar{R}_D makes both Q and \bar{Q} High
 * = Both outputs will be High while both \bar{S}_D and \bar{R}_D are Low, but the output states are unpredictable if \bar{S}_D and \bar{R}_D go High simultaneously.

ABSOLUTE MAXIMUM RATINGS (Operation beyond the limits set forth in this table may impair the useful life of the device. Unless otherwise noted these limits are over the operating free-air temperature range.)

SYMBOL	PARAMETER	RATING	UNIT
V_{CC}	Supply voltage	-0.5 to +7.0	V
V_{IN}	Input voltage	-0.5 to +7.0	V
I_{IN}	Input current	-30 to +5	mA
V_{OUT}	Voltage applied to output in High output state	-0.5 to + V_{CC}	V
I_{OUT}	Current applied to output in Low output state	16	mA
T_A	Operating free-air temperature range	0 to +70	°C
T_{STG}	Storage temperature	-65 to +150	°C

Flip-Flop

74ALS112A

RECOMMENDED OPERATING CONDITIONS

SYMBOL	PARAMETER	LIMITS			UNIT
		Min	Nom	Max	
V_{CC}	Supply voltage	4.5	5.0	5.5	V
V_{IH}	High-level input voltage	2.0			V
V_{IL}	Low-level input voltage			0.8	V
I_{IK}	Input clamp current			-18	mA
I_{OH}	High-level output current			-0.4	mA
I_{OL}	Low-level output current			8	mA
T_A	Operating free-air temperature range	0		70	°C

DC ELECTRICAL CHARACTERISTICS (Over recommended operating free-air temperature range unless otherwise noted.)

SYMBOL	PARAMETER	TEST CONDITIONS ¹	LIMITS			UNIT	
			Min	Typ ²	Max		
V_{OH}	High-level output voltage	$V_{CC} \pm 10\%$, $V_{IL} = \text{MAX}$, $V_{IH} = \text{MIN}$, $I_{OH} = -0.4\text{mA}$	$V_{CC} - 2$			V	
V_{OL}	Low-level output voltage	$V_{CC} = \text{MIN}$, $V_{IL} = \text{MAX}$ $V_{IH} = \text{MIN}$, $I_{OL} = \text{MAX}$		$I_{OL} = 4\text{mA}$	0.25	0.40	V
				$I_{OL} = 8\text{mA}$	0.35	0.50	V
V_{IK}	Input clamp voltage	$V_{CC} = \text{MIN}$, $I_I = I_{IK}$			-0.73	-1.5	V
I_I	Input current at maximum input voltage	$V_{CC} = \text{MAX}$, $V_I = 7.0\text{V}$				100	μA
						200	μA
I_{IH}	High-level input current	$V_{CC} = \text{MAX}$, $V_I = 2.7\text{V}$				20	μA
						40	μA
I_{IL}	Low-level input current	$V_{CC} = \text{MAX}$, $V_I = 0.4\text{V}$				-0.2	mA
						-0.4	mA
I_O^3	Output current	$V_{CC} = \text{MAX}$, $V_O = 2.25\text{V}$	-30			-112	mA
I_{CC}	Supply current (total)	$V_{CC} = \text{MAX}$		2.5	4.5	mA	

NOTES:

- For conditions shown as MIN or MAX, use the appropriate value specified under recommended operating conditions for the applicable type.
- All typical values are at $V_{CC} = 5\text{V}$, $T_A = 25^\circ\text{C}$.
- The output conditions have been chosen to produce a current that closely approximates one half of the true short-circuit output current, I_{OS} .

Flip-Flop

74ALS112A

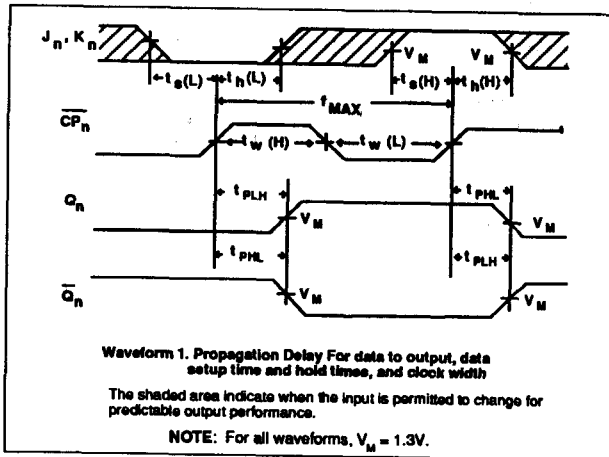
AC ELECTRICAL CHARACTERISTICS

SYMBOL	PARAMETER	TEST CONDITION	LIMITS		UNIT
			$T_A = 0^\circ\text{C to } +70^\circ\text{C}$ $V_{CC} = 5V \pm 10\%$ $C_L = 50\text{pF}$ $R_L = 500\Omega$		
			Min	Max	
f_{MAX}	Maximum clock frequency	Waveform 1	30		MHz
t_{PLH} t_{PHL}	Propagation delay CP_n to Q_n or \bar{Q}_n	Waveform 1	3 5	15 19	ns
t_{PLH} t_{PHL}	Propagation delay S_{Dn} , R_{Dn} to Q_n or \bar{Q}_n	Waveform 2,3	3 4	15 18	ns

AC SETUP REQUIREMENTS

SYMBOL	PARAMETER	TEST CONDITION	LIMITS		UNIT
			$T_A = 0^\circ\text{C to } +70^\circ\text{C}$ $V_{CC} = 5V \pm 10\%$ $C_L = 50\text{pF}$ $R_L = 500\Omega$		
			Min	Max	
$t_s(H)$ $t_s(L)$	Setup time, High or Low J_n , K_n to CP_n	Waveform 1	22 22		ns
$t_h(H)$ $t_h(L)$	Hold time, High or Low J_n , K_n to CP_n	Waveform 1	0 0		ns
$t_w(H)$ $t_w(L)$	CP_n Pulse width, High or Low	Waveform 1	16.5 16.5		ns
$t_w(L)$	S_{Dn} or R_{Dn} Pulse width, Low	Waveform 2,3	10		ns
t_{rec}	Recovery time S_{Dn} or R_{Dn} to CP_n	Waveform 2,3	20		ns

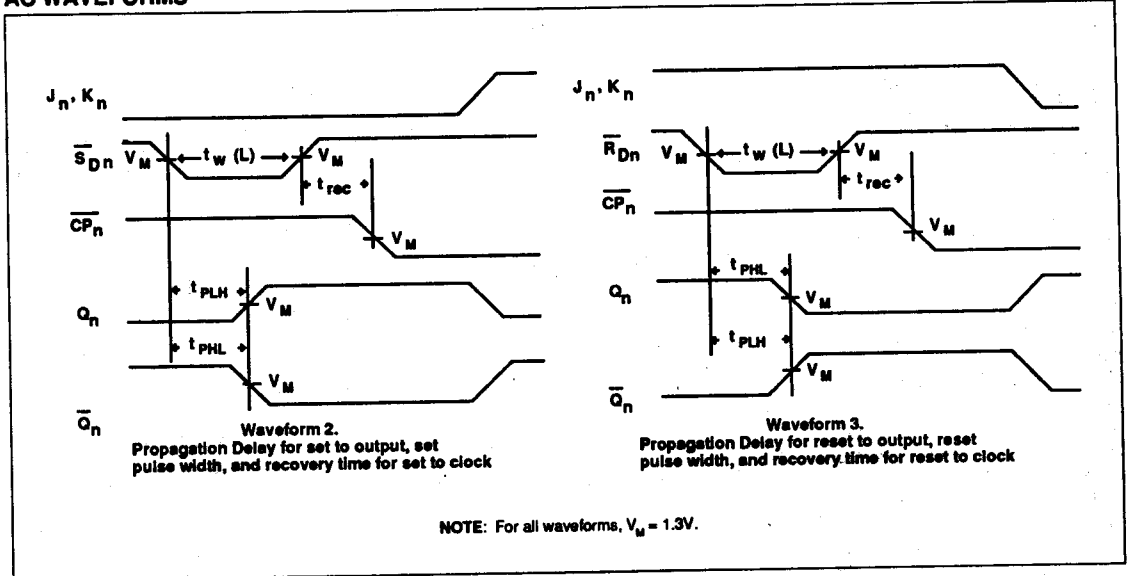
AC WAVEFORMS



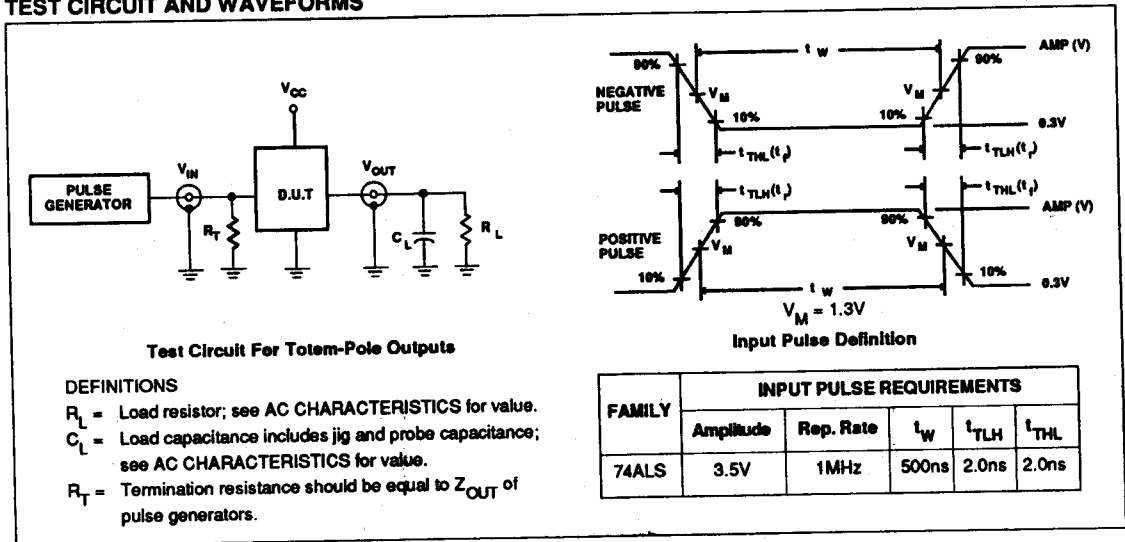
Flip-Flop

74ALS112A

AC WAVEFORMS



TEST CIRCUIT AND WAVEFORMS



74ALS138

Decoder/Demultiplexer

1-Of-8 Decoder//Demultiplexer

Preliminary Specification

FEATURES

- Demultiplexing capability
- Multiple input enable for easy expansion
- Ideal for memory chip select decoding

TYPE	TYPICAL PROPAGATION DELAY	TYPICAL SUPPLY CURRENT (TOTAL)
74ALS138	12ns	5mA

DESCRIPTION

The 74ALS138 decoder accepts three binary weighted inputs (A_0, A_1, A_2) and when enabled, provides eight mutually exclusive, active-Low outputs ($\bar{Q}_0-\bar{Q}_7$). The device features three Enable inputs; two active-Low (\bar{E}_0, \bar{E}_1) and one active High (E_2). Every output will be High unless \bar{E}_0 and \bar{E}_1 are Low and E_2 is High. This multiple enable function allows easy parallel expansion of the device to a 1-of-32 (5 lines to 32 lines) decoder with just four 'ALS138s and one inverter. The device can be used as an eight output demultiplexer by using one of the active-Low Enable inputs as the Data input and the remaining Enable inputs as strobes. Enable inputs not used must be permanently tied to their appropriate active-High or active-Low state.

ORDERING INFORMATION

PACKAGES	COMMERCIAL RANGE $V_{CC} = 5V \pm 10\%$; $T_A = 0^\circ C$ to $+70^\circ C$
16-Pin Plastic DIP	N74ALS138N
16-Pin Plastic SO	N74ALS138D

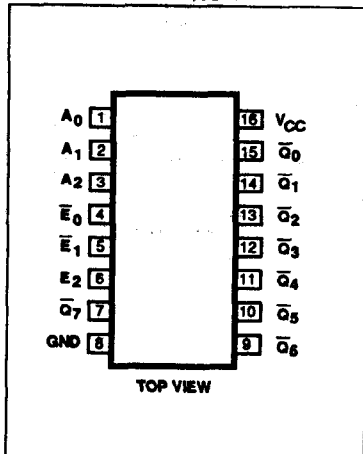
INPUT AND OUTPUT LOADING AND FAN-OUT TABLE

PINS	DESCRIPTION	74ALS(U.L.) HIGH/LOW	LOAD VALUE HIGH/LOW
A_0-A_2	Address inputs	1.0/1.0	20 μ A/0.1mA
\bar{E}_0, \bar{E}_1	Enable inputs (active Low)	1.0/1.0	20 μ A/0.1mA
E_2	Enable input (active Low)	1.0/1.0	20 μ A/0.1mA
$\bar{Q}_0-\bar{Q}_7$	Data outputs (active Low)	20/80	0.4mA/8mA

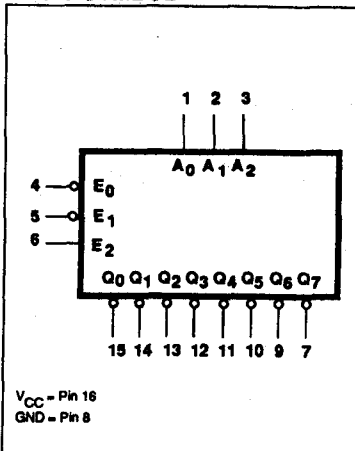
NOTE:

One (1.0) ALS Unit Load is defined as: 20 μ A in the High state and 0.1mA in the Low state.

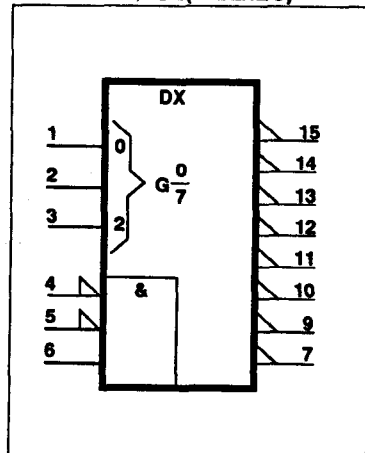
PIN CONFIGURATION



LOGIC SYMBOL



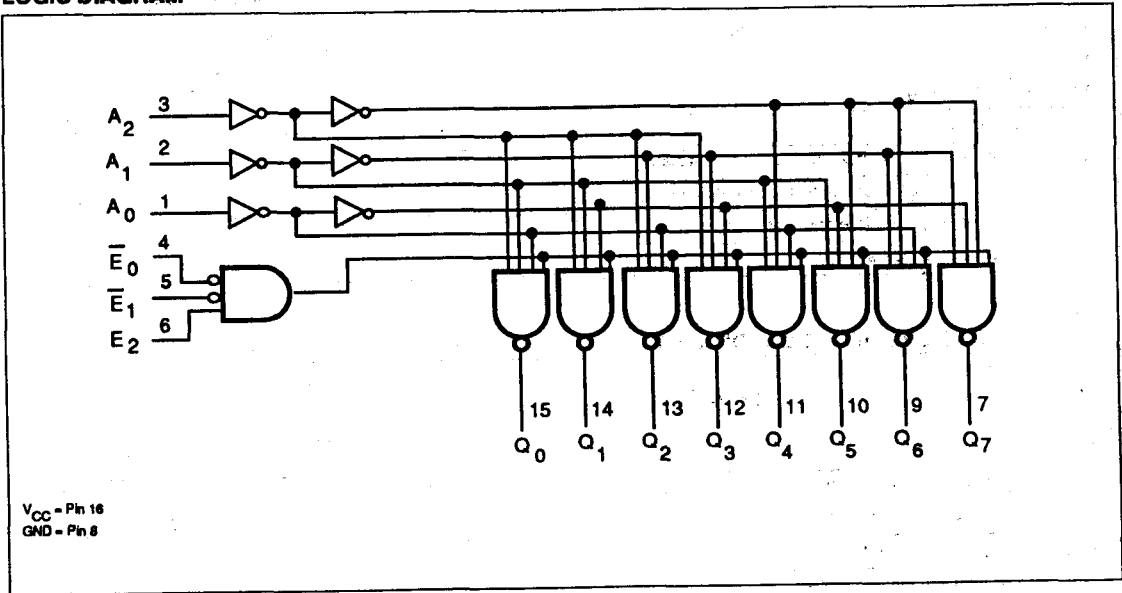
LOGIC SYMBOL (IEEE/IEC)



Decoder/Demultiplexer

74ALS138

LOGIC DIAGRAM



DECODER FUNCTION TABLE

INPUTS			OUTPUTS										
\overline{E}_0	\overline{E}_1	E_2	A_0	A_1	A_2	\overline{Q}_0	\overline{Q}_1	\overline{Q}_2	\overline{Q}_3	\overline{Q}_4	\overline{Q}_5	\overline{Q}_6	\overline{Q}_7
H	X	X	X	X	X	H	H	H	H	H	H	H	H
X	H	X	X	X	X	H	H	H	H	H	H	H	H
X	X	L	X	X	X	H	H	H	H	H	H	H	H
L	L	H	L	L	L	L	H	H	H	H	H	H	H
L	L	H	H	L	L	H	L	H	H	H	H	H	H
L	L	H	L	H	L	H	H	L	H	H	H	H	H
L	L	H	H	H	L	H	H	H	L	H	H	H	H
L	L	H	L	L	H	H	H	H	H	L	H	H	H
L	L	H	H	L	H	H	H	H	H	H	L	H	H
L	L	H	L	H	H	H	H	H	H	H	H	L	H
L	L	H	H	H	H	H	H	H	H	H	H	H	L

H = High voltage level
 L = Low voltage level
 X = Don't care

Decoder/Demultiplexer

74ALS138

ABSOLUTE MAXIMUM RATINGS (Operation beyond the limits set forth in this table may impair the useful life of the device. Unless otherwise noted these limits are over the operating free-air temperature range.)

SYMBOL	PARAMETER	RATING	UNIT
V_{CC}	Supply voltage	-0.5 to +7.0	V
V_{IN}	Input voltage	-0.5 to +7.0	V
I_{IN}	Input current	-30 to +5	mA
V_{OUT}	Voltage applied to output in High output state	-0.5 to + V_{CC}	V
I_{OUT}	Current applied to output in Low output state	16	mA
T_A	Operating free-air temperature range	0 to +70	°C
T_{STG}	Storage temperature	-65 to +150	°C

RECOMMENDED OPERATING CONDITIONS

SYMBOL	PARAMETER	LIMITS			UNIT
		Min	Nom	Max	
V_{CC}	Supply voltage	4.5	5.0	5.5	V
V_{IH}	High-level input voltage	2.0			V
V_{IL}	Low-level input voltage			0.8	V
I_{IK}	Input clamp current			-18	mA
I_{OH}	High-level output current			-0.4	mA
I_{OL}	Low-level output current			8	mA
T_A	Operating free-air temperature range	0		70	°C

DC ELECTRICAL CHARACTERISTICS (Over recommended operating free-air temperature range unless otherwise noted.)

SYMBOL	PARAMETER	TEST CONDITIONS ¹	LIMITS			UNIT
			Min	Typ ²	Max	
V_{OH}	High-level output voltage	$V_{CC} \pm 10\%$, $V_{IL} = \text{MAX}$, $V_{IH} = \text{MIN}$, $I_{OH} = -0.4\text{mA}$	$V_{CC} - 2$			V
V_{OL}	Low-level output voltage	$V_{CC} = \text{MIN}$, $V_{IL} = \text{MAX}$, $V_{IH} = \text{MIN}$, $I_{OL} = 4\text{mA}$		0.25	0.4	V
		$V_{CC} = \text{MAX}$, $I_{OL} = 8\text{mA}$		0.35	0.5	V
V_{IK}	Input clamp voltage	$V_{CC} = \text{MIN}$, $I_I = I_{IK}$		-0.73	-1.5	V
I_I	Input current at maximum input voltage	$V_{CC} = \text{MAX}$, $V_I = 7.0\text{V}$			0.1	mA
I_{IH}	High-level input current	$V_{CC} = \text{MAX}$, $V_I = 2.7\text{V}$			20	μA
I_{IL}	Low-level input current	$V_{CC} = \text{MAX}$, $V_I = 0.4\text{V}$			-0.1	mA
I_O^3	Output current	$V_{CC} = \text{MAX}$, $V_O = 2.25\text{V}$	-30		-112	mA
I_{CC}	Supply current (total)	$V_{CC} = \text{MAX}$		5	10	mA

NOTES:

- For conditions shown as MIN or MAX, use the appropriate value specified under recommended operating conditions for the applicable type.
- All typical values are at $V_{CC} = 5\text{V}$, $T_A = 25^\circ\text{C}$.
- The output conditions have been chosen to produce a current that closely approximates one half of the true short-circuit output current, I_{OC} .

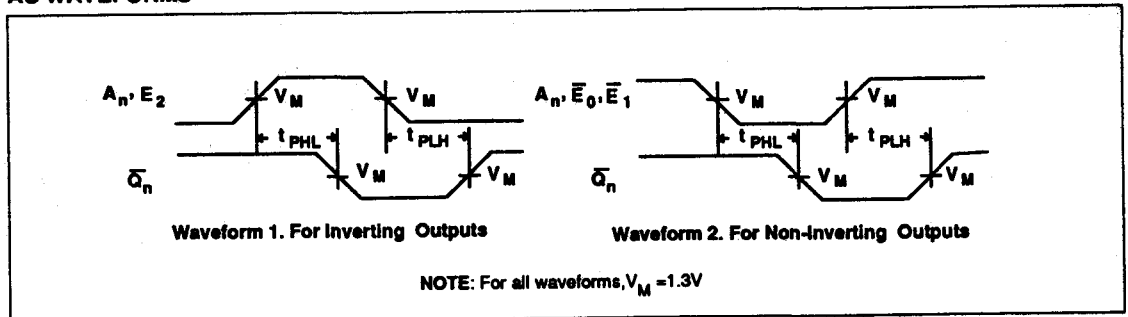
Decoder/Demultiplexer

74ALS138

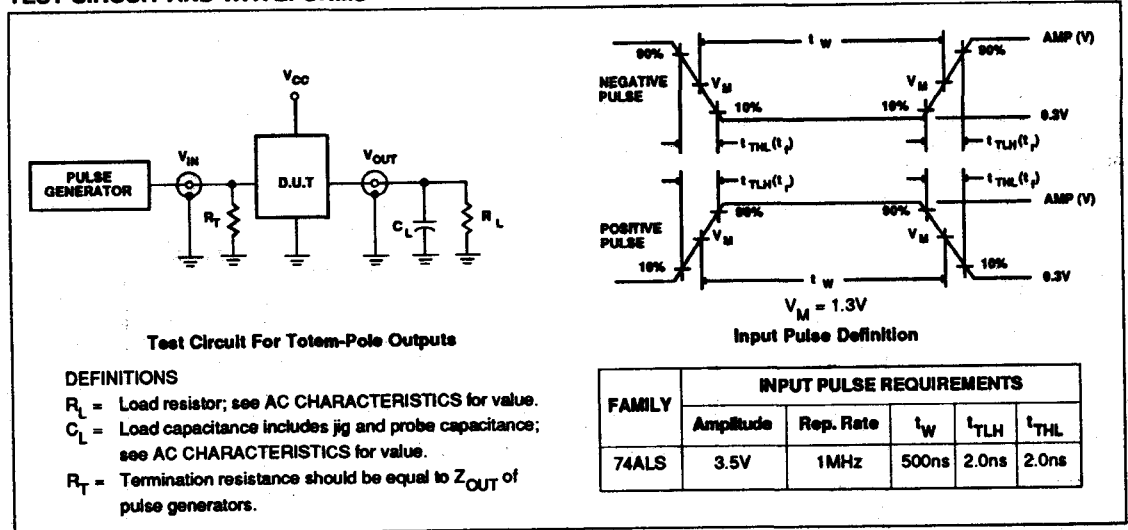
AC ELECTRICAL CHARACTERISTICS

SYMBOL	PARAMETER	TEST CONDITION	LIMITS		UNIT
			$T_A = 0^\circ\text{C to } +70^\circ\text{C}$		
			$V_{CC} = 5V \pm 10\%$ $C_L = 50\text{pF}$ $R_L = 500\Omega$		
			Min	Max	
t_{PLH} t_{PHL}	Propagation delay A_n to \bar{O}_n	Waveform 1, 2	6	22	ns
t_{PLH} t_{PHL}	Propagation delay \bar{E}_0 or \bar{E}_1 to \bar{O}_n	Waveform 2	4	17	
t_{PLH} t_{PHL}	Propagation delay E_2 to \bar{O}_n	Waveform 1	4	17	ns

AC WAVEFORMS



TEST CIRCUIT AND WAVEFORMS



74ALS139

Decoder/Demultiplexer

Dual 1-Of-4 Decoder//Demultiplexer

FEATURES

- Demultiplexing capability
- Two independent 1-of-4 decoders
- Multifunction capability

DESCRIPTION

The 74ALS139 is a dual 1-of-4 decoder/demultiplexer. This device has two independent decoders, each accepting two binary weighted inputs (A_{0n}, A_{1n}) and providing four mutually exclusive active-Low outputs ($\bar{Q}_{0n} - \bar{Q}_{3n}$). Each decoder has an active-Low Enable (\bar{E}). When \bar{E} is High, every output is forced High. The Enable can be used as the Data input for a 1-of-4 demultiplexer application.

FUNCTION TABLE

INPUTS			OUTPUTS			
\bar{E}	A_0	A_1	\bar{Q}_0	\bar{Q}_1	\bar{Q}_2	\bar{Q}_3
H	X	X	H	H	H	H
L	L	L	L	H	H	H
L	H	L	H	L	H	H
L	L	H	H	H	L	H
L	H	H	H	H	H	L

H = High voltage level
L = Low voltage level
X = Don't care

Preliminary Specification

TYPE	TYPICAL PROPAGATION DELAY	TYPICAL SUPPLY CURRENT (TOTAL)
74ALS139	9ns	8mA

ORDERING INFORMATION

PACKAGES	COMMERCIAL RANGE $V_{CC} = 5V \pm 10\%$; $T_A = 0^\circ C$ to $+70^\circ C$
16-Pin Plastic DIP	N74ALS139N
16-Pin Plastic SO	N74ALS139D

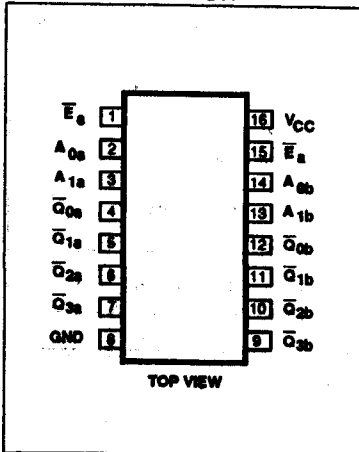
INPUT AND OUTPUT LOADING AND FAN-OUT TABLE

PINS	DESCRIPTION	74ALS(U.L.) HIGH/LOW	LOAD VALUE HIGH/LOW
A_{0n}, A_{1n}	Address inputs	1.0/1.0	20 μ A/0.1mA
\bar{E}_a, \bar{E}_b	Enable inputs (active Low)	1.0/1.0	20 μ A/0.1mA
$\bar{Q}_{0n} - \bar{Q}_{3n}$	Data outputs (active Low)	20/80	0.4mA/8mA

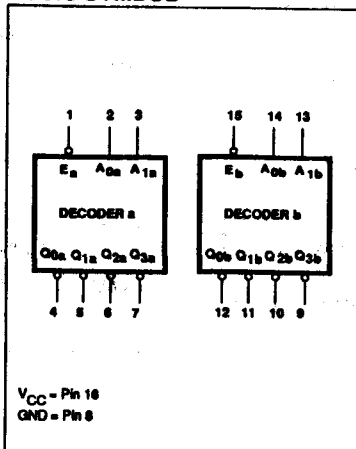
NOTE:

One (1.0) ALS Unit Load is defined as: 20 μ A in the High state and 0.1mA in the Low state.

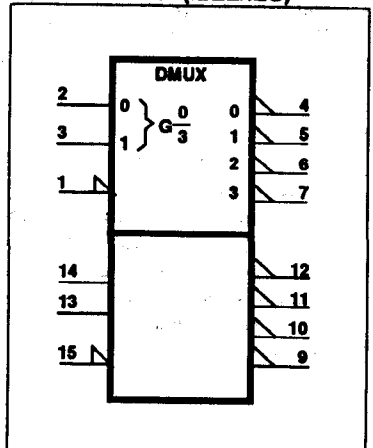
PIN CONFIGURATION



LOGIC SYMBOL



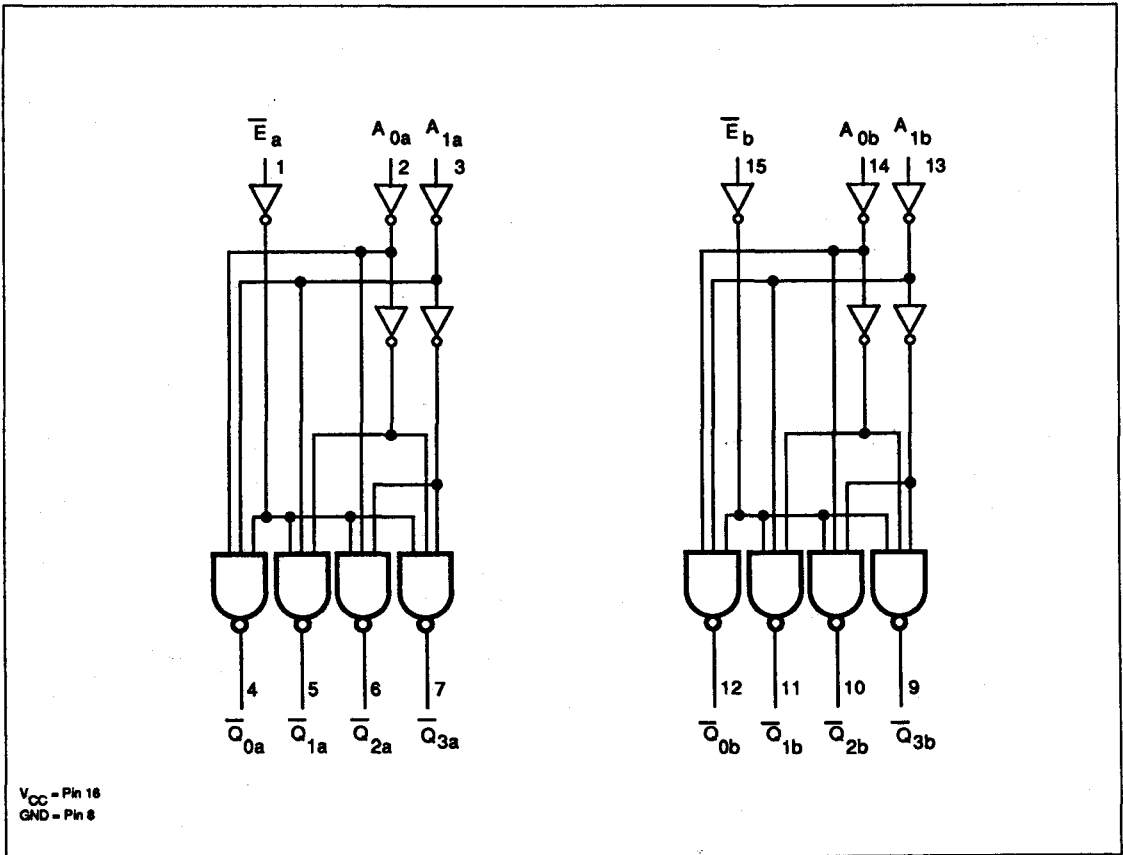
LOGIC SYMBOL (IEEE/IEC)



Decoder/Demultiplexer

74ALS139

LOGIC DIAGRAM



ABSOLUTE MAXIMUM RATINGS (Operation beyond the limits set forth in this table may impair the useful life of the device. Unless otherwise noted these limits are over the operating free-air temperature range.)

SYMBOL	PARAMETER	RATING	UNIT
V_{CC}	Supply voltage	-0.5 to +7.0	V
V_{IN}	Input voltage	-0.5 to +7.0	V
I_{IN}	Input current	-30 to +5	mA
V_{OUT}	Voltage applied to output in High output state	-0.5 to $+V_{CC}$	V
I_{OUT}	Current applied to output in Low output state	16	mA
T_A	Operating free-air temperature range	0 to +70	°C
T_{STG}	Storage temperature	-65 to +150	°C

Decoder/Demultiplexer

74ALS139

RECOMMENDED OPERATING CONDITIONS

SYMBOL	PARAMETER	LIMITS			UNIT
		Min	Nom	Max	
V_{CC}	Supply voltage	4.5	5.0	5.5	V
V_{IH}	High-level input voltage	2.0			V
V_{IL}	Low-level input voltage			0.8	V
I_{IK}	Input clamp current			-18	mA
I_{OH}	High-level output current			-0.4	mA
I_{OL}	Low-level output current			8	mA
T_A	Operating free-air temperature range	0		70	°C

DC ELECTRICAL CHARACTERISTICS (Over recommended operating free-air temperature range unless otherwise noted.)

SYMBOL	PARAMETER	TEST CONDITIONS ¹	LIMITS			UNIT
			Min	Typ ²	Max	
V_{OH}	High-level output voltage	$V_{CC} \pm 10\%$, $V_{IL} = \text{MAX}$, $V_{IH} = \text{MIN}$, $I_{OH} = -0.4\text{mA}$	$V_{CC} - 2$			V
V_{OL}	Low-level output voltage	$V_{CC} = \text{MIN}$, $V_{IL} = \text{MAX}$, $V_{IH} = \text{MIN}$		0.25	0.4	V
		$I_{OL} = 4\text{mA}$ $I_{OL} = 8\text{mA}$		0.35	0.5	V
V_{IK}	Input clamp voltage	$V_{CC} = \text{MIN}$, $I_1 = I_{IK}$		-0.73	-1.5	V
I_1	Input current at maximum input voltage	$V_{CC} = \text{MAX}$, $V_1 = 7.0\text{V}$			0.1	mA
I_{IH}	High-level input current	$V_{CC} = \text{MAX}$, $V_1 = 2.7\text{V}$			20	μA
I_{IL}	Low-level input current	$V_{CC} = \text{MAX}$, $V_1 = 0.4\text{V}$			-0.1	mA
I_O^3	Output current	$V_{CC} = \text{MAX}$, $V_O = 2.25\text{V}$	-30		-112	mA
I_{CC}	Supply current (total)	$V_{CC} = \text{MAX}$		8	13	mA

NOTES:

- For conditions shown as MIN or MAX, use the appropriate value specified under recommended operating conditions for the applicable type.
- All typical values are at $V_{CC} = 5\text{V}$, $T_A = 25^\circ\text{C}$.
- The output conditions have been chosen to produce a current that closely approximates one half of the true short-circuit output current, I_{OS} .

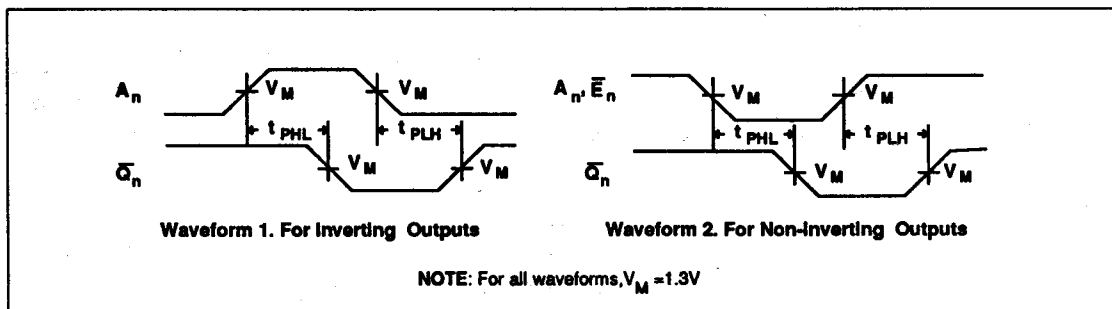
Decoder/Demultiplexer

74ALS139

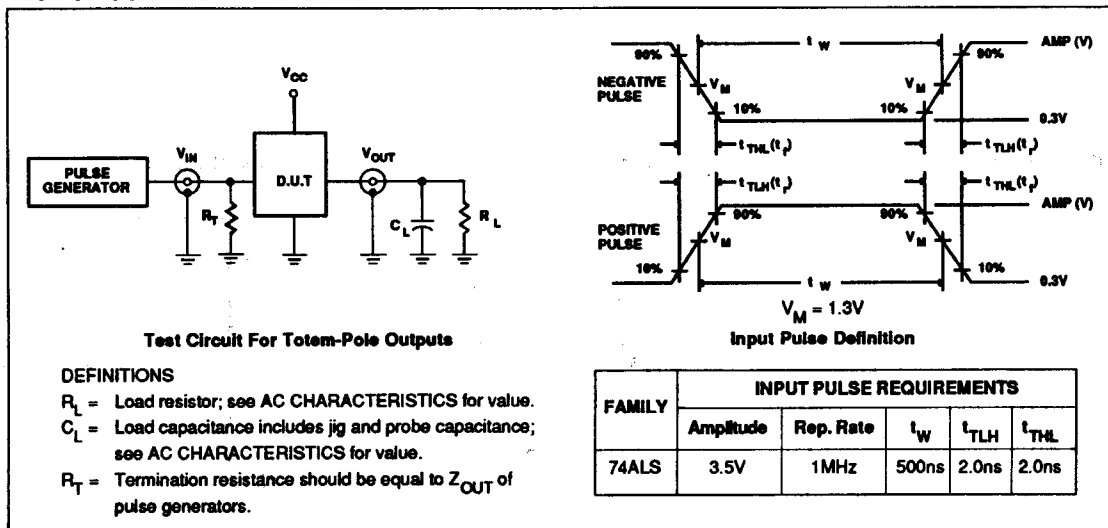
AC ELECTRICAL CHARACTERISTICS

SYMBOL	PARAMETER	TEST CONDITION	LIMITS		UNIT
			$T_A = 0^\circ\text{C to } +70^\circ\text{C}$		
			$V_{CC} = 5V \pm 10\%$ $C_L = 50\text{pF}$ $R_L = 500\Omega$		
Min	Max				
t_{PLH} t_{PHL}	Propagation delay A_n to \bar{Q}_n	Waveform 1, 2	3	14	ns
t_{PLH} t_{PHL}	Propagation delay E_n to \bar{Q}_n	Waveform 2	3	14	ns
			3	15	

AC WAVEFORMS



TEST CIRCUIT AND WAVEFORMS



74ALS151

Multiplexer

74ALS151 8-Input Multiplexer Preliminary Specification

FEATURES

- 8-to-1 multiplexing
- On chip decoding
- Multifunction capability
- Complementary outputs
- See 'ALS251 for 3-state version

DESCRIPTION

The 74ALS151 is a logic implementation of a single pole 8-position switch with the switch position controlled by the state of three Select (S_0, S_1, S_2) inputs. True (Y) and complementary (\bar{Y}) outputs are both provided. The Enable (\bar{E}) is active Low. When \bar{E} is High, the Y output is Low and the \bar{Y} output is High, regardless of all other inputs.

TYPE	TYPICAL PROPAGATION DELAY	TYPICAL SUPPLY CURRENT (TOTAL)
74ALS151	12ns	7.5mA

ORDERING INFORMATION

PACKAGES	COMMERCIAL RANGE $V_{CC} = 5V \pm 10\%$; $T_A = 0^\circ C$ to $+70^\circ C$
16-Pin Plastic DIP	N74ALS151N
16-Pin Plastic SO	N74ALS151D

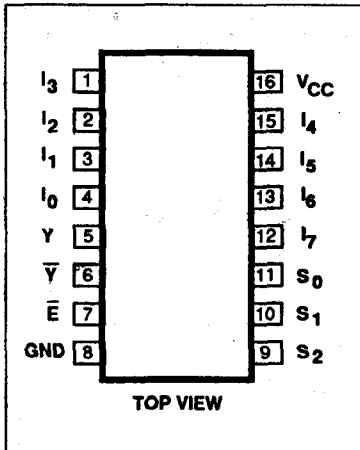
INPUT AND OUTPUT LOADING AND FAN-OUT TABLE

PINS	DESCRIPTION	74ALS(U.L.) HIGH/LOW	LOADVALUE HIGH/LOW
$I_0 - I_7$	Data inputs	1.0/1.0	20 μ A/0.1mA
$S_0 - S_2$	Select inputs	1.0/1.0	20 μ A/0.1mA
\bar{E}	Enable input (active Low)	1.0/1.0	20 μ A/0.1mA
Y, \bar{Y}	Data outputs	130/240	2.6mA/24mA

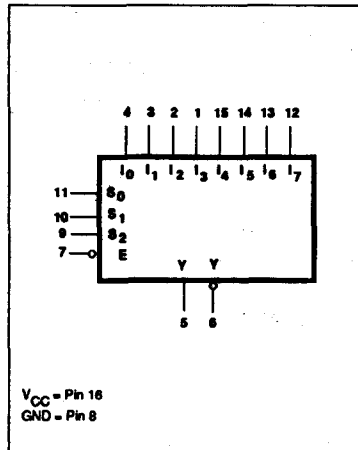
NOTE:

One (1.0) ALS Unit Load is defined as: 20 μ A in the High state and 0.1mA in the Low state.

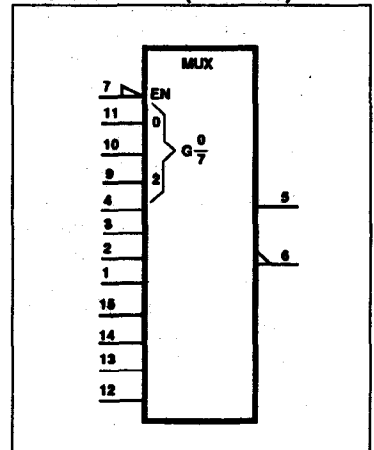
PIN CONFIGURATION



LOGIC SYMBOL



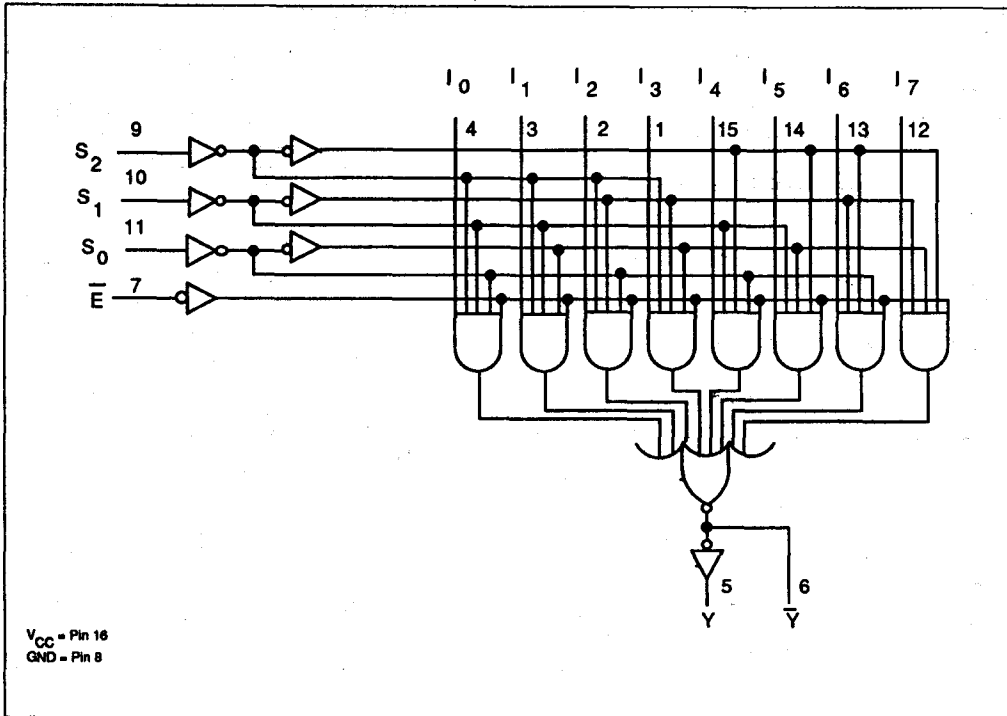
LOGIC SYMBOL (IEEE/IEC)



Multiplexer

74ALS151

LOGIC DIAGRAM



FUNCTION TABLE

INPUTS				OUTPUTS	
S_2	S_1	S_0	\bar{E}	Y	\bar{Y}
X	X	X	H	L	H
L	L	L	L	I_0	\bar{I}_0
L	L	H	L	I_1	\bar{I}_1
L	H	L	L	I_2	\bar{I}_2
L	H	H	L	I_3	\bar{I}_3
H	L	L	L	I_4	\bar{I}_4
H	L	H	L	I_5	\bar{I}_5
H	H	L	L	I_6	\bar{I}_6
H	H	H	L	I_7	\bar{I}_7

H = High voltage level
 L = Low voltage level
 X = Don't care

Multiplexer

74ALS151

ABSOLUTE MAXIMUM RATINGS (Operation beyond the limits set forth in this table may impair the useful life of the device. Unless otherwise noted these limits are over the operating free-air temperature range.)

SYMBOL	PARAMETER	RATING	UNIT
V_{CC}	Supply voltage	-0.5 to +7.0	V
V_{IN}	Input voltage	-0.5 to +7.0	V
I_{IN}	Input current	-30 to +5	mA
V_{OUT}	Voltage applied to output in High output state	-0.5 to $+V_{CC}$	V
I_{OUT}	Current applied to output in Low output state	48	mA
T_A	Operating free-air temperature range	0 to +70	°C
T_{STG}	Storage temperature	-65 to +150	°C

RECOMMENDED OPERATING CONDITIONS

SYMBOL	PARAMETER	LIMITS			UNIT
		Min	Nom	Max	
V_{CC}	Supply voltage	4.5	5.0	5.5	V
V_{IH}	High-level input voltage	2.0			V
V_{IL}	Low-level input voltage			0.8	V
I_{IK}	Input clamp current			-18	mA
I_{OH}	High-level output current			-2.6	mA
I_{OL}	Low-level output current			24	mA
T_A	Operating free-air temperature range	0		70	°C

DC ELECTRICAL CHARACTERISTICS (Over recommended operating free-air temperature range unless otherwise noted.)

SYMBOL	PARAMETER	TEST CONDITIONS ¹			LIMITS			UNIT	
					Min	Typ ²	Max		
V_{OH}	High-level output voltage	$V_{CC} \pm 10\%$	$V_{IL} = \text{MAX},$ $V_{IH} = \text{MIN}$	$I_{OH} = -0.4\text{mA}$	$V_{CC} - 2$			V	
		$V_{CC} = \text{MIN}$		$I_{OH} = -2.6\text{mA}$		2.4		V	
V_{OL}	Low-level output voltage	$V_{CC} = \text{MIN},$ $V_{IL} = \text{MAX},$ $V_{IH} = \text{MIN}$	$I_{OL} = 12\text{mA}$			0.25	0.4	V	
				$I_{OL} = 24\text{mA}$		0.35	0.5	V	
V_{IK}	Input clamp voltage	$V_{CC} = \text{MIN}, I_1 = I_{IK}$					-1.5	V	
I_I	Input clamp current at maximum input voltage	$V_{CC} = \text{MAX}, V_I = 7.0\text{V}$					0.1	mA	
I_{IH}	High-level input current	$V_{CC} = \text{MAX}, V_I = 2.7\text{V}$					20	μA	
I_{IL}	Low-level input current	$V_{CC} = \text{MAX}, V_I = 0.4\text{V}$					-0.1	mA	
I_O^3	Output current	$V_{CC} = \text{MAX}, V_O = 2.25\text{V}$					-30	mA	
I_{CC}	Supply current (total)	$V_{CC} = \text{MAX}$					7.5	12	mA

NOTES:

- For conditions shown as MIN or MAX, use the appropriate value specified under recommended operating conditions for the applicable type.
- All typical values are at $V_{CC} = 5\text{V}, T_A = 25^\circ\text{C}$.
- The output conditions have been chosen to produce a current that closely approximates one half of the true short-circuit output current, I_{Osc} .

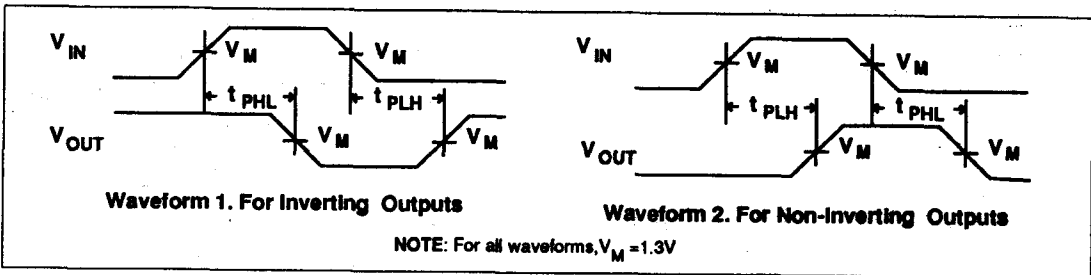
Multiplexer

74ALS151

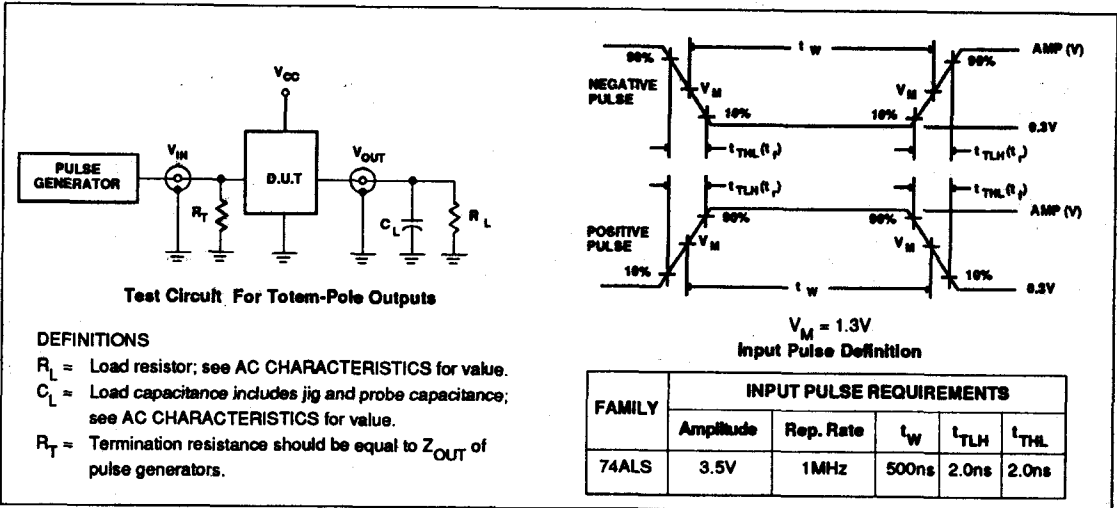
AC ELECTRICAL CHARACTERISTICS

SYMBOL	PARAMETER	TEST CONDITION	LIMITS		UNIT
			$T_A = 0^\circ\text{C to } +70^\circ\text{C}$		
			$V_{CC} = 5V \pm 10\%$ $C_L = 50\text{pF}$ $R_L = 500\Omega$		
			Min	Max	
t_{PLH} t_{PHL}	Propagation delay I_n to Y	Waveform 1	3 5	10 15	ns
t_{PLH} t_{PHL}	Propagation delay I_n to \bar{Y}	Waveform 2	3 4	10 15	ns
t_{PLH} t_{PHL}	Propagation delay S_n to Y	Waveform 1,2	4 8	18 24	ns
t_{PLH} t_{PHL}	Propagation delay S_n to \bar{Y}	Waveform 1,2	7 7	23 23	ns
t_{PLH} t_{PHL}	Propagation delay E to Y	Waveform 1	4 4	18 19	ns
t_{PLH} t_{PHL}	Propagation delay E to \bar{Y}	Waveform 1	5 5	19 23	ns

AC WAVEFORMS



TEST CIRCUIT AND WAVEFORMS



74ALS153

Multiplexer

Dual 4-Input Multiplexer

Preliminary Specification

FEATURES

- Non-inverting outputs
- Common select inputs
- Separate enable for each section
- See "ALS253 for 3-State version"

DESCRIPTION

The 74ALS153 has two identical 4-input multiplexers with 3-state outputs which select two bits from four sources by using common select inputs (S_0, S_1). The two 4-input multiplexer circuits have individual active-Low Enables (\bar{E}_a, \bar{E}_b) which can be used to strobe the outputs independently. Outputs (Y_a, Y_b) are forced Low when the corresponding enable is High.

The 74ALS153 is the logic implementation of a 2-pole, 4-position switch, where the position of the switch is determined by the logic levels supplied to the common select inputs.

TYPE	TYPICAL PROPAGATION DELAY	TYPICAL SUPPLY CURRENT (TOTAL)
74ALS153	7ns	7.5mA

ORDERING INFORMATION

PACKAGES	COMMERCIAL RANGE $V_{CC} = 5V \pm 10\%$; $T_A = 0^\circ C$ to $+70^\circ C$
16-Pin Plastic DIP	N74ALS153N
16-Pin Plastic SO	N74ALS153D

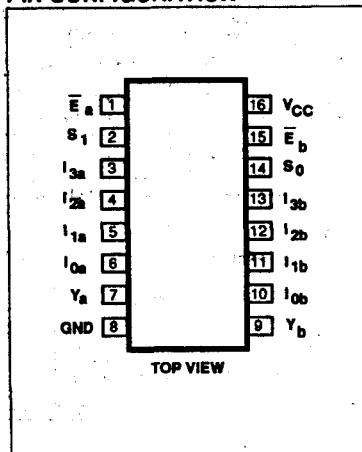
INPUT AND OUTPUT LOADING AND FAN-OUT TABLE

PINS	DESCRIPTION	74ALS(U.L.) HIGH/LOW	LOAD VALUE HIGH/LOW
$I_{0a} - I_{3a}$	Port A data inputs	1.0/1.0	20 μ A/0.1mA
$I_{0b} - I_{3b}$	Port B data inputs	1.0/1.0	20 μ A/0.1mA
$S_0 - S_2$	Common Select inputs	1.0/1.0	20 μ A/0.1mA
\bar{E}_a	Port A Enable input (active Low)	1.0/1.0	20 μ A/0.1mA
\bar{E}_b	Port B Enable input (active Low)	1.0/1.0	20 μ A/0.1mA
Y_a, Y_b	Outputs	130/240	2.6mA/24mA

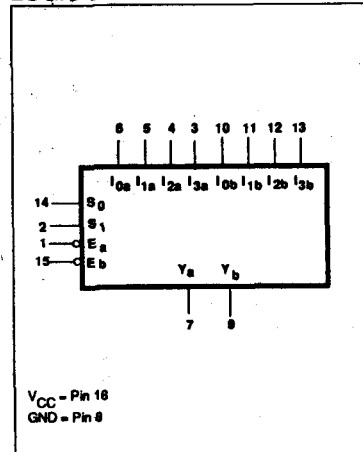
NOTE:

One (1.0) ALS Unit Load is defined as: 20 μ A in the High state and 0.1mA in the Low state.

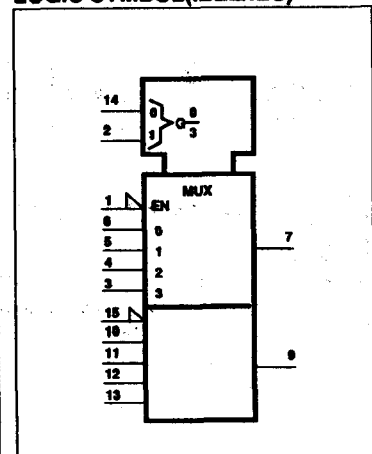
PIN CONFIGURATION



LOGIC SYMBOL



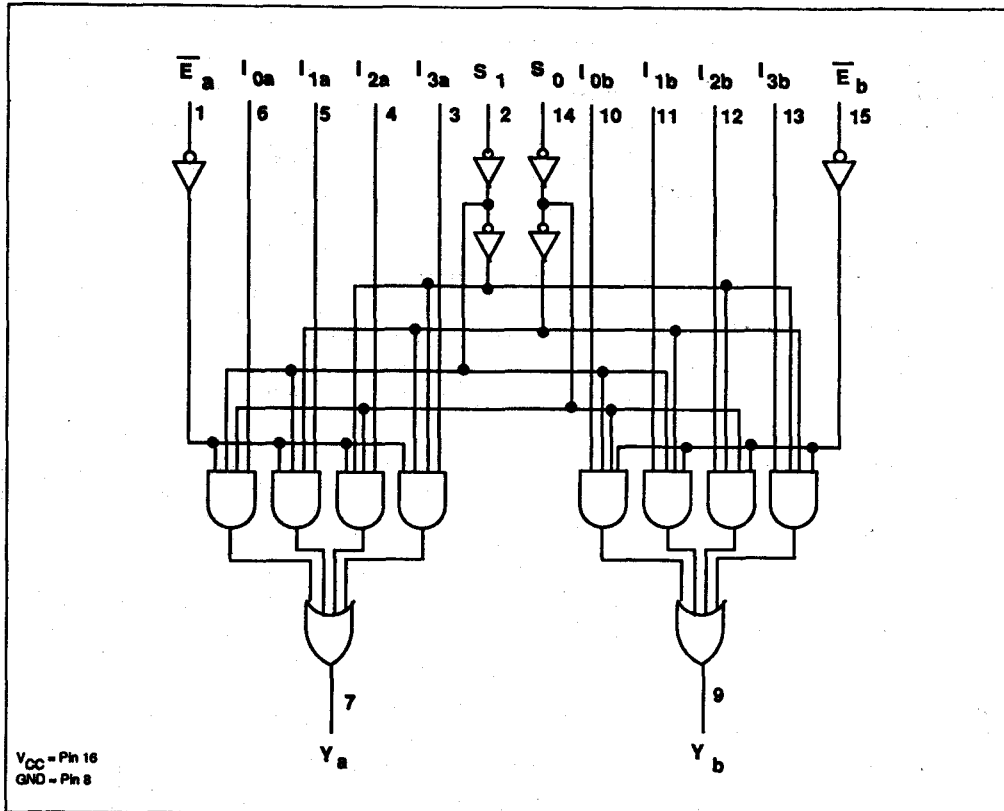
LOGIC SYMBOL (IEEE/IEC)



Multiplexer

74ALS153

LOGIC DIAGRAM



FUNCTION TABLE

INPUTS							OUTPUT	
S_0	S_1	I_0	I_1	I_2	I_3	\bar{E}	Y	
X	X	X	X	X	X	H	L	
L	L	L	X	X	X	L	L	
L	L	H	X	X	X	L	H	
H	L	X	L	X	X	L	L	
H	L	X	H	X	X	L	H	
L	H	X	X	L	X	L	L	
L	H	X	X	H	X	L	H	
H	H	X	X	X	L	L	L	
H	H	X	X	X	H	L	H	

H - High voltage level
L - Low voltage level
X - Don't care

Multiplexer

74ALS153

ABSOLUTE MAXIMUM RATINGS (Operation beyond the limits set forth in this table may impair the useful life of the device. Unless otherwise noted these limits are over the operating free-air temperature range.)

SYMBOL	PARAMETER	RATING	UNIT
V_{CC}	Supply voltage	-0.5 to +7.0	V
V_{IN}	Input voltage	-0.5 to +7.0	V
I_{IN}	Input current	-30 to +5	mA
V_{OUT}	Voltage applied to output in High output state	-0.5 to V_{CC}	V
I_{OUT}	Current applied to output in Low output state	48	mA
T_A	Operating free-air temperature range	0 to +70	°C
T_{STG}	Storage temperature	-65 to +150	°C

RECOMMENDED OPERATING CONDITIONS

SYMBOL	PARAMETER	LIMITS			UNIT
		Min	Nom	Max	
V_{CC}	Supply voltage	4.5	5.0	5.5	V
V_{IH}	High-level input voltage	2.0			V
V_{IL}	Low-level input voltage			0.8	V
I_{IK}	Input clamp current			-18	mA
I_{OH}	High-level output current			-2.6	mA
I_{OL}	Low-level output current			24	mA
T_A	Operating free-air temperature range	0		70	°C

DC ELECTRICAL CHARACTERISTICS (Over recommended operating free-air temperature range unless otherwise noted.)

SYMBOL	PARAMETER	TEST CONDITIONS ¹			LIMITS			UNIT
					Min	Typ ²	Max	
V_{OH}	High-level output voltage	$V_{CC} \pm 10\%$	$V_{IL} = \text{MAX},$ $V_{IH} = \text{MIN}$	$I_{OH} = -0.4\text{mA}$	$V_{CC} - 2$			V
		$V_{CC} = \text{MIN}$		$I_{OH} = -2.6\text{mA}$	2.4			V
V_{OL}	Low-level output voltage	$V_{CC} = \text{MIN},$ $V_{IL} = \text{MAX},$ $V_{IH} = \text{MIN}$	$I_{OL} = 12\text{mA}$ $I_{OL} = 24\text{mA}$			0.25	0.4	V
						0.35	0.5	V
V_{IK}	Input clamp voltage	$V_{CC} = \text{MIN}, I_1 = I_{IK}$				-0.73	-1.5	V
I_I	Input clamp current at maximum input voltage	$V_{CC} = \text{MAX}, V_1 = 7.0\text{V}$					0.1	mA
I_{IH}	High-level input current	$V_{CC} = \text{MAX}, V_1 = 2.7\text{V}$					20	μA
I_{IL}	Low-level input current	$V_{CC} = \text{MAX}, V_1 = 0.4\text{V}$					-0.1	mA
I_O^3	Output current	$V_{CC} = \text{MAX}, V_O = 2.25\text{V}$				-30	-112	mA
I_{CC}	Supply current (total)	$V_{CC} = \text{MAX}$				7.5	14	mA

NOTES:

- For conditions shown as MIN or MAX, use the appropriate value specified under recommended operating conditions for the applicable type.
- All typical values are at $V_{CC} = 5\text{V}$, $T_A = 25^\circ\text{C}$.
- The output conditions have been chosen to produce a current that closely approximates one half of the true short-circuit output current, I_{OC} .

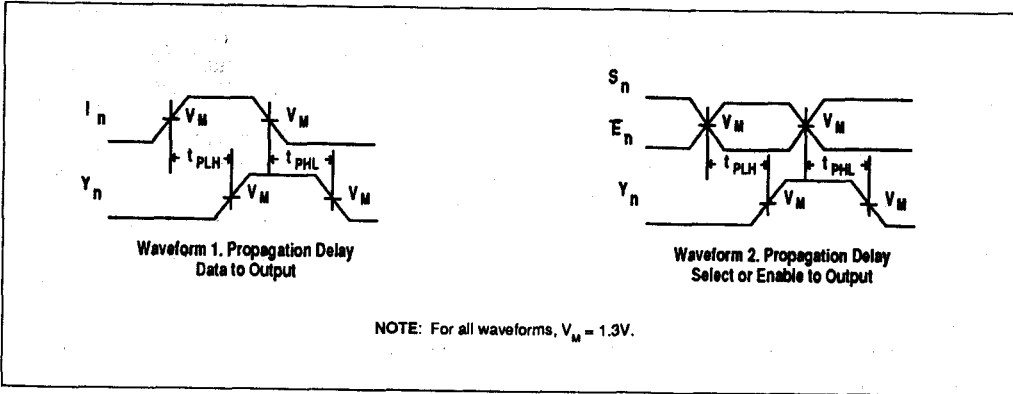
Multiplexer

74ALS153

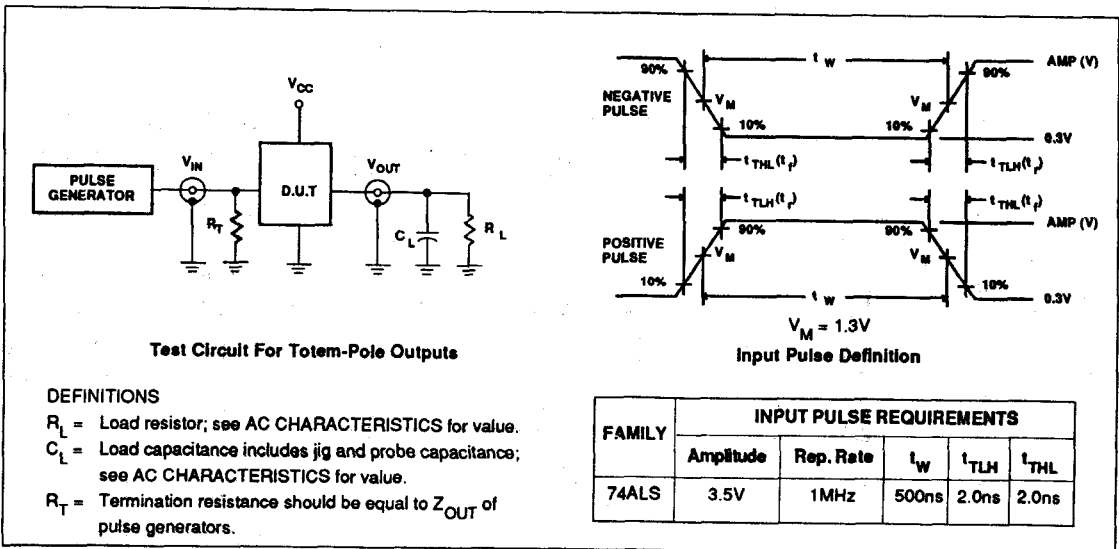
AC ELECTRICAL CHARACTERISTICS

SYMBOL	PARAMETER	TEST CONDITION	LIMITS		UNIT
			$T_A = 0^\circ\text{C to } +70^\circ\text{C}$		
			$V_{CC} = 5V \pm 10\%$ $C_L = 50\text{pF}$ $R_L = 500\Omega$		
			Min	Max	
t_{PLH} t_{PHL}	Propagation delay I_n to Y_n	Waveform 1	3	10	ns
t_{PLH} t_{PHL}	Propagation delay S_n to Y	Waveform 2	5	21	ns
t_{PLH} t_{PHL}	Propagation delay E_n to Y	Waveform 2	5	18	ns

AC WAVEFORMS



TEST CIRCUIT AND WAVEFORMS



74ALS157, 74ALS158

Data Selectors/Multiplexers

74ALS157 Quad 2-Input Data Select/Multiplexer, Noninverting
 74ALS158 Quad 2-Input Data Selector/Multiplexer, Inverting

Product Specification

DESCRIPTION

The 74ALS157 is a Quad 2-input multiplexer which selects 4 bits of data from one of two sources under the control of a common Select input (S). The Enable input (\bar{E}) is active when Low. When \bar{E} is High, all of the outputs (Y_n) are forced Low regardless of all other input conditions.

Moving data from two registers to a common output bus is a typical use of the 74ALS157. The state of the Select input determines the particular register from which the data comes.

The device is the logic implementation of a 4-pole, 2-position switch where the position of the switch is determined by the logic levels supplied to the Select input. The 74ALS158 is similar but has inverting outputs (\bar{Y}_n).

TYPE	TYPICAL PROPAGATION DELAY	TYPICAL SUPPLY CURRENT (TOTAL)
74ALS157	6.0ns	6mA
74ALS158	6.0ns	6mA

ORDERING INFORMATION

PACKAGES	COMMERCIAL RANGE $V_{CC} = 5V \pm 10\%$; $T_A = 0^\circ C$ to $+70^\circ C$
16-pin Plastic DIP	N74ALS157N, N74ALS158N
16-pin Plastic SO	N74ALS157D, N74ALS158D

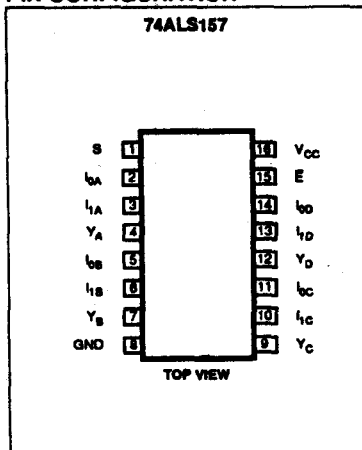
INPUT AND OUTPUT LOADING AND FAN-OUT TABLE

PINS	DESCRIPTION	74F(U.L.) HIGH/LOW	LOAD VALUE HIGH/LOW
$I_{A1}, I_{A2}, I_{A3}, I_{A4}$	Data inputs	1.0/1.0	20 μ A/0.1mA
S	Select input	1.0/1.0	20 μ A/0.1mA
\bar{E}	Enable input	1.0/1.0	20 μ A/0.1mA
$Y_A - Y_D, \bar{Y}_A - \bar{Y}_D$	Data outputs	20/240	0.4mA/24mA

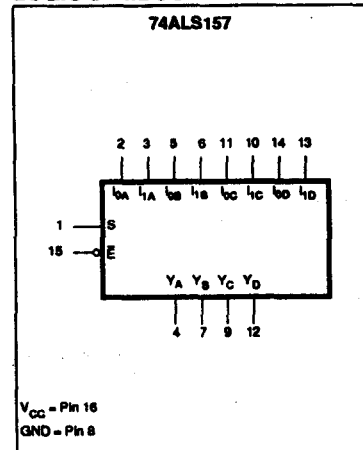
NOTE:

One (1.0) ALS Unit Load is defined as: 20 μ A in the High state and 0.1mA in the Low state.

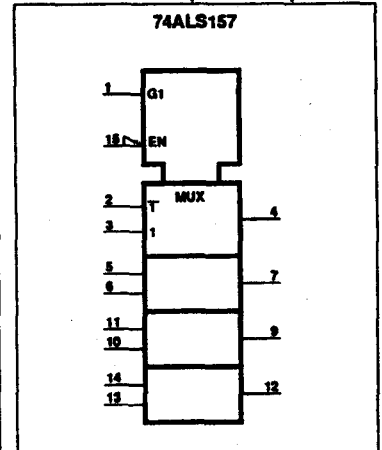
PIN CONFIGURATION



LOGIC SYMBOL



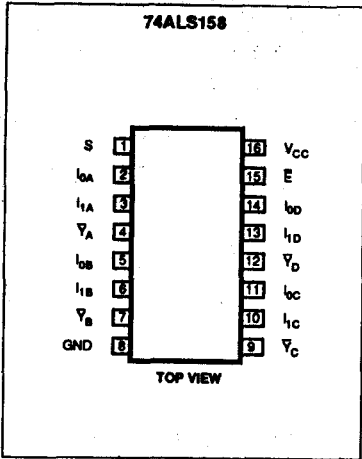
LOGIC SYMBOL (IEEE/IEC)



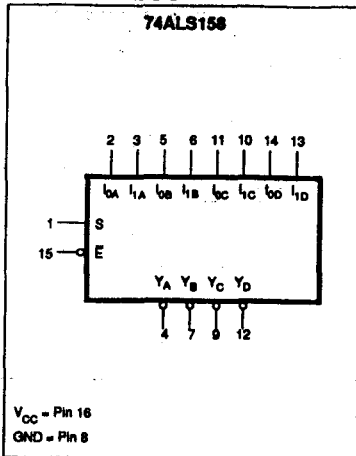
Data Selectors/Multiplexers

74ALS157, 74ALS158

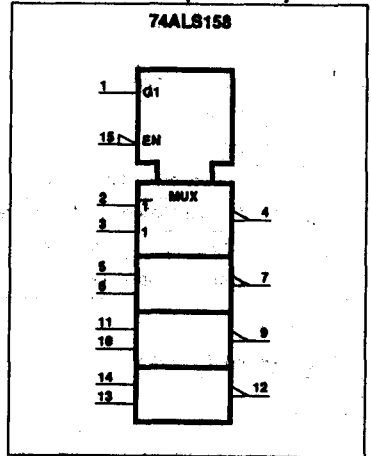
PIN CONFIGURATION



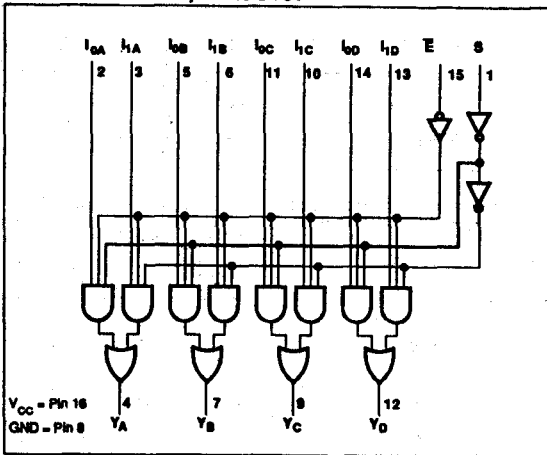
LOGIC SYMBOL



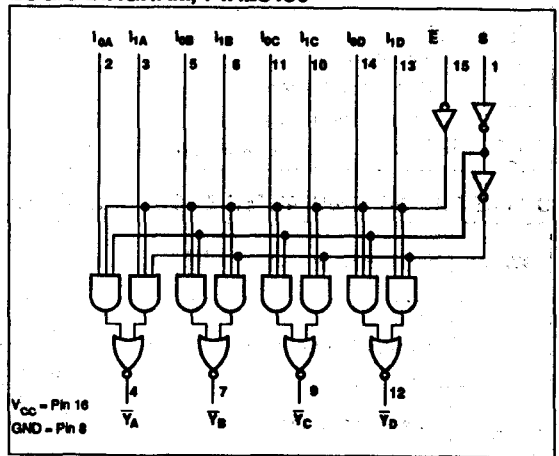
LOGIC SYMBOL (IEEE/IEC)



LOGIC DIAGRAM, 74ALS157



LOGIC DIAGRAM, 74ALS158



FUNCTION TABLE

INPUTS				OUTPUT
E	S	I _{0n}	I _{1n}	Y _n
H	X	X	X	L
L	L	L	X	L
L	L	H	X	H
L	H	X	L	L
L	H	X	H	H

H = High voltage level
L = Low voltage level
X = Don't care

FUNCTION TABLE

INPUTS				OUTPUT
E	S	I _{0n}	I _{1n}	Y _n
H	X	X	X	H
L	L	L	X	H
L	L	H	X	L
L	H	X	L	H
L	H	X	H	L

H = High voltage level
L = Low voltage level
X = Don't care

Data Selectors/Multiplexers

74ALS157, 74ALS158

ABSOLUTE MAXIMUM RATINGS (Operation beyond the limits set forth in this table may impair the useful life of the device. Unless otherwise noted these limits are over the operating free-air temperature range.)

SYMBOL	PARAMETER	RATING	UNIT
V_{CC}	Supply voltage	-0.5 to +7.0	V
V_{IN}	Input voltage	-0.5 to +7.0	V
I_{IN}	Input current	-30 to +5	mA
V_{OUT}	Voltage applied to output in High output state	-0.5 to V_{CC}	V
I_{OUT}	Current applied to output in Low output state	16	mA
T_A	Operating free-air temperature range	0 to +70	°C
T_{STG}	Storage temperature	-65 to +150	°C

RECOMMENDED OPERATING CONDITIONS

SYMBOL	PARAMETER	LIMITS			UNIT
		Min	Nom	Max	
V_{CC}	Supply voltage	4.5	5.0	5.5	V
V_{IH}	High-level input voltage	2.0			V
V_{IL}	Low-level input voltage			0.8	V
I_{IK}	Input clamp current			-18	mA
I_{OH}	High-level output current			-0.4	mA
I_{OL}	Low-level output current			8	mA
T_A	Operating free-air temperature range	0		70	°C

DC ELECTRICAL CHARACTERISTICS (Over recommended operating free-air temperature range unless otherwise noted.)

SYMBOL	PARAMETER	TEST CONDITIONS ¹		LIMITS			UNIT
				Min	Typ ²	Max	
V_{OH}	High-level output voltage	$V_{CC} \pm 10\%$, $V_{IL} = \text{MAX}$, $V_{IH} = \text{MIN}$	$I_{OH} = \text{MAX}$	V_{CC}^{-2}			V
V_{OL}	Low-level output voltage	$V_{CC} = \text{MIN}$, $V_{IL} = \text{MAX}$, $V_{IH} = \text{MIN}$	$I_{OL} = 4\text{mA}$		0.25	0.4	V
			$I_{OL} = 8\text{mA}$		0.35	0.5	V
V_{IK}	Input clamp voltage	$V_{CC} = \text{MIN}$, $I_I = I_{IK}$			-0.73	-1.2	V
I_I	Input current at maximum input voltage	$V_{CC} = \text{MAX}$, $V_I = 7.0\text{V}$				0.1	mA
I_{IH}	High-level input current	$V_{CC} = \text{MAX}$, $V_I = 2.7\text{V}$				20	μA
I_{IL}	Low-level input current	$V_{CC} = \text{MAX}$, $V_I = 0.4\text{V}$				-0.1	mA
I_O^3	Output current	$V_{CC} = \text{MAX}$, $V_O = 2.25\text{V}$			-30	-112	mA
I_{CC}	Supply current (total)	74ALS157	$V_{CC} = \text{MAX}$		6	11	mA
		74ALS158			6	10	mA

NOTES:

- For conditions shown as MIN or MAX, use the appropriate value specified under recommended operating conditions for the applicable type.
- All typical values are at $V_{CC} = 5\text{V}$, $T_A = 25^\circ\text{C}$.
- The output conditions have been chosen to produce a current that closely approximates one half of the true short-circuit output current, I_{OS} .

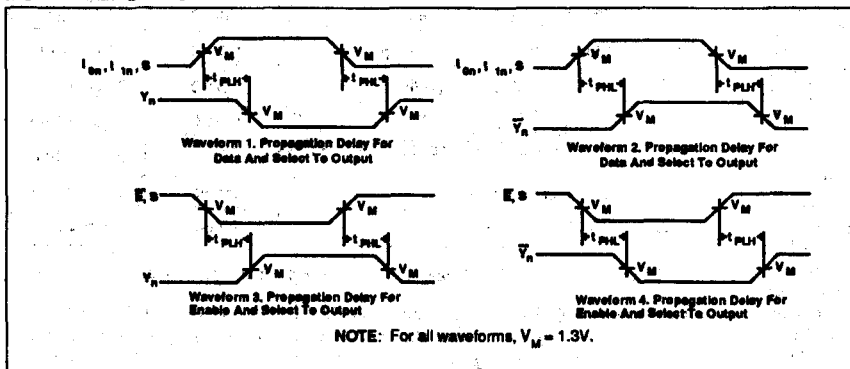
Data Selectors/Multiplexers

74ALS157, 74ALS158

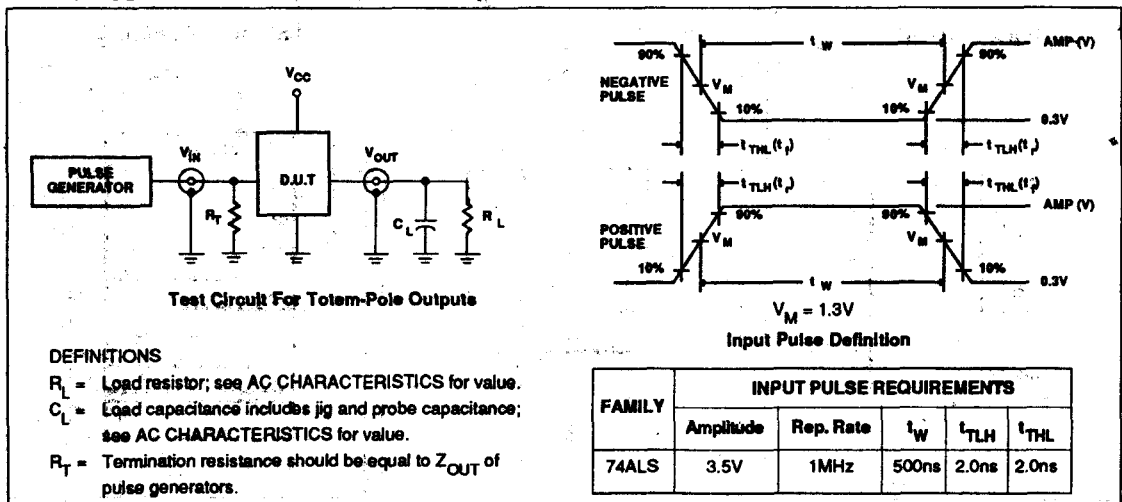
AC ELECTRICAL CHARACTERISTICS

SYMBOL	PARAMETER	TEST CONDITION	LIMITS		UNIT		
			$T_A = 0^\circ\text{C to } +70^\circ\text{C}$				
			$V_{CC} = 5V \pm 10\%$ $C_L = 50\text{pF}$ $R_L = 500\Omega$				
			Min	Max			
t_{PLH} t_{PHL}	Propagation delay I_{0n} or I_{1n} to Y_n	Waveform 1	74ALS157	2.0	9.0	ns	
t_{PLH} t_{PHL}	Propagation delay S to Y_n			4.0	12		ns
t_{PLH} t_{PHL}	Propagation delay E to Y_n			4.0	11		
t_{PLH} t_{PHL}	Propagation delay I_{0n} or I_{1n} to Y_n	Waveform 2	74ALS158	2.0	8.0	ns	
t_{PLH} t_{PHL}	Propagation delay S to Y_n			4.0	12		ns
t_{PLH} t_{PHL}	Propagation delay E to Y_n			4.0	14		

AC WAVEFORMS



TEST CIRCUIT AND WAVEFORMS



74ALS161B, 74ALS163B Counters

FEATURES

- Synchronous counting and loading
- Two count enable inputs for n-bit cascading
- Positive edge-triggered clock
- Asynchronous Reset ('ALS161B)
- Synchronous Reset ('ALS163B)
- High speed synchronous expansion
- Typical count rate of 140MHz

DESCRIPTION

Synchronous presettable 4-bit binary counters ('ALS161B, 'ALS163B) feature an internal carry look-ahead and can be used for high-speed counting. Synchronous operation is provided by having all flip-flops clocked simultaneously on the positive-going edge of the clock. The clock input is buffered.

The outputs of the counters may be preset to High or Low level. A Low level at the Parallel Enable (\overline{PE}) input disables the counting action and causes the data at the D_0 - D_3 inputs to be loaded into the counter on the positive-going edge of the clock (provided that the setup and hold requirements for \overline{PE} are met). Preset takes place regardless of the levels at Count Enable (CEP, CET) inputs.

A Low level at the Master Reset (\overline{MR}) input sets all the four outputs of the flip-flops (Q_0 - Q_3) in 'ALS161B to Low levels, regardless of the levels at CP, \overline{PE} , CET and CEP inputs (thus providing an asynchronous clear function). For the 'ALS163B the clear function is synchronous. A Low level at the Synchronous Reset (\overline{SR}) input sets all four outputs of the flip-flops (Q_0 - Q_3) to Low levels after the next positive-going transition on the clock (CP) input (provided that the setup and hold time require-

4-Bit Binary Counters Product Specification

TYPE	TYPICAL f_{MAX}	TYPICAL SUPPLY CURRENT (TOTAL)
74ALS161B	140MHz	10mA
74ALS163B	140MHz	10mA

ORDERING INFORMATION

PACKAGES	COMMERCIAL RANGE $V_{CC} = 5V \pm 10\%$; $T_A = 0^\circ C$ to $+70^\circ C$
16-Pin Plastic Dip	74ALS161BN, 74ALS163BN
16-Pin Plastic SO	74ALS161BD, 74ALS163BD

INPUT AND OUTPUT LOADING AND FAN-OUT TABLE

PINS	DESCRIPTION	74ALS(U.L.) HIGH/LOW	LOAD VALUE HIGH/LOW
D_0 - D_3	Data inputs	1.0/1.0	20 μ A/0.1mA
CEP	Count Enable Parallel input	1.0/1.0	20 A/0.1mA
CET	Count Enable Trickle input	1.0/1.0	20 A/0.1mA
CP	Clock input (active rising edge)	1.0/1.0	20 A/0.1mA
\overline{PE}	Parallel Enable input (active Low)	1.0/1.0	20 μ A/0.1mA
\overline{MR}	Asynchronous Master Reset input (active Low) for 'ALS161B	1.0/1.0	20 μ A/0.1mA
\overline{SR}	Synchronous Reset input (active Low) for 'ALS163B	1.0/1.0	20 μ A/0.1mA
TC	Terminal count output	20/80	0.4mA/8mA
Q_0 - Q_3	Flip-flop outputs	20/80	0.4mA/8mA

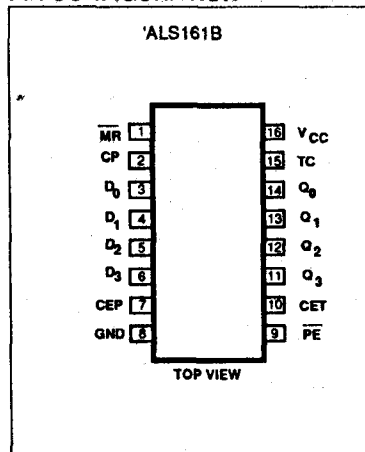
NOTE:

One (1.0) ALS Unit Load is defined as: 20 μ A in the High state and 0.1mA in the Low state.

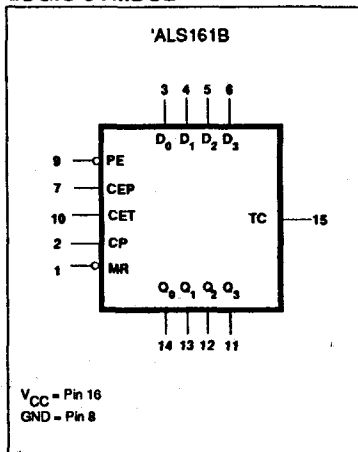
ments for \overline{SR} are met). This action occurs regardless of the levels at \overline{PE} , CET, and CEP inputs. The synchronous reset feature enables the designer to modify the maximum

count with only one external NAND gate (see Figure A). The carry look-ahead simplifies serial cascading of the counters. Both Count Enable (CEP and CET) inputs must be High to

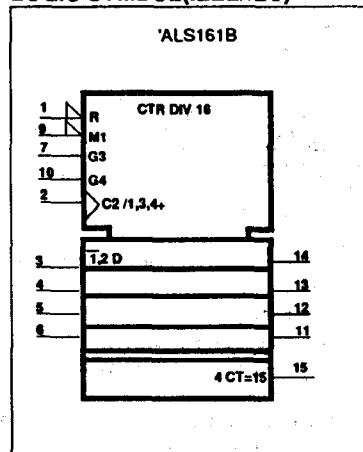
PIN CONFIGURATION



LOGIC SYMBOL



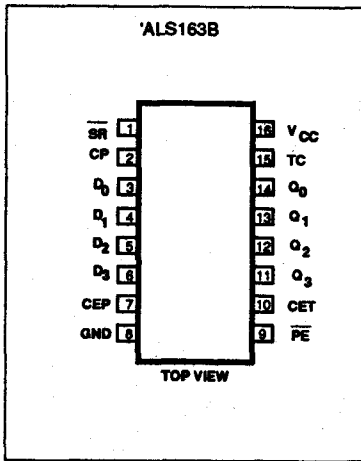
LOGIC SYMBOL (IEEE/IEC)



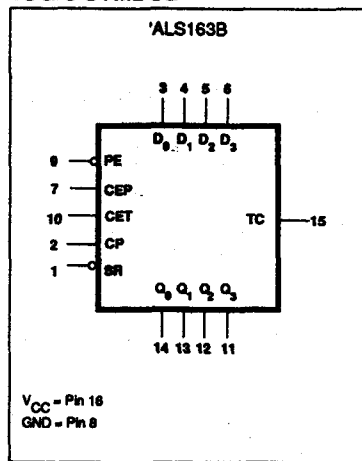
Counters

74ALS161B, 74ALS163B

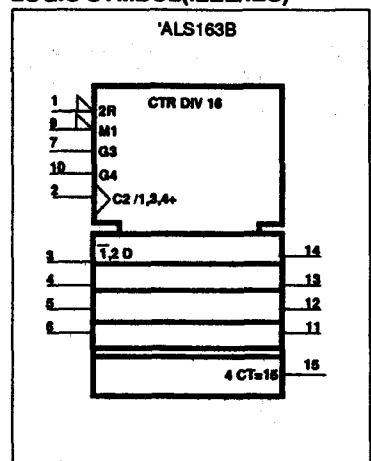
PIN CONFIGURATION



LOGIC SYMBOL



LOGIC SYMBOL (IEEE/IEC)



count. The CET input is fed forward to enable the TC output. The TC output thus enabled will produce a High output pulse of a duration approximately equal to the High level output of

Q_0 . This pulse can be used to enable the next cascaded stage (see Figure B). The TC output is subjected to decoding spikes due to internal race conditions. Therefore, it is not recom-

mended for use as clock or asynchronous reset for flip-flops, registers, or counters.

APPLICATIONS

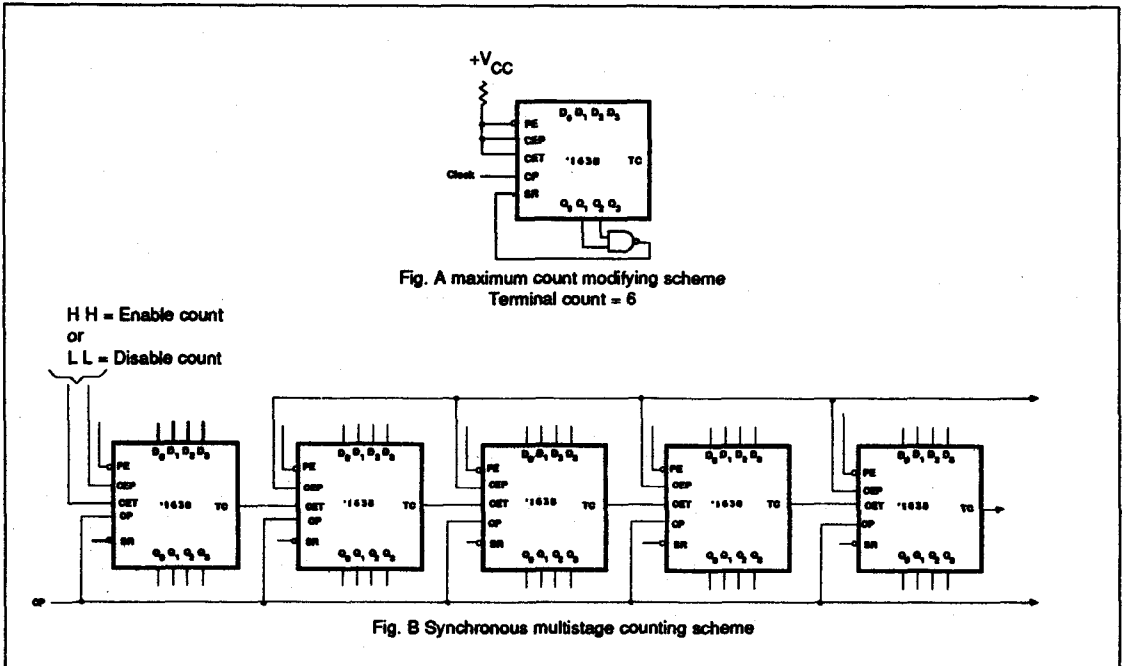


Fig. A maximum count modifying scheme
Terminal count = 6

H H = Enable count
or
L L = Disable count

Fig. B Synchronous multistage counting scheme

Counters

74ALS161B, 74ALS163B

MODE SELECT-FUNCTION TABLE for 'ALS161B

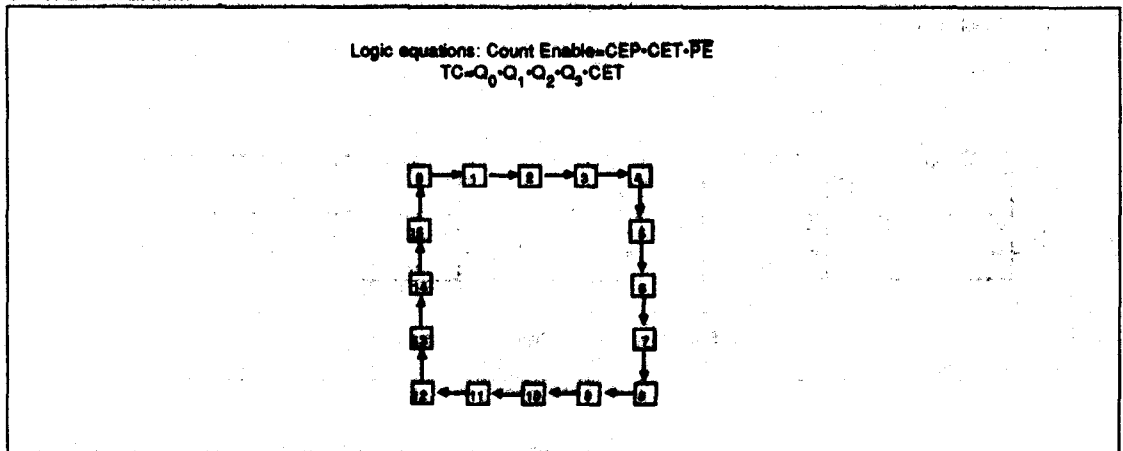
INPUTS						OUTPUTS		OPERATING MODE
\overline{MR}	CP	CEP	CET	\overline{PE}	D_n	Q_n	TC	
L	X	X	X	X	X	L	L	Reset (clear)
H	↑	X	X	l	l	L	L	Parallel load
H	↑	X	X	l	h	H	(a)	
H	↑	h	h	h	X	count	(a)	Count
H	X	l	X	h	X	q_n	(a)	Hold (do nothing)
H	X	X	l	h	X	q_n	L	

MODE SELECT-FUNCTION TABLE for 'ALS163B

INPUTS						OUTPUTS		OPERATING MODE
\overline{SR}	CP	CEP	CET	\overline{PE}	D_n	Q_n	TC	
l	↑	X	X	X	X	L	L	Reset (clear)
h	↑	X	X	l	l	L	L	Parallel load
h	↑	X	X	l	h	H	(a)	
h	↑	h	h	h	X	count	(a)	Count
h	X	l	X	h	X	q_n	(a)	Hold (do nothing)
h	X	X	l	h	X	q_n	L	

- H = High voltage level
- h = High voltage level one setup prior to the Low-to-High clock transition
- L = Low voltage level
- l = Low voltage level one setup prior to the Low-to-High clock transition
- q = Lower case letters indicate the state of the referenced output prior to the Low-to-High clock transition
- q_n = Don't care
- ↑ = Low-to-High clock transition
- (a) = The TC output is High when CET is High and the counter is at Terminal Count (H#H#H)

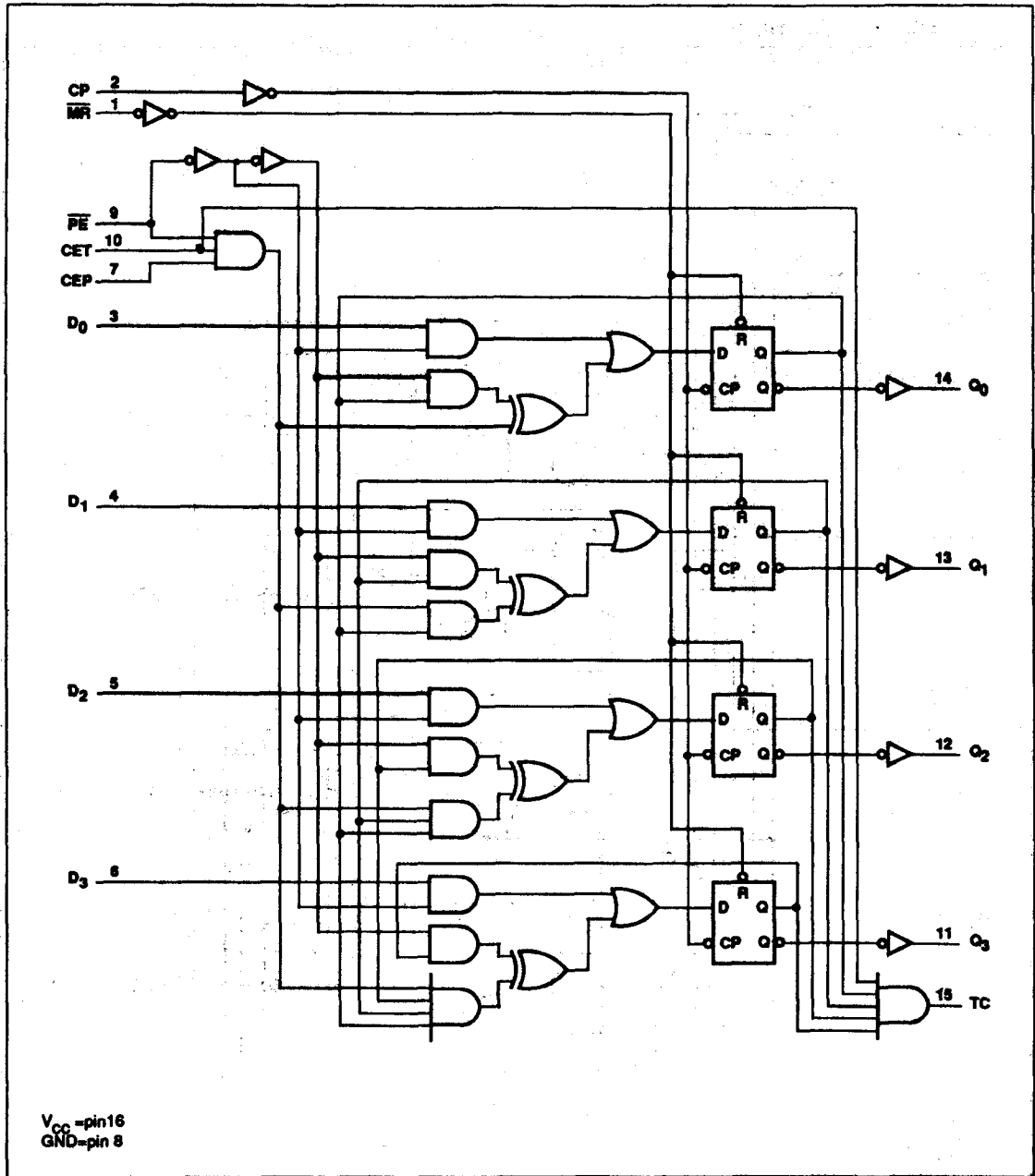
STATE DIAGRAM



Counters

74ALS161B, 74ALS163B

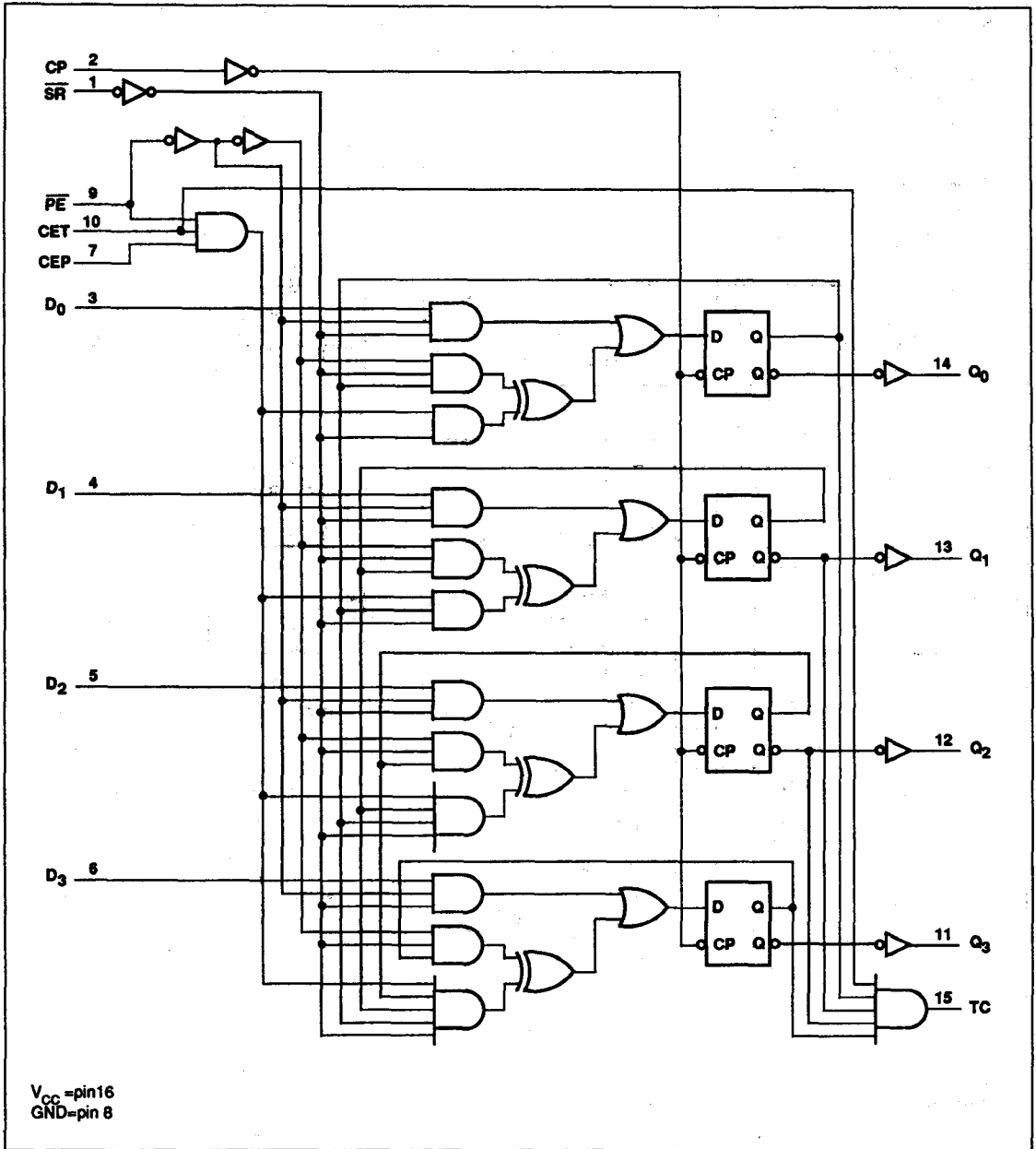
LOGIC DIAGRAM for 'ALS161B



Counters

74ALS161B, 74ALS163B

LOGIC DIAGRAM for 'ALS163B



Counters

74ALS161B, 74ALS163B

ABSOLUTE MAXIMUM RATINGS (Operation beyond the limits set forth in this table may impair the useful life of the device. Unless otherwise noted these limits are over the operating free-air temperature range.)

SYMBOL	PARAMETER	RATING	UNIT
V_{CC}	Supply voltage	-0.5 to +7.0	V
V_{IN}	Input voltage	-0.5 to +7.0	V
I_{IN}	Input current	-30 to +5	mA
V_{OUT}	Voltage applied to output in High output state	-0.5 to V_{CC}	V
I_{OUT}	Current applied to output in Low output state	16	mA
T_A	Operating free-air temperature range	0 to +70	°C
T_{STG}	Storage temperature	-65 to +150	°C

RECOMMENDED OPERATING CONDITIONS

SYMBOL	PARAMETER	LIMITS			UNIT
		Min	Nom	Max	
V_{CC}	Supply voltage	4.5	5.0	5.5	V
V_{IH}	High-level input voltage	2.0			V
V_{IL}	Low-level input voltage			0.8	V
I_{IK}	Input clamp current			-18	mA
I_{OH}	High-level output current			-0.4	mA
I_{OL}	Low-level output current			8	mA
T_A	Operating free-air temperature range	0		70	°C

DC ELECTRICAL CHARACTERISTICS (Over recommended operating free-air temperature range unless otherwise noted.)

SYMBOL	PARAMETER	TEST CONDITIONS ¹	LIMITS			UNIT
			Min	Typ ²	Max	
V_{OH}	High-level output voltage	$V_{CC} \pm 10\%$, $V_{IL} = \text{MAX}$, $V_{IH} = \text{MIN}$, $I_{OH} = -0.4\text{mA}$	$V_{CC} - 2$			V
V_{OL}	Low-level output voltage	$V_{CC} = \text{MIN}$, $V_{IL} = \text{MAX}$, $V_{IH} = \text{MIN}$		0.25	0.4	V
		$I_{OL} = 4\text{mA}$ $I_{OL} = 8\text{mA}$		0.35	0.5	V
V_{IK}	Input clamp voltage	$V_{CC} = \text{MIN}$, $I_I = I_{IK}$		-0.73	-1.5	V
I_I	Input current at maximum input voltage	$V_{CC} = \text{MAX}$, $V_I = 7.0\text{V}$			0.1	mA
I_{IH}	High-level input current	$V_{CC} = \text{MAX}$, $V_I = 2.7\text{V}$			20	μA
I_{IL}	Low-level input current	$V_{CC} = \text{MAX}$, $V_I = 0.4\text{V}$			-0.1	mA
I_O^3	Output current	$V_{CC} = \text{MAX}$, $V_O = 2.25\text{V}$	-30		-112	mA
I_{CC}	Supply current (total)	$V_{CC} = \text{MAX}$		10	21	mA

NOTES:

- For conditions shown as MIN or MAX, use the appropriate value specified under recommended operating conditions for the applicable type.
- All typical values are at $V_{CC} = 5\text{V}$, $T_A = 25^\circ\text{C}$.
- The output conditions have been chosen to produce a current that closely approximates one half of the true short-circuit output current, I_{OS} .

Counters

74ALS161B, 74ALS163B

AC ELECTRICAL CHARACTERISTICS

SYMBOL	PARAMETER	TEST CONDITION	LIMITS		UNIT
			$T_A = 0^\circ\text{C to } +70^\circ\text{C}$ $V_{CC} = 5V \pm 10\%$ $C_L = 50\text{pF}$ $R_L = 500\Omega$		
			Min	Max	
t_{MAX}	Maximum clock frequency	Waveform 1	100		MHz
t_{PLH} t_{PHL}	Propagation delay CP to Q_n	Waveform 1	4 6	13 16	ns
t_{PLH} t_{PHL}	Propagation delay CP to TC	Waveform 1	6 8	16 16	ns
t_{PLH} t_{PHL}	Propagation delay CET to TC	Waveform 2	3 3	10 10	ns
t_{PHL}	Propagation delay \overline{MR} to Q_n	'161B Waveform 3	8	15	ns
t_{PHL}	Propagation delay \overline{MR} to TC	'161B Waveform 3	11	19	ns

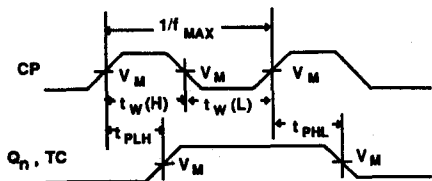
AC SETUP REQUIREMENTS

SYMBOL	PARAMETER	TEST CONDITION	LIMITS		UNIT
			$T_A = 0^\circ\text{C to } +70^\circ\text{C}$ $V_{CC} = 5V \pm 10\%$ $C_L = 50\text{pF}$ $R_L = 500\Omega$		
			Min	Max	
$t_s(H)$ $t_s(L)$	Setup time, High or Low D_n to CP	Waveform 6	8 8		ns
$t_h(H)$ $t_h(L)$	Hold time, High or Low D_n to CP	Waveform 6	0 0		ns
$t_s(H)$ $t_s(L)$	Setup time, High or Low \overline{PE} or \overline{SR} to CP	Waveform 5 or 6	10 10		ns
$t_h(H)$ $t_h(L)$	Hold time, High or Low \overline{PE} or \overline{SR} to CP	Waveform 5 or 6	0 0		ns
$t_s(H)$ $t_s(L)$	Setup time, High or Low CET or CEP to CP	Waveform 4	10 10		ns
$t_h(H)$ $t_h(L)$	Hold time, High or Low CET or CEP to CP	Waveform 4	0 0		ns
$t_w(H)$ $t_w(L)$	CP pulse width (Load) High or Low	Waveform 1	5 5		ns
$t_w(H)$ $t_w(L)$	CP pulse width (Count) High or Low	Waveform 1	5 5		ns
$t_w(L)$	\overline{MR} or \overline{SR} pulse width, Low	Waveform 3	5		ns
t_{REC}	Recovery time, \overline{MR} or \overline{SR} to CP	Waveform 3	10		ns

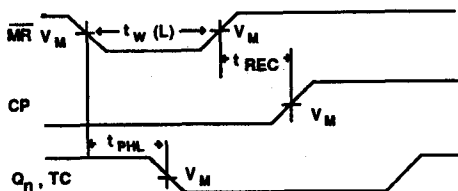
Counters

74ALS161B, 74ALS163B

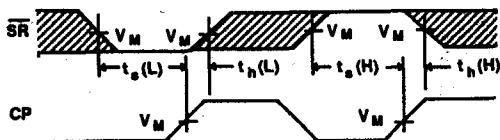
AC WAVEFORMS



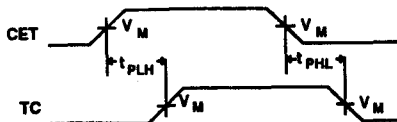
Waveform 1.
Propagation Delay, Clock Input to Output, Clock Pulse Width, and Maximum Clock Frequency



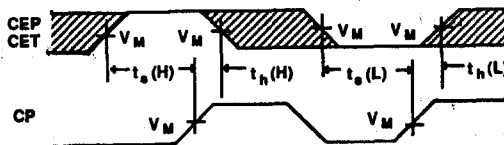
Waveform 3.
Master Reset pulse width, Master Reset to Output Delay and Master Reset to Recovery Time



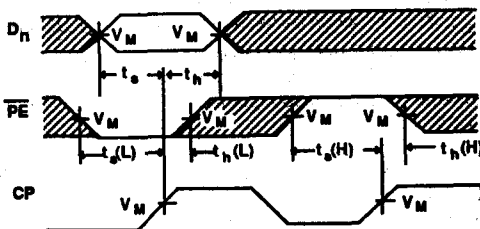
Waveform 5.
Synchronous Reset Setup and Hold Times



Waveform 2.
Propagation Delay, CET Input to TC Output



Waveform 4.
CEP and CET Reset Setup and Hold Times

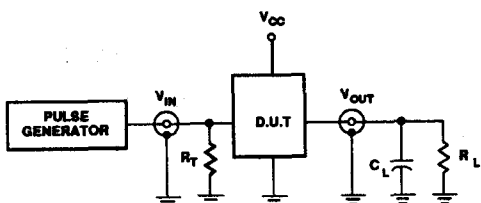


Waveform 6.
Parallel Data and Parallel Enable Setup and Hold Times

NOTE: For all waveforms, $V_M = 1.3V$.

The shaded areas indicate when the input is permitted to change for predictable output performance.

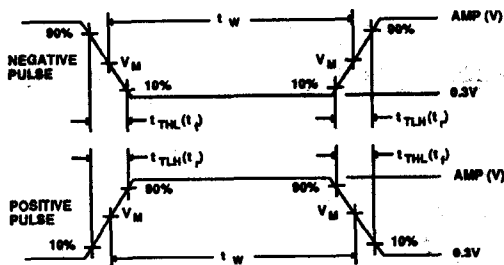
TEST CIRCUIT AND WAVEFORMS



Test Circuit For Totem-Pole Outputs

DEFINITIONS

- R_L = Load resistor; see AC CHARACTERISTICS for value.
- C_L = Load capacitance includes jig and probe capacitance; see AC CHARACTERISTICS for value.
- R_T = Termination resistance should be equal to Z_{OUT} of pulse generators.



$V_M = 1.3V$

Input Pulse Definition

FAMILY	INPUT PULSE REQUIREMENTS				
	Amplitude	Rep. Rate	t_w	t_{TLH}	t_{THL}
74ALS	3.5V	1MHz	500ns	2.0ns	2.0ns

74ALS164

Shift Register

8-Bit Serial-In Parallel-Out Shift Register
Preliminary Specification

FEATURES

- Gated serial data inputs
- Typical shift frequency of 60 MHz
- Asynchronous Master Reset
- Buffered Clock and Data Inputs
- Fully synchronous data transfer

TYPE	TYPICAL f_{MAX}	TYPICAL SUPPLY CURRENT (TOTAL)
74ALS164	60 MHz	3.5 mA

DESCRIPTION

The 74ALS164 is an 8-bit edge-triggered shift register with serial data entry and an output from each of the eight stages. Data is entered serially through one of two inputs (D_{sa} , D_{sb}); either input can be used as an active-High enable for data entry through the other input. Both inputs must be connected together or an unused input must be tied High.

Data shifts one place to the right on each Low-to-High transition of the Clock (CP) input, and enters into Q_0 , the logical AND of the two Data inputs (D_{sa} , D_{sb}) that existed one setup time before the rising clock edge. A Low level on the Master Reset (\overline{MR}) input overrides all other inputs and clears the register asynchronously, forcing all outputs Low.

ORDERING INFORMATION

PACKAGES	COMMERCIAL RANGE $V_{CC} = 5V \pm 10\%$; $T_A = 0^\circ C$ to $+70^\circ C$
14-Pin Plastic DIP	74ALS164N
14-Pin Plastic SO	74ALS164D

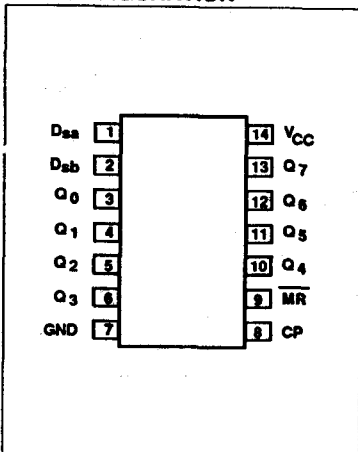
INPUT AND OUTPUT LOADING AND FAN-OUT TABLE

PINS	DESCRIPTION	74ALS(U.L.) HIGH/LOW	LOAD VALUE HIGH/LOW
D_{sa} , D_{sb}	Data inputs	1.0/1.0	20 μ A/0.1mA
CP	Clock Pulse input (active rising edge)	1.0/1.0	20 μ A/0.1mA
\overline{MR}	Master Reset input (active-Low)	1.0/1.0	20 μ A/0.1mA
Q_0 - Q_7	Outputs	20/80	0.4mA/8mA

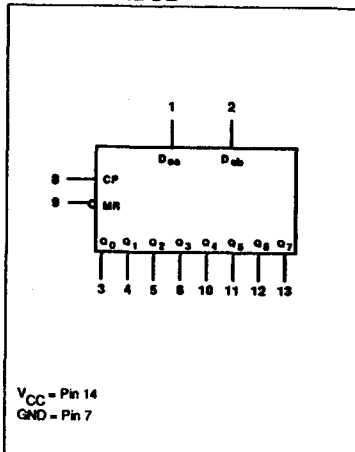
NOTE:

One (1.0) ALS Unit Load is defined as: 20 μ A in the High state and 0.1mA in the Low state.

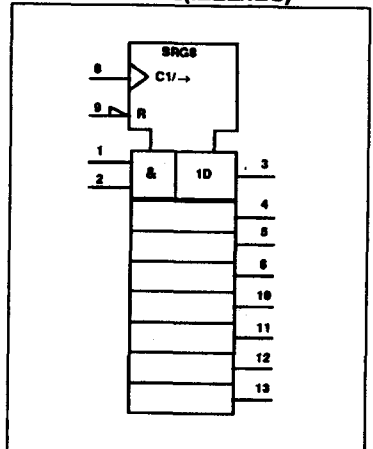
PIN CONFIGURATION



LOGIC SYMBOL



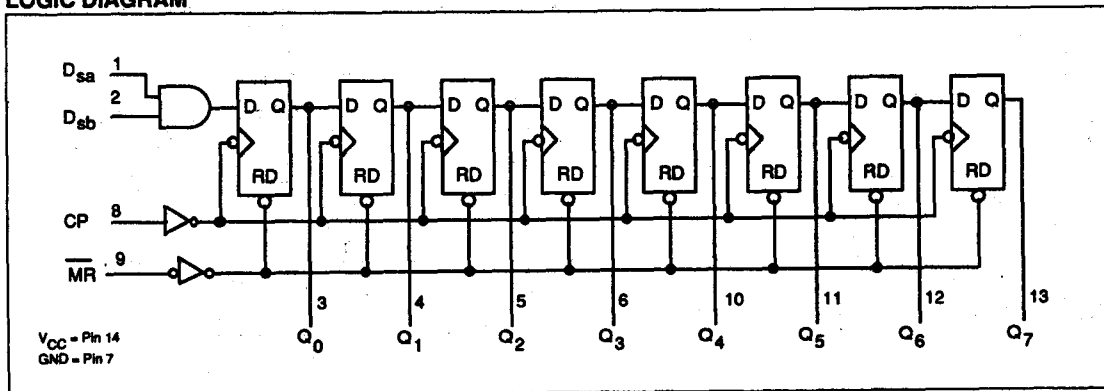
LOGIC SYMBOL (IEEE/IEC)



Shift Register

74ALS164

LOGIC DIAGRAM

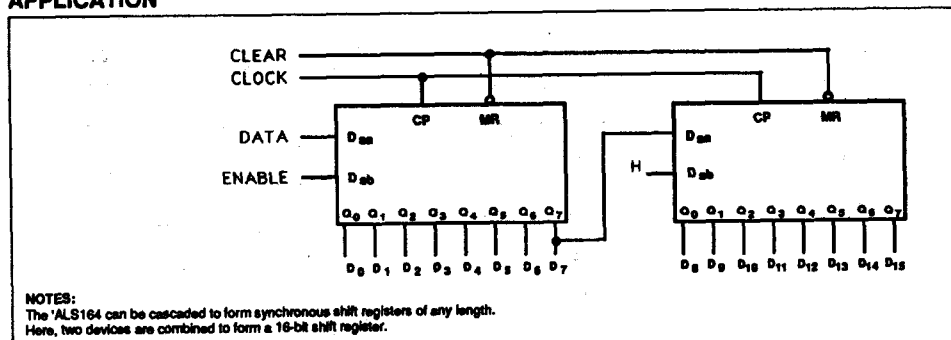


FUNCTION TABLE

INPUTS				OUTPUTS			OPERATING MODE
MR	CP	D _{sa}	D _{sb}	Q ₀	Q ₁ ... Q ₇		
L	X	X	X	L	L	L	Reset (clear)
H	↑	l	l	L	q ₀	q ₆	Shift
H	↑	l	h	L	q ₀	q ₆	
H	↑	h	l	L	q ₀	q ₆	
H	↑	h	h	H	q ₀	q ₆	

- H = High voltage level
- h = High voltage level one set-up time prior to the Low-to-High clock transition
- L = Low voltage level
- l = Low voltage level one set-up time prior to the Low-to-High clock transition
- q_n = Lower case letters indicates the state of the referenced input (or output) on setup time prior to the Low-to-High clock transition
- X = Don't care
- ↑ = Low-to-High clock transition

APPLICATION



NOTES:
 The 'ALS164 can be cascaded to form synchronous shift registers of any length.
 Here, two devices are combined to form a 16-bit shift register.

Shift Register

74ALS164

ABSOLUTE MAXIMUM RATINGS (Operation beyond the limits set forth in this table may impair the useful life of the device. Unless otherwise noted these limits are over the operating free-air temperature range.)

SYMBOL	PARAMETER	RATING	UNIT
V_{CC}	Supply voltage	-0.5 to +7.0	V
V_{IN}	Input voltage	-0.5 to +7.0	V
I_{IN}	Input current	-30 to +5	mA
V_{OUT}	Voltage applied to output in High output state	-0.5 to $+V_{CC}$	V
I_{OUT}	Current applied to output in Low output state	16	mA
T_A	Operating free-air temperature range	0 to +70	°C
T_{STG}	Storage temperature	-65 to +150	°C

RECOMMENDED OPERATING CONDITIONS

SYMBOL	PARAMETER	LIMITS			UNIT
		Min	Nom	Max	
V_{CC}	Supply voltage	4.5	5.0	5.5	V
V_{IH}	High-level input voltage	2.0			V
V_{IL}	Low-level input voltage			0.8	V
I_{IK}	Input clamp current			-18	mA
I_{OH}	High-level output current			-0.4	mA
I_{OL}	Low-level output current			8	mA
T_A	Operating free-air temperature range	0		70	°C

DC ELECTRICAL CHARACTERISTICS (Over recommended operating free-air temperature range unless otherwise noted.)

SYMBOL	PARAMETER	TEST CONDITIONS ¹	LIMITS			UNIT
			Min	Typ ²	Max	
V_{OH}	High-level output voltage	$V_{CC} \pm 10\%$, $V_L = \text{MAX}$, $V_{IH} = \text{MIN}$, $I_{OH} = \text{MAX}$	$V_{CC} - 2$			V
V_{OL}	Low-level output voltage	$V_{CC} = \text{MIN}$, $V_{IL} = \text{MAX}$		0.25	0.4	V
		$V_{IH} = \text{MIN}$	$I_{OL} = 4\text{mA}$			
V_{IK}	Input clamp voltage	$V_{CC} = \text{MIN}$, $I_I = I_{IK}$		0.35	0.5	V
I_I	Input current at maximum input voltage	$V_{CC} = \text{MAX}$, $V_I = 7.0\text{V}$			100	μA
I_{IH}	High-level input current	$V_{CC} = \text{MAX}$, $V_I = 2.7\text{V}$			20	μA
I_{IL}	Low-level input current	$V_{CC} = \text{MAX}$, $V_I = 0.4\text{V}$			-0.1	mA
I_O^3	Output current	$V_{CC} = \text{MAX}$, $V_O = 2.25\text{V}$	-30		-112	mA
I_{CC}	Supply current (total)	$V_{CC} = \text{MAX}$		10		mA

NOTES:

- For conditions shown as MIN or MAX, use the appropriate value specified under recommended operating conditions for the applicable type.
- All typical values are at $V_{CC} = 5\text{V}$, $T_A = 25^\circ\text{C}$.
- The output conditions have been chosen to produce a current that closely approximates one half of the true short-circuit output current, I_{CS} .

Shift Register

74ALS164

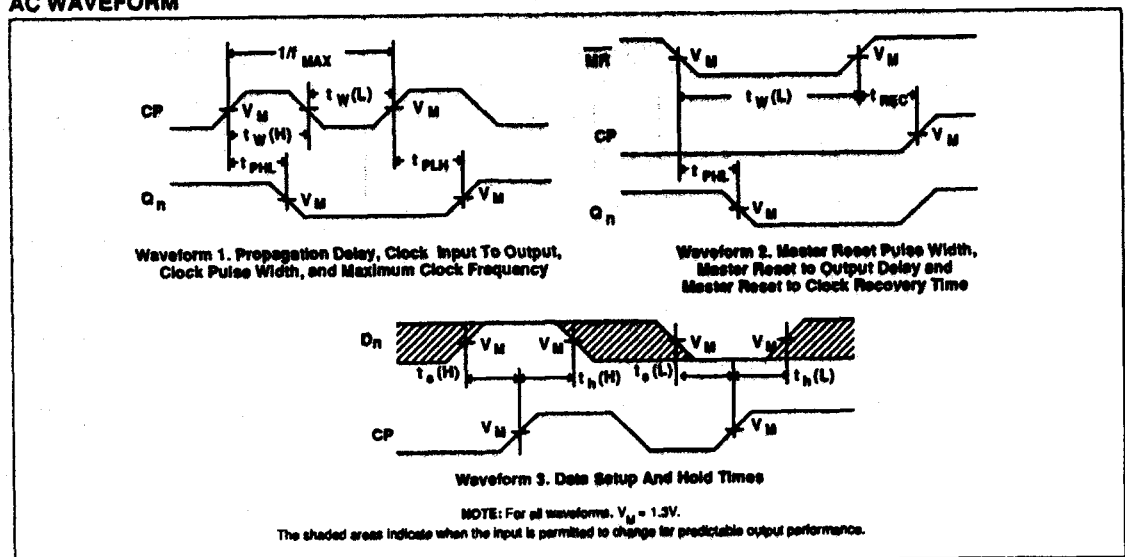
AC ELECTRICAL CHARACTERISTICS

SYMBOL	PARAMETER	TEST CONDITION	LIMITS		UNIT
			$T = 0^{\circ}\text{C to } +70^{\circ}\text{C}$ $V_{CC} = 5\text{V } \pm 10\%$ $C_L = 50\text{pF}$ $R_L = 500\Omega$		
			Min	Max	
f_{MAX}	Maximum Clock frequency	Waveform 1	45		MHz
t_{PLH} t_{PHL}	Propagation delay CP to Q_n	Waveform 1	3.0 4.0	12.0 12.0	ns
t_{PHL}	Propagation delay MR to Q_n	Waveform 2	2.0	10.0	ns

AC SETUP REQUIREMENTS

SYMBOL	PARAMETER	TEST CONDITION	LIMITS		UNIT
			$T = 0^{\circ}\text{C to } +70^{\circ}\text{C}$ $V_{CC} = 5\text{V } \pm 10\%$ $C_L = 50\text{pF}$ $R_L = 500\Omega$		
			Min	Max	
$t_s(H)$ $t_s(L)$	Set-up time D_n to CP	Waveform 3 Waveform 3	10.0 10.0		ns
$t_h(H)$ $t_h(L)$	Hold time D_n to CP	Waveform 3 Waveform 3	0 0		ns
$t_w(H)$ $t_w(L)$	CP Pulse width, High or Low	Waveform 1 Waveform 1	10.0 10.0		ns
$t_w(L)$	MR Pulse width, Low	Waveform 2	10.0		ns
t_{REC}	Recovery time, MR to CP	Waveform 2	6.0		ns

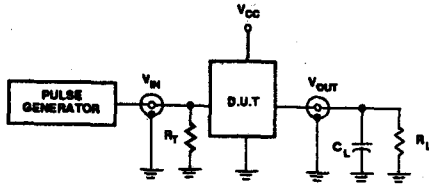
AC WAVEFORM



Shift Register

74ALS164

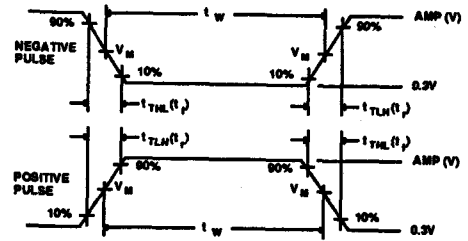
TEST CIRCUIT AND WAVEFORMS



Test Circuit for Totem-Pole Outputs

DEFINITIONS

- R_L = Load resistor; see AC CHARACTERISTICS for value.
- C_L = Load capacitance includes jig and probe capacitance; see AC CHARACTERISTICS for value.
- R_T = Termination resistance should be equal to Z_{OUT} of pulse generators.



$V_M = 1.3V$

Input Pulse Definition

FAMILY	INPUT PULSE REQUIREMENTS				
	Amplitude	Rep. Rate	t_W	t_{TLH}	t_{THL}
74ALS	3.5V	1MHz	500ns	2.0ns	2.0ns

74ALS174

Flip-Flop

Hex D Flip-Flops

Preliminary Specification

FEATURES

- Six edge-triggered D-type flip-flops
- Buffered common Clock
- Buffered, asynchronous Master Reset

DESCRIPTION

The 74ALS174 has six edge-triggered D-type flip-flops with individual D inputs and Q outputs. The common buffered Clock (CP) and Master Reset (MR) inputs load and reset (clear) all flip-flops simultaneously.

The register is fully edge-triggered. The state of each D input, one setup time before the Low-to-High clock transition is transferred to the corresponding flip-flop's Q output.

All Q outputs will be forced Low independent of Clock or Data inputs by a Low voltage level on the MR input. The device is useful for applications where true outputs only are required, and the Clock and Master Reset are common to all storage elements.

TYPE	TYPICAL f_{MAX}	TYPICAL SUPPLY CURRENT (TOTAL)
74ALS174	60 MHz	11 mA

ORDERING INFORMATION

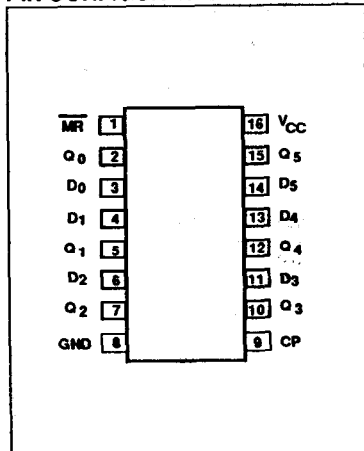
PACKAGES	COMMERCIAL RANGE
	$V_{CC} = 5V \pm 10\%$; $T_A = 0^\circ C$ to $+70^\circ C$
16-Pin Plastic DIP	74ALS174N
16-Pin Plastic SO	74ALS174D

INPUT AND OUTPUT LOADING AND FAN-OUT TABLE

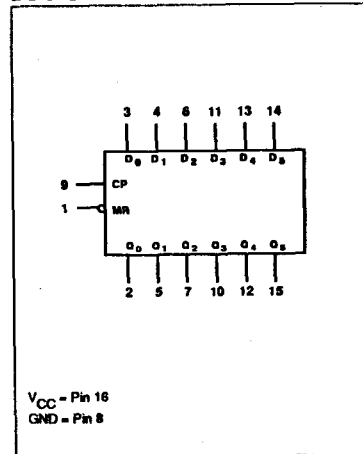
PINS	DESCRIPTION	74ALS(U.L.) HIGH/LOW	LOAD VALUE HIGH/LOW
$D_0 - D_5$	Data inputs	1.0/1.0	20 μ A/0.1mA
CP	Clock Pulse input (active rising edge)	1.0/1.0	20 A/0.1mA
MR	Master Reset input (active-Low)	1.0/1.0	20 μ A/0.1mA
$Q_0 - Q_5$	Outputs	20/80	0.4mA/8mA

NOTE:
One (1.0) ALS Unit Load is defined as: 20 μ A in the High state and 0.1mA in the Low state.

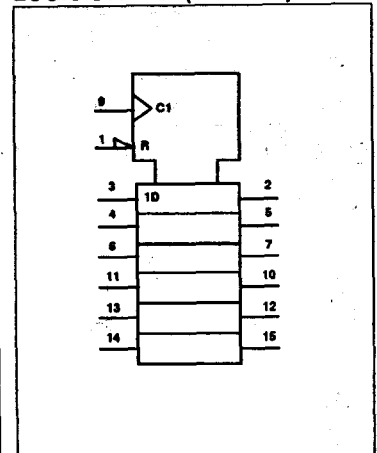
PIN CONFIGURATION



LOGIC SYMBOL



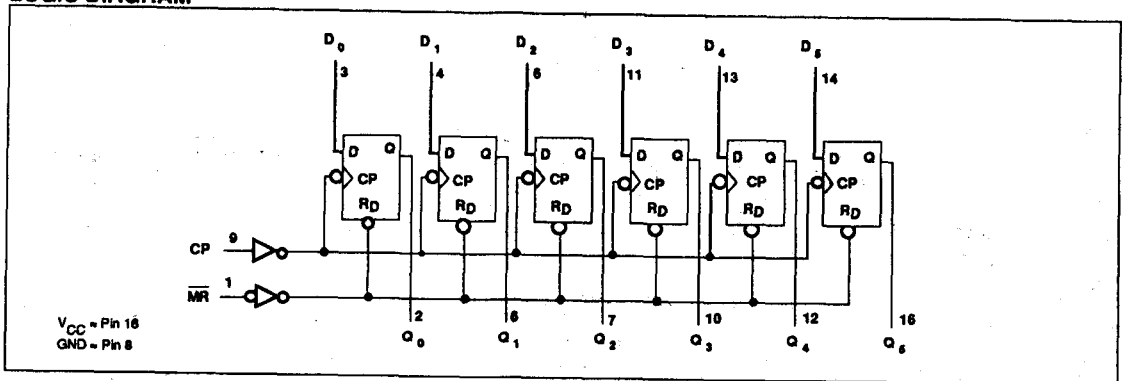
LOGIC SYMBOL (IEEE/IEC)



Flip-Flop

74ALS174

LOGIC DIAGRAM



FUNCTION TABLE

I INPUTS			OUTPUTS	OPERATING MODE
\overline{MR}	CP	D	Q_n	
L	X	X	L	Reset (clear)
H	↑	h	H	Load "1"
H	↑	l	L	Load "0"

H = High voltage level

L = Low voltage level

X = Don't care

↑ = Low-to-High Clock transition

h = High voltage level one set-up time prior to the Low-to-High Clock transition.

l = Low voltage level one set-up time prior to the Low-to-High Clock transition.

ABSOLUTE MAXIMUM RATINGS

(Operation beyond the limits set forth in this table may impair the useful life of the device. Unless otherwise noted these limits are over the operating free-air temperature range.)

SYMBOL	PARAMETER	RATING	UNIT
V_{CC}	Supply voltage	-0.5 to +7.0	V
V_{IN}	Input voltage	-0.5 to +7.0	V
I_{IN}	Input current	-30 to +5	mA
V_{OUT}	Voltage applied to output in High output state	-0.5 to V_{CC}	V
I_{OUT}	Current applied to output in Low output state	16	mA
T_A	Operating free-air temperature range	0 to +70	°C
T_{STG}	Storage temperature	-65 to +150	°C

RECOMMENDED OPERATING CONDITIONS

SYMBOL	PARAMETER	LIMITS			UNIT
		Min	Nom	Max	
V_{CC}	Supply voltage	4.5	5.0	5.5	V
V_{IH}	High-level input voltage	2.0			V
V_{IL}	Low-level input voltage			0.8	V
I_K	Input clamp current			-18	mA
I_{OH}	High-level output current			-0.4	mA
I_{OL}	Low-level output current			8	mA
T_A	Operating free-air temperature range	0		70	°C

Flip-Flop

74ALS174

DC ELECTRICAL CHARACTERISTICS (Over recommended operating free-air temperature range unless otherwise noted.)

SYMBOL	PARAMETER	TEST CONDITIONS ¹	LIMITS			UNIT
			Min	Typ ²	Max	
V_{OH}	High-level output voltage	$V_{CC} \pm 10\%$, $V_{IL} = \text{MAX}$, $V_{IH} = \text{MIN}$, $I_{OH} = \text{MAX}$	$V_{CC} - 2$			V
V_{OL}	Low-level output voltage	$V_{CC} = \text{MIN}$, $V_{IL} = \text{MAX}$		0.25	0.4	V
		$V_{IH} = \text{MIN}$		0.35	0.5	V
V_{IK}	Input clamp voltage	$V_{CC} = \text{MIN}$, $I_I = I_{IK}$			-1.5	V
I_I	Input current at maximum input voltage	$V_{CC} = \text{MAX}$, $V_I = 7.0\text{V}$			100	μA
I_{IH}	High-level input current	$V_{CC} = \text{MAX}$, $V_I = 2.7\text{V}$			20	μA
I_{IL}	Low-level input current	$V_{CC} = \text{MAX}$, $V_I = 0.4\text{V}$			-0.1	mA
I_O^3	Output current	$V_{CC} = \text{MAX}$, $V_O = 2.25\text{V}$	-30		-112	mA
I_{CC}	Supply current (total)	$V_{CC} = \text{MAX}$		11	19	mA

NOTES:

- For conditions shown as MIN or MAX, use the appropriate value specified under recommended operating conditions for the applicable type.
- All typical values are at $V_{CC} = 5\text{V}$, $T_A = 25^\circ\text{C}$.
- The output conditions have been chosen to produce a current that closely approximates one half of the true short-circuit output current, I_{OC} .

AC ELECTRICAL CHARACTERISTICS

SYMBOL	PARAMETER	TEST CONDITION	LIMITS		UNIT
			$T_A = 0^\circ\text{C to } +70^\circ\text{C}$ $V_{CC} = 5\text{V} \pm 10\%$ $C_L = 50\text{pF}$ $R_L = 500\Omega$		
			Min	Max	
f_{MAX}	Maximum Clock frequency	Waveform 1	50		MHz
t_{PLH} t_{PHL}	Propagation delay CP to Q_n	Waveform 1	3.0	15.0	ns
			5.0	17.0	
t_{PHL}	Propagation delay MR to Q_n	Waveform 2	8.0	23.0	ns

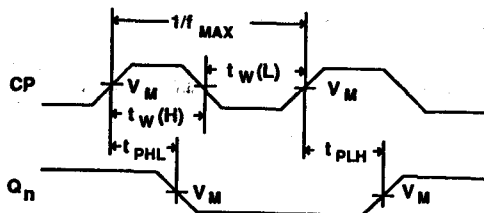
AC SETUP REQUIREMENTS

SYMBOL	PARAMETER	TEST CONDITION	LIMITS		UNIT
			$T_A = 0^\circ\text{C to } +70^\circ\text{C}$ $V_{CC} = 5\text{V} \pm 10\%$ $C_L = 50\text{pF}$ $R_L = 500\Omega$		
			Min	Max	
$t_s(H)$ $t_s(L)$	Set-up time D_n to CP	Waveform 3	10.0		ns
		Waveform 3	10.0		
$t_h(H)$ $t_h(L)$	Hold time D_n to CP ¹	Waveform 3	0		ns
		Waveform 3	0		
$t_w(H)$ $t_w(L)$	CP Pulse width, High or Low	Waveform 1	10.0		ns
		Waveform 1	10.0		
$t_w(L)$	MR Pulse width, Low	Waveform 2	10.0		ns
t_{rec}	Recovery time, MR to CP	Waveform 2	6.0		ns

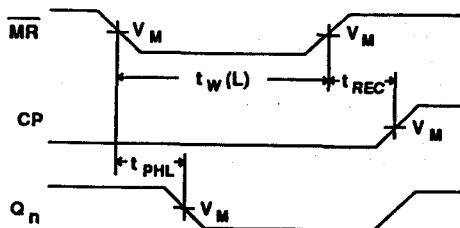
Flip-Flop

74ALS174

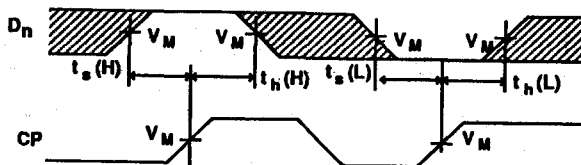
AC WAVEFORM



Waveform 1. Propagation Delay, Clock Input To Output, Clock Pulse Width, and Maximum Clock Frequency



Waveform 2. Master Reset Pulse Width, Master Reset to Output Delay and Master Reset to Clock Recovery Time

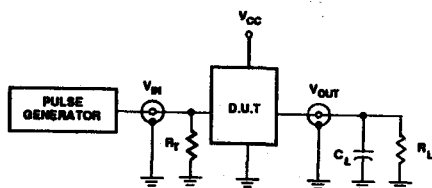


Waveform 3. Data Setup And Hold Times

NOTE: For all waveforms, $V_M = 1.3V$.

The shaded areas indicate when the input is permitted to change for predictable output performance.

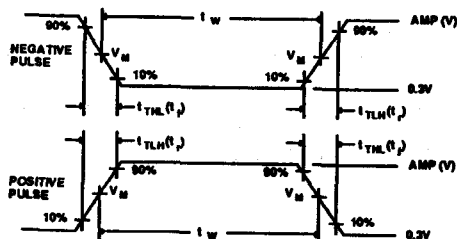
TEST CIRCUIT AND WAVEFORMS



Test Circuit for Totem-Pole Outputs

DEFINITIONS

- R_L = Load resistor; see AC CHARACTERISTICS for value.
- C_L = Load capacitance includes jig and probe capacitance; see AC CHARACTERISTICS for value.
- R_T = Termination resistance should be equal to Z_{OUT} of pulse generators.



$V_M = 1.3V$

Input Pulse Definition

FAMILY	INPUT PULSE REQUIREMENTS				
	Amplitude	Rep. Rate	t_w	t_{TLH}	t_{THL}
74ALS	3.5V	1MHz	500ns	2.0ns	2.0ns

74ALS175

Flip-Flop

Quad D Flip-Flops
Preliminary Specification

FEATURES

- Four edge-triggered D flip-flops
- Buffered common Clock
- Buffered, asynchronous Master Reset
- True and complementary outputs

DESCRIPTION

The 74ALS175 is a quad, edge-triggered D-type flip-flops with individual D inputs and both Q and \bar{Q} outputs. The common buffered Clock (CP) and Master Reset (\overline{MR}) inputs load and reset (clear) all flip-flops simultaneously.

The register is fully edge-triggered. The state of each D input, one setup time before the Low-to-High clock transition is transferred to the corresponding flip-flop's Q output.

All Q outputs will be forced Low independent of Clock or Data inputs by a Low voltage level on the \overline{MR} input. The device is useful for applications where both true and complementary outputs are required, and the Clock and Master Reset are common to all storage elements.

TYPE	TYPICAL f_{MAX}	TYPICAL SUPPLY CURRENT (TOTAL)
74ALS175	60 MHz	11 mA

ORDERING INFORMATION

PACKAGES	COMMERCIAL RANGE
	$V_{CC} = 5V \pm 10\%$; $T_A = 0^\circ C$ to $+70^\circ C$
16-Pin Plastic DIP	74ALS175N
16-Pin Plastic SO	74ALS175D

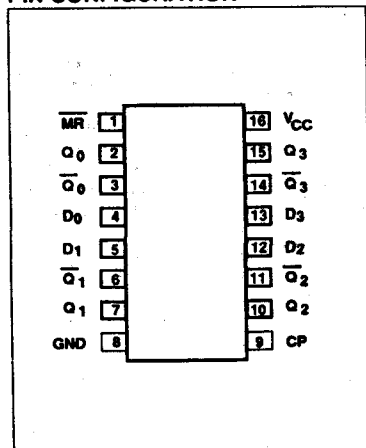
INPUT AND OUTPUT LOADING AND FAN-OUT TABLE

PINS	DESCRIPTION	74ALS(U.L.) HIGH/LOW	LOAD VALUE HIGH/LOW
$D_0 - D_3$	Data inputs	1.0/1.0	20 μ A/0.1mA
CP	Clock Pulse input (active rising edge)	1.0/1.0	20 A/0.1mA
\overline{MR}	Master Reset input (active-Low)	1.0/1.0	20 μ A/0.1mA
$Q_0 - Q_3$	True outputs	20/80	0.4mA/8mA
$\bar{Q}_0 - \bar{Q}_3$	Complementary outputs	20/80	0.4mA/8mA

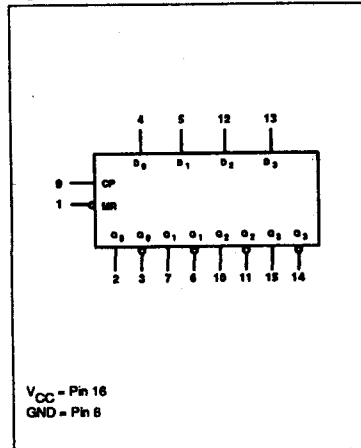
NOTE:

One (1.0) ALS Unit Load is defined as: 20 μ A in the High state and 0.1mA in the Low state.

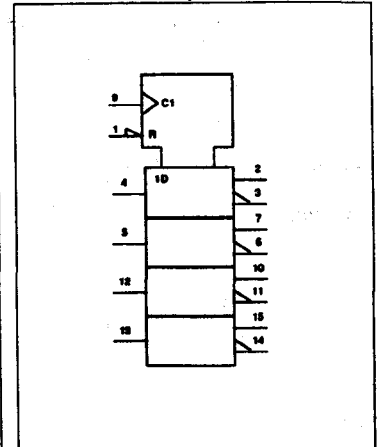
PIN CONFIGURATION



LOGIC SYMBOL



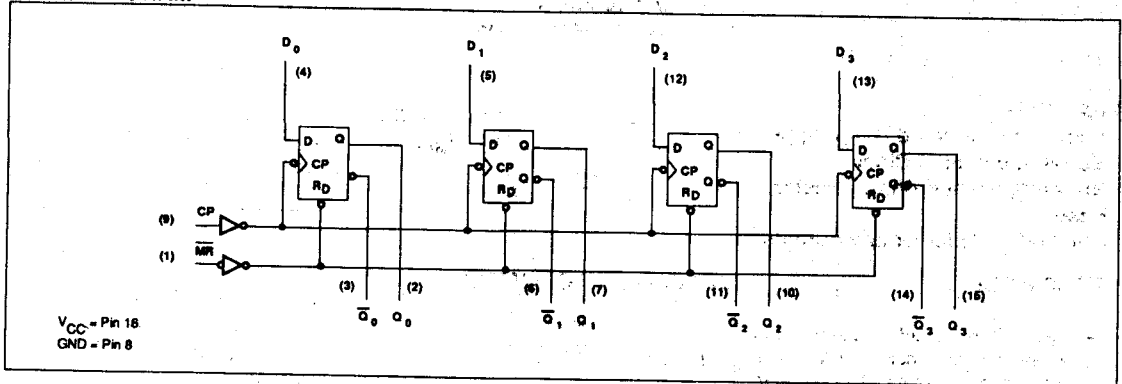
LOGIC SYMBOL (IEEE/IEC)



Flip-Flop

74ALS175

LOGIC DIAGRAM



FUNCTION TABLE

OPERATING MODE	INPUTS			OUTPUTS	
	\overline{MR}	CP	D _n	Q _n	\overline{Q}_n
Reset (clear)	L	X	X	L	H
Load "1"	H	↑	h	H	L
Load "0"	H	↑	l	L	H

H = High voltage level

L = Low voltage level

X = Don't care

↑ = Low-to-High Clock transition

h = High voltage level one set-up time prior to the Low-to-High Clock transition.

l = Low voltage level one set-up time prior to the Low-to-High Clock transition.

ABSOLUTE MAXIMUM RATINGS

(Operation beyond the limits set forth in this table may impair the useful life of the device. Unless otherwise noted these limits are over the operating free-air temperature range.)

SYMBOL	PARAMETER	RATING	UNIT
V _{CC}	Supply voltage	-0.5 to +7.0	V
V _{IN}	Input voltage	-0.5 to +7.0	V
I _{IN}	Input current	-30 to +5	mA
V _{OUT}	Voltage applied to output in High output state	-0.5 to +V _{CC}	V
I _{OUT}	Current applied to output in Low output state	16	mA
T _A	Operating free-air temperature range	0 to +70	°C
T _{STG}	Storage temperature	-65 to +150	°C

RECOMMENDED OPERATING CONDITIONS

SYMBOL	PARAMETER	LIMITS			UNIT
		Min	Nom	Max	
V _{CC}	Supply voltage	4.5	5.0	5.5	V
V _{IH}	High-level input voltage	2.0			V
V _{IL}	Low-level input voltage			0.8	V
I _{IK}	Input clamp current			-18	mA
I _{OH}	High-level output current			-0.4	mA
I _{OL}	Low-level output current			8	mA
T _A	Operating free-air temperature range	0		70	°C

Flip-Flop

74ALS175

DC ELECTRICAL CHARACTERISTICS (Over recommended operating free-air temperature range unless otherwise noted.)

SYMBOL	PARAMETER	TEST CONDITIONS ¹	LIMITS			UNIT
			Min	Typ ²	Max	
V_{OH}	High-level output voltage	$V_{CC} \pm 10\%$, $V_L = \text{MAX}$, $V_H = \text{MIN}$, $I_{OH} = \text{MAX}$	V_{CC}^2			V
V_{OL}	Low-level output voltage	$V_{CC} = \text{MIN}$, $V_L = \text{MAX}$ $V_H = \text{MIN}$				V
			$I_{OL} = 4\text{mA}$	0.25	0.4	V
						V
		$I_{OL} = 8\text{mA}$	0.35	0.5		V
V_{IK}	Input clamp voltage	$V_{CC} = \text{MIN}$, $I_I = I_{IK}$			-1.5	V
I_I	Input current at maximum input voltage	$V_{CC} = \text{MAX}$, $V_I = 7.0\text{V}$			100	μA
I_{IH}	High-level input current	$V_{CC} = \text{MAX}$, $V_I = 2.7\text{V}$			20	μA
I_{IL}	Low-level input current	$V_{CC} = \text{MAX}$, $V_I = 0.4\text{V}$			-0.1	mA
I_O^3	Output current	$V_{CC} = \text{MAX}$, $V_O = 2.25\text{V}$	-30		-112	mA
I_{CC}	Supply current (total)	$V_{CC} = \text{MAX}$		9	14	mA

NOTES:

- For conditions shown as MIN or MAX, use the appropriate value specified under recommended operating conditions for the applicable type.
- All typical values are at $V_{CC} = 5\text{V}$, $T_A = 25^\circ\text{C}$.
- The output conditions have been chosen to produce a current that closely approximates one half of the true short-circuit output current, I_{OS} .

AC ELECTRICAL CHARACTERISTICS

SYMBOL	PARAMETER	TEST CONDITION	LIMITS		UNIT
			$T_A = 0^\circ\text{C to } +70^\circ\text{C}$ $V_{CC} = 5\text{V} \pm 10\%$ $C_L = 50\text{pF}$ $R_L = 500\Omega$		
			Min	Max	
f_{MAX}	Maximum Clock frequency	Waveform 1	50		MHz
t_{PLH} t_{PHL}	Propagation delay CP to Q_n or \bar{Q}_n	Waveform 1	3.0 5.0	15.0 17.0	ns
t_{PLH}	Propagation delay $\overline{\text{MR}}$ to Q_n	Waveform 2	5.0	18.0	ns
t_{PHL}	Propagation delay $\overline{\text{MR}}$ to \bar{Q}_n	Waveform 2	8.0	23.0	ns

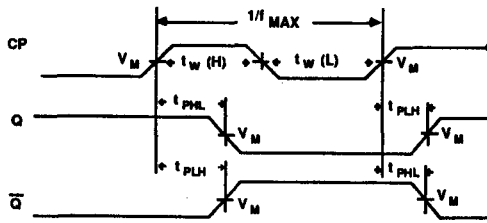
AC SETUP REQUIREMENTS

SYMBOL	PARAMETER	TEST CONDITION	LIMITS		UNIT
			$T_A = 0^\circ\text{C to } +70^\circ\text{C}$ $V_{CC} = 5\text{V} \pm 10\%$ $C_L = 50\text{pF}$ $R_L = 500\Omega$		
			Min	Max	
t_s^4 (H) t_s^4 (L)	Set-up time D_n to CP	Waveform 3 Waveform 3	10.0 10.0		ns
t_h^4 (H) t_h^4 (L)	Hold time D_n to CP	Waveform 3 Waveform 3	0 0		ns
t_w^4 (H) t_w^4 (L)	CP Pulse width, High or Low	Waveform 1 Waveform 1	10.0 10.0		ns
t_w^4 (L)	$\overline{\text{MR}}$ Pulse width, Low	Waveform 2	10.0		ns
t_{rec}	Recovery time, $\overline{\text{MR}}$ to CP	Waveform 2	6.0		ns

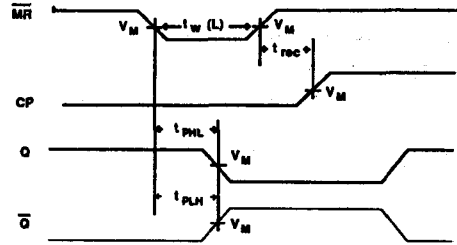
Flip-Flop

74ALS175

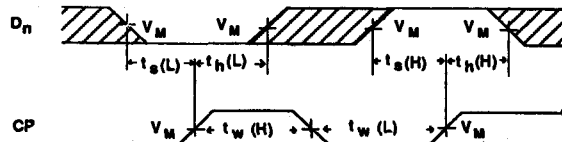
AC WAVEFORM



Waveform 1. Clock to output delay and clock pulse width



Waveform 2. Master reset to output delay, reset pulse width, and master reset to clock recovery time

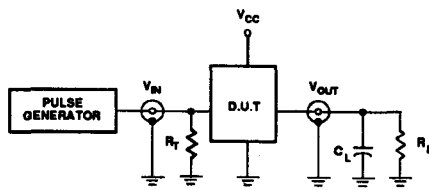


Waveform 3. Data setup time and hold times

NOTE: For all waveforms, $V_M = 1.3V$.

The shaded areas indicate when the input is permitted to change for predictable output performance.

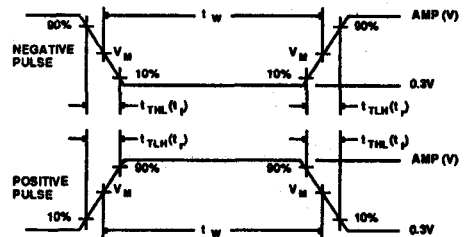
TEST CIRCUIT AND WAVEFORMS



Test Circuit for Totem-Pole Outputs

DEFINITIONS

- R_L = Load resistor; see AC CHARACTERISTICS for value.
- C_L = Load capacitance includes jig and probe capacitance; see AC CHARACTERISTICS for value.
- R_T = Termination resistance should be equal to Z_{OUT} of pulse generators.



$V_M = 1.3V$

Input Pulse Definition

FAMILY	INPUT PULSE REQUIREMENTS				
	Amplitude	Rep. Rate	t_w	$t_{TLH}(t_p)$	$t_{THL}(t_p)$
74ALS	3.5V	1MHz	500ns	2.0ns	2.0ns

74ALS191 Counter

Up/Down Binary Counter With Reset and Ripple Clock
Preliminary Specification

FEATURES

- Synchronous, reversible counting
- Asynchronous parallel load capability
- Cascadable without external logic
- Single up/down control input

DESCRIPTION

The 74ALS191 is a presettable 4-bit Binary up/down Counter. It contains four edge-triggered master/slave flip-flops with internal gating and steering logic to provide asynchronous preset and synchronous count up and count down operations. Asynchronous parallel load capability permits the counter to preset to any desired number. Information present on the parallel data inputs (D_0 - D_3) is loaded into the counter and appears on the outputs when the parallel load (\overline{PL}) input is Low. This operation overrides the counting function. Counting is inhibited by a High level on the count enable (\overline{CE}) input. When \overline{CE} is Low, internal state changes are initiated. Overflow/underflow indications are provided by two types of outputs, the Terminal Count (TC) and Ripple Clock (\overline{RC}).

The TC output is normally Low and goes High when the count reaches zero in the count-down mode or "15" in the count up mode. The TC output will remain High until a state change occurs, either by counting or presetting, or

TYPE	TYPICAL f_{MAX}	TYPICAL SUPPLY CURRENT (TOTAL)
74ALS191	40MHz	12mA

ORDERING INFORMATION

PACKAGES	COMMERCIAL RANGE $V_{CC} = 5V \pm 10\%$; $T_A = 0^\circ C$ to $+70^\circ C$
16-Pin Plastic Dip	74ALS191N
16-Pin Plastic SO	74ALS191D

INPUT AND OUTPUT LOADING AND FAN-OUT TABLE

PINS	DESCRIPTION	74ALS(U.L.) HIGH/LOW	LOAD VALUE HIGH/LOW
D_0 - D_3	Data inputs	1.0/1.0	20 μ A/0.1mA
\overline{CE}	Count enable input (active Low)	1.0/1.0	20 μ A/0.1mA
CP	Clock input (active rising edge)	1.0/1.0	20 μ A/0.1mA
\overline{PL}	Asynchronous parallel load control input (active Low)	1.0/1.0	20 μ A/0.1mA
$\overline{U/D}$	Up/Down count control input	1.0/1.0	20 μ A/0.1mA
Q_0 - Q_3	Flip-flop outputs	20/80	0.4mA/8mA
\overline{RC}	Ripple clock output (active Low)	20/80	0.4mA/8mA
TC	Terminal count output	20/80	0.4mA/8mA

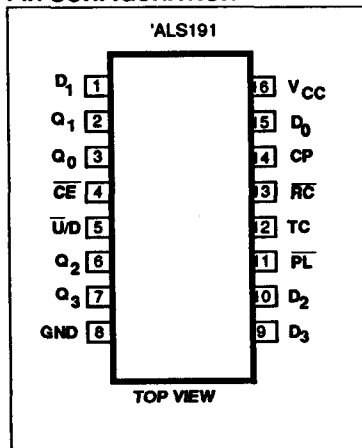
NOTE:

One (1.0) ALS Unit Load is defined as: 20 μ A in the High state and 0.1mA in the Low state.

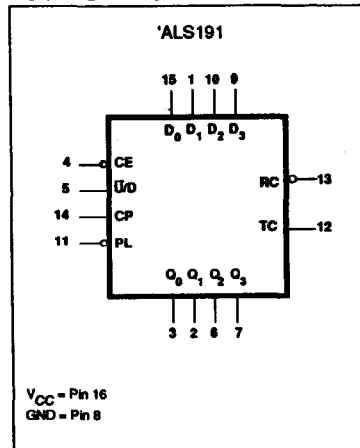
until $\overline{U/D}$ is changed. TC output should not be used as a clock signal because it is subject to decoding spikes. The TC signal is used internally to enable the \overline{RC} output. When TC is

High and \overline{CE} is Low, the \overline{RC} follows the clock pulse. The \overline{RC} output essentially duplicates the Low clock pulse width, although delayed in time by two gate delays.

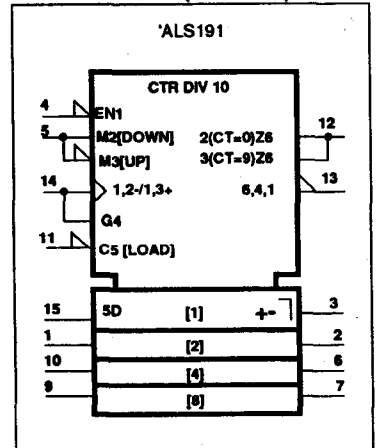
PIN CONFIGURATION



LOGIC SYMBOL



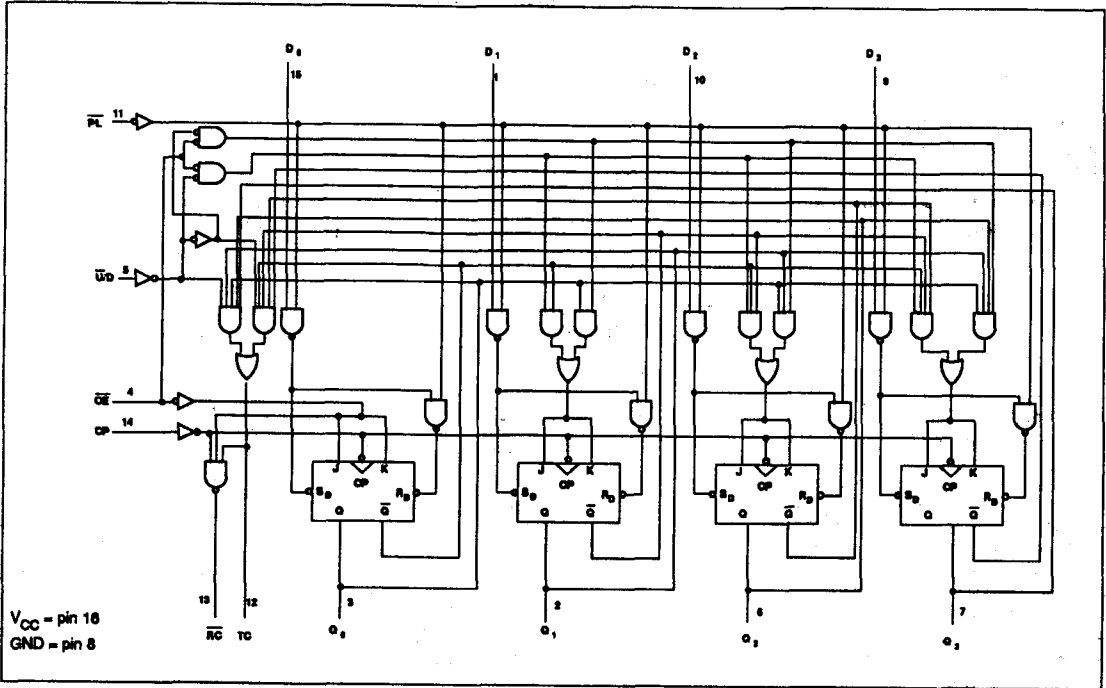
LOGIC SYMBOL (IEEE/IEC)



Counter

74ALS191

LOGIC DIAGRAM



MODE SELECTION FUNCTION TABLE

INPUTS					OUTPUT	OPERATING MODE
\overline{PL}	\overline{UD}	\overline{CE}	CP	D_n	Q_n	
L	X	X	X	L	L	Parallel load
L	X	X	X	H	H	
H	L	I	\uparrow	X	Count up	Count up
H	H	I	\uparrow	X	Count down	Count down
H	X	H	X	X	No change	Hold (do nothing)

TC and \overline{RC} FUNCTION TABLE

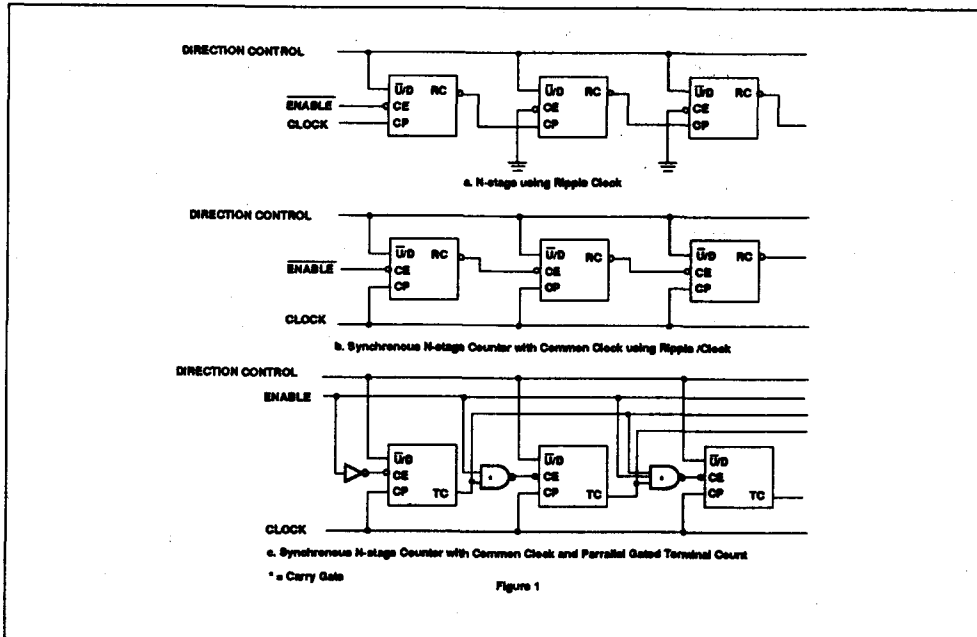
INPUTS			TERMINAL COUNT STATE				OUTPUTS	
\overline{UD}	\overline{CE}	CP	Q_0	Q_1	Q_2	Q_3	TC	\overline{RC}
H	H	X	H	H	H	H	L	\overline{H}
L	H	X	H	H	H	H	H	H
L	L	\overline{H}	H	H	H	H	\downarrow	\overline{H}
L	H	X	L	L	L	L	L	H
H	H	X	L	L	L	L	H	H
H	L	\overline{H}	L	L	L	L	\downarrow	\overline{H}

- H = High voltage level
- h = High voltage level one set-up time prior to the Low-to-High clock transition
- L = Low voltage level
- l = Low voltage level one set-up time prior to the Low-to-High clock transition
- X = Don't care
- \uparrow = Low-to-High clock transition
- \overline{H} = Low pulse
- \overline{H} = High-to-Low clock transition

Counter

74ALS191

APPLICATIONS



The 'ALS191 simplifies the design of multi-stage counters, as indicated in Figures 1a and 1b. In Figure 1a, each \overline{RC} output is used as the clock input for the next higher stage. When the clock input source has limited drive capability this configuration is particularly advantageous, since the clock source drives only the first stage. It is only necessary to inhibit the first stage to prevent counting in all stages, since a High signal on \overline{CE} inhibits the \overline{RC} output pulse as indicated in the Mode Select Table. The timing skew between state changes in the first stage and the last stages is represented by the

cumulative delay of the clock as it ripples through the preceding stages. This is a disadvantage of the configuration in some applications.

Figure 1b shows a method of causing state changes to occur simultaneously in all stages. The \overline{RC} output signals propagate in ripple fashion and all clock inputs are driven in parallel. The Low state duration of the clock in this configuration must be long enough to allow the negative going edge of the \overline{RC} signal to ripple through to the last stage before the clock goes High. Since the \overline{RC} output of any package

goes High shortly after its clock input goes High, there is no restriction on the High state duration of the clock.

In the Figure 1c, the configuration shown avoids ripple delays and their associated restrictions. The combined TC signals from all the preceding stages forms the \overline{CE} input signal for given stage. An enable signal must also be included in each carry gate in order to inhibit counting. Since the TC output of a given stage is not affected by its own \overline{CE} , the simple scheme of Figure 1a and 1b does not apply.

Counter

74ALS191

ABSOLUTE MAXIMUM RATINGS (Operation beyond the limits set forth in this table may impair the useful life of the device. Unless otherwise noted these limits are over the operating free-air temperature range.)

SYMBOL	PARAMETER	RATING	UNIT
V_{CC}	Supply voltage	-0.5 to +7.0	V
V_{IN}	Input voltage	-0.5 to +7.0	V
I_{IN}	Input current	-30 to +5	mA
V_{OUT}	Voltage applied to output in High output state	-0.5 to $+V_{CC}$	V
I_{OUT}	Current applied to output in Low output state	16	mA
T_A	Operating free-air temperature range	0 to +70	°C
T_{STG}	Storage temperature	-65 to +150	°C

RECOMMENDED OPERATING CONDITIONS

SYMBOL	PARAMETER	LIMITS			UNIT
		Min	Nom	Max	
V_{CC}	Supply voltage	4.5	5.0	5.5	V
V_{IH}	High-level input voltage	2.0			V
V_{IL}	Low-level input voltage			0.8	V
I_{IK}	Input clamp current			-18	mA
I_{OH}	High-level output current			-0.4	mA
I_{OL}	Low-level output current			8	mA
T_A	Operating free-air temperature range	0		70	°C

DC ELECTRICAL CHARACTERISTICS (Over recommended operating free-air temperature range unless otherwise noted.)

SYMBOL	PARAMETER	TEST CONDITIONS ¹	LIMITS			UNIT
			Min	Typ ²	Max	
V_{OH}	High-level output voltage	$V_{CC} \pm 10\%$, $V_{IL} = \text{MAX}$, $V_{IH} = \text{MIN}$, $I_{OH} = -0.4\text{mA}$	$V_{CC} - 2$			V
V_{OL}	Low-level output voltage	$V_{CC} = \text{MIN}$, $V_{IL} = \text{MAX}$, $V_{IH} = \text{MIN}$, $I_{OL} = 4\text{mA}$		0.25	0.4	V
		$V_{CC} = \text{MAX}$, $V_{IL} = \text{MIN}$, $V_{IH} = \text{MAX}$, $I_{OL} = 8\text{mA}$		0.35	0.5	V
V_{IK}	Input clamp voltage	$V_{CC} = \text{MIN}$, $I_I = I_{IK}$		-0.73	-1.5	V
I_I	Input current at maximum input voltage	$V_{CC} = \text{MAX}$, $V_I = 7.0\text{V}$			0.1	mA
I_{IH}	High-level input current	$V_{CC} = \text{MAX}$, $V_I = 2.7\text{V}$			20	μA
I_{IL}	Low-level input current	$V_{CC} = \text{MAX}$, $V_I = 0.4\text{V}$			-0.1	mA
I_O^3	Output current	$V_{CC} = \text{MAX}$, $V_O = 2.25\text{V}$	-30		-112	mA
I_{CC}	Supply current (total)	$V_{CC} = \text{MAX}$		12	22	mA

NOTES:

- For conditions shown as MIN or MAX, use the appropriate value specified under recommended operating conditions for the applicable type.
- All typical values are at $V_{CC} = 5\text{V}$, $T_A = 25^\circ\text{C}$.
- The output conditions have been chosen to produce a current that closely approximates one half of the true short-circuit output current, I_{OS} .

Counter

74ALS191

AC ELECTRICAL CHARACTERISTICS

SYMBOL	PARAMETER	TEST CONDITION	LIMITS		UNIT
			$T_A = 0^\circ\text{C to } +70^\circ\text{C}$		
			$V_{CC} = 5V \pm 10\%$ $C_L = 50\text{pF}$ $R_L = 500\Omega$		
			Min	Max	
f_{MAX}	Maximum clock frequency	Waveform 1	30		MHz
t_{PLH} t_{PHL}	Propagation delay CP to Q_n	Waveform 1	3 3	18 18	ns
t_{PLH} t_{PHL}	Propagation delay CP to TC	Waveform 1	8 8	31 31	ns
t_{PLH} t_{PHL}	Propagation delay CP to RC	Waveform 2	5 5	20 20	ns
t_{PLH} t_{PHL}	Propagation delay CE to RC	Waveform 2	4 4	18 18	ns
t_{PLH} t_{PHL}	Propagation delay U/D to RC	Waveform 2	15 10	37 28	ns
t_{PLH} t_{PHL}	Propagation delay U/D to TC	Waveform 4	8 8	25 25	ns
t_{PLH} t_{PHL}	Propagation delay D_n to Any Output	Waveform 3	4 4	21 21	ns
t_{PLH} t_{PHL}	Propagation delay PL to Any Output	Waveform 5	8 8	30 30	ns

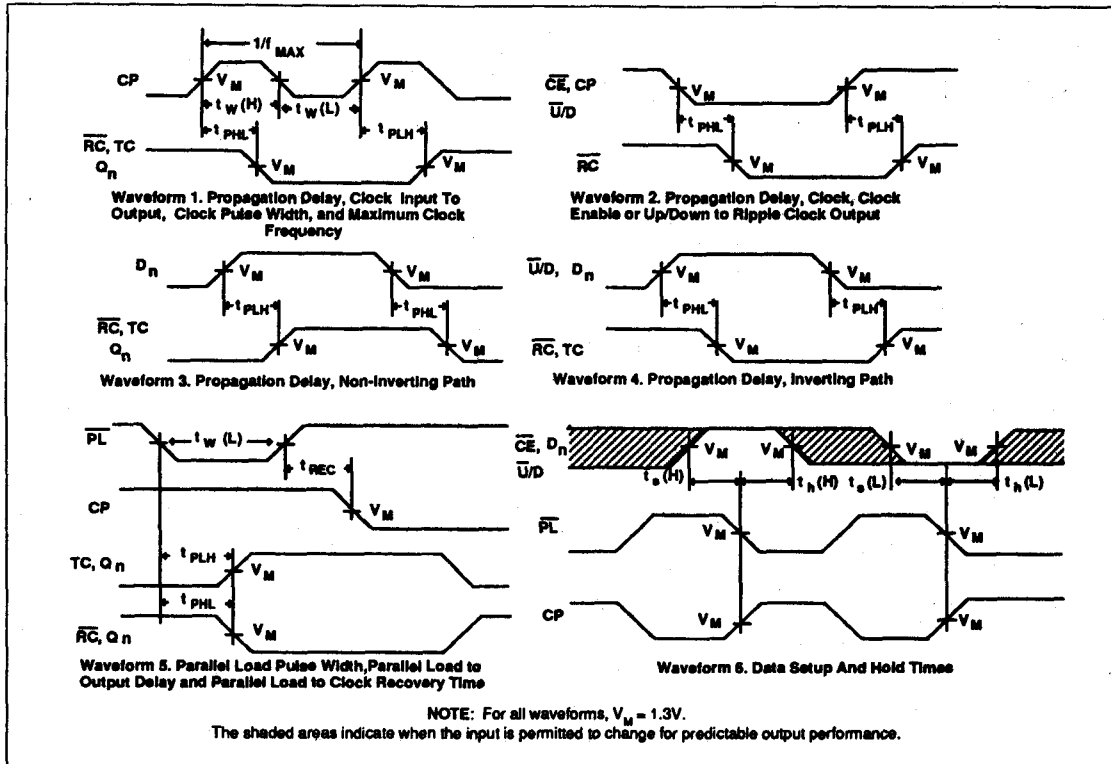
AC SETUP REQUIREMENTS

SYMBOL	PARAMETER	TEST CONDITION	LIMITS		UNIT
			$T_A = 0^\circ\text{C to } +70^\circ\text{C}$		
			$V_{CC} = 5V \pm 10\%$ $C_L = 50\text{pF}$ $R_L = 500\Omega$		
			Min	Max	
$t_s(H)$ $t_s(L)$	Setup time, High or Low D_n to PL	Waveform 6	20 20		ns
$t_h(H)$ $t_h(L)$	Hold time, High or Low D_n to PL	Waveform 6	5 5		ns
$t_s(L)$	Setup time, Low CE to CP	Waveform 6	20		ns
$t_h(L)$	Hold time, Low CE to CP	Waveform 6	0		ns
$t_s(H)$ $t_s(L)$	Setup time, High or Low U/D to CP	Waveform 6	20 20		ns
$t_h(H)$ $t_h(L)$	Hold time, High or Low U/D to CP	Waveform 6	0 0		ns
$t_w(H)$ $t_w(L)$	CP Pulse width, High or Low	Waveform 1	16.5 16.5		ns
$t_w(L)$	PL Pulse width, Low	Waveform 5	20		ns
t_{REC}	Recovery time PL to CP	Waveform 5	20		ns

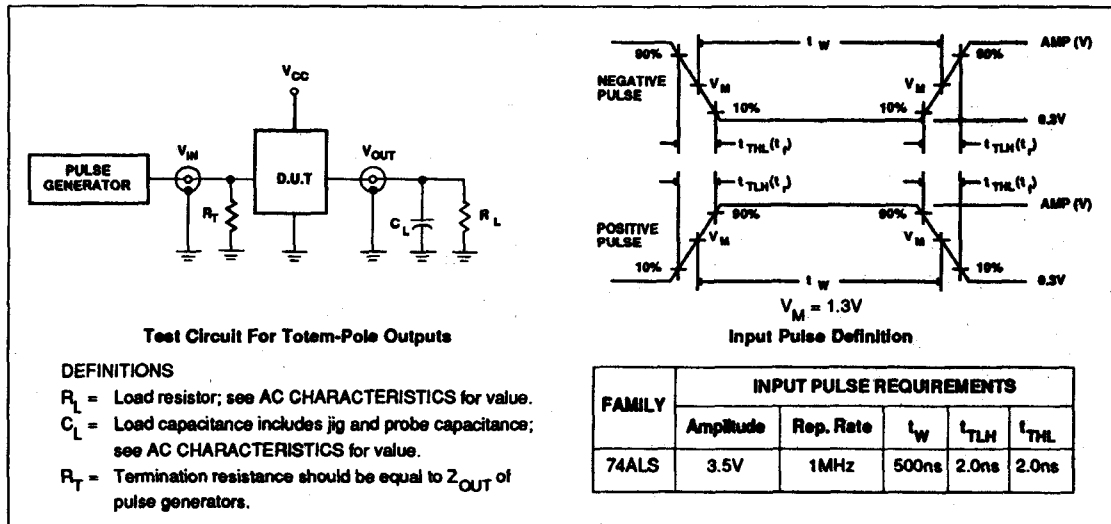
Counter

74ALS191

AC WAVEFORMS



TEST CIRCUIT AND WAVEFORMS



74ALS193 Counter

Synchronous Presettable 4-Bit Binary Counter With Separate Up and Down Clocks
Preliminary Specification

FEATURES

- Synchronous, reversible counting
- Asynchronous parallel load capability
- Cascadable without external logic
- Asynchronous reset (clear)

DESCRIPTION

The 74ALS193 is a presettable 4-bit Binary up/down Counter. Separate up/down clocks, CP_U and CP_D , respectively, simplify operation. The outputs change state synchronously with the Low-to-High transition of either Clock input. If the CP_U clock is pulsed while CP_D is held High, the device will count up...if CP_D is pulsed while CP_U is held High, the device will count down. The device can be cleared at any time by the asynchronous reset pin - it may also be loaded in parallel by activating the asynchronous parallel load pin. Inside the device are four master/slave JK flip-flops with the necessary steering logic to provide asynchronous reset, preset load, and synchronous count up and count down functions. One clock must be held High while counting with the other to avoid either counting by two's or not at all, depending on the state of the first JK flip-flop which cannot toggle as long as either clock input is Low. Applications requiring reversible operation must make the reversing decision while the activating clock is High to avoid erroneous counts. The Terminal Count outputs (TC_U and TC_D) are normally High. When the circuit has reached the maximum count of 15, the next High-to-Low transition of CP_U will cause TC_U

TYPE	TYPICAL f_{MAX}	TYPICAL SUPPLY CURRENT (TOTAL)
74ALS193	40MHz	12mA

ORDERING INFORMATION

PACKAGES	COMMERCIAL RANGE $V_{CC} = 5V \pm 10\%$; $T_A = 0^\circ C$ to $+70^\circ C$
16-Pin Plastic Dip	N74ALS193N
16-Pin Plastic SO	N74ALS193D

INPUT AND OUTPUT LOADING AND FAN-OUT TABLE

PINS	DESCRIPTION	74ALS(U.L.) HIGH/LOW	LOAD VALUE HIGH/LOW
$D_0 - D_3$	Data inputs	1.0/1.0	20 μ A/0.1mA
CP_U	Count up clock (active rising edge)	1.0/1.0	20 μ A/0.1mA
CP_D	Count down clock (active rising edge)	1.0/1.0	20 μ A/0.1mA
\overline{PL}	Asynchronous parallel load control input (active Low)	1.0/1.0	20 μ A/0.1mA
MR	Asynchronous master reset input	1.0/1.0	20 μ A/0.1mA
$Q_0 - Q_3$	Flip-flop outputs	20/80	0.4mA/8mA
TC_U	Terminal count up output (active Low)	20/80	0.4mA/8mA
TC_D	Terminal count down output (active Low)	20/80	0.4mA/8mA

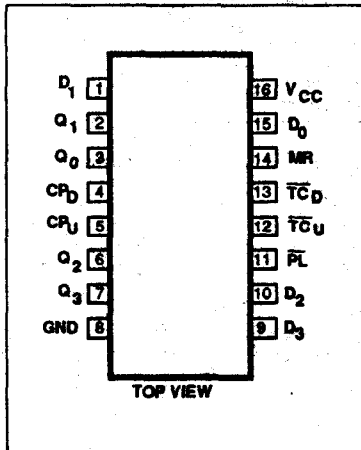
NOTE:

One (1.0) ALS Unit Load is defined as: 20 μ A in the High state and 0.1mA in the Low state.

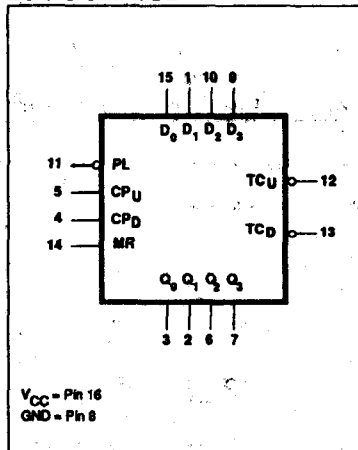
to go Low. TC_U will stay Low until CP_U goes High again. Likewise, the TC_D output will go Low when the circuit is in the zero state and the CP_D goes Low. The TC outputs can be used as a clock signal to the next higher order circuit in a multistage counter, but will be delayed by two-gate delays from the original CP signal. When the asynchronous Parallel Load (\overline{PL}) or

Master Reset (MR) is active it will override the clock inputs, unless the clock is already Low. In that case, the next Low-to-High transition of that clock will be interpreted as a legitimate signal and will be counted.

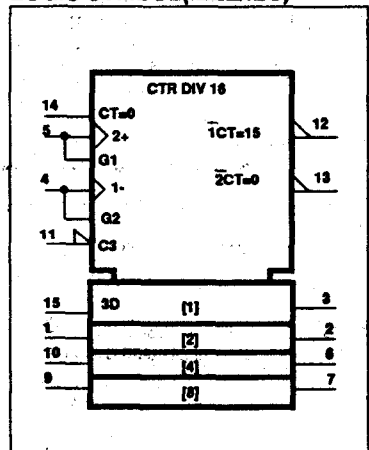
PIN CONFIGURATION



LOGIC SYMBOL



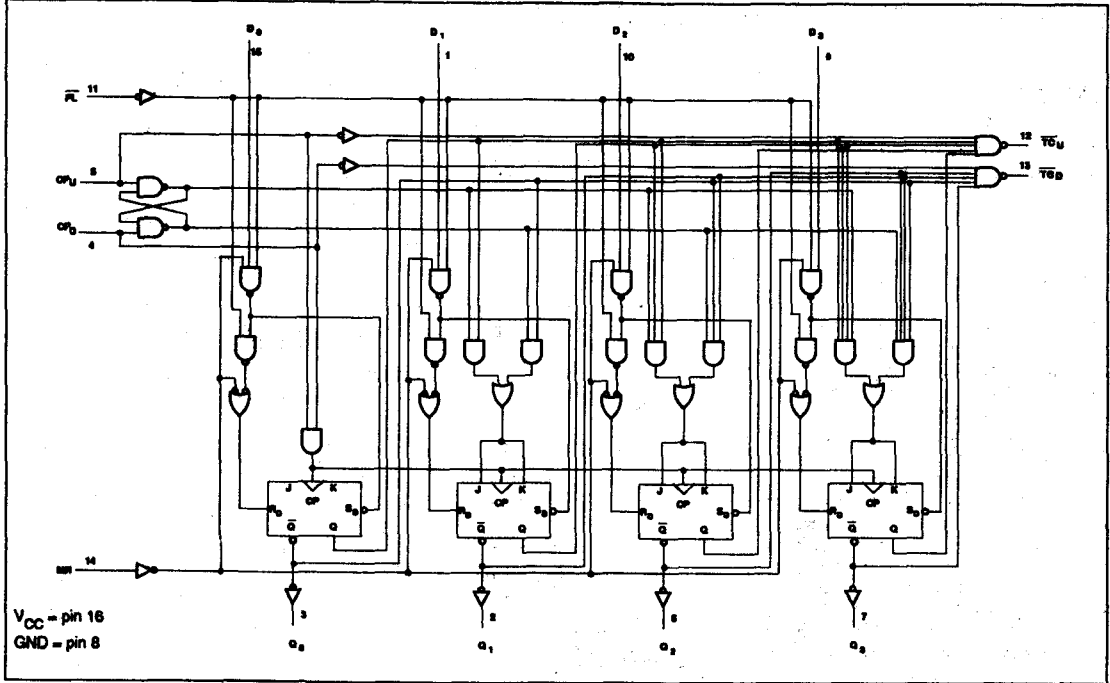
LOGIC SYMBOL (IEEE/IEC)



Counter

74ALS193

LOGIC DIAGRAM



MODE SELECTION TABLE

INPUTS								OUTPUTS					OPERATING MODE		
MR	PL	CP _U	CP _D	D0	D1	D2	D3	Q0	Q1	Q2	Q3	TC _U	TC _D		
H	X	X	L	X	X	X	X	L	L	L	L	H	L	Reset (clear)	
H	X	X	H	X	X	X	X	L	L	L	L	H	H		
L	L	H	L	L	L	L	L	L	L	L	L	H	L	Parallel load	
L	L	X	H	L	L	L	L	L	L	L	L	H	H		
L	L	L	H	H	H	H	H	H	H	H	H	L	H		
L	L	H	X	H	H	H	H	H	H	H	H	L	H		
L	H	↑	H	X	X	X	X	Count up				H ¹	H	Count up	
L	H	H	↑	X	X	X	X	Count down				H	H ²	Count down	

- H = High voltage level
- h = High voltage level one set-up time prior to the Low-to-High clock transition
- L = Low voltage level
- l = Low voltage level one set-up time prior to the Low-to-High clock transition
- X = Don't care
- ↑ = Low-to-High clock transition

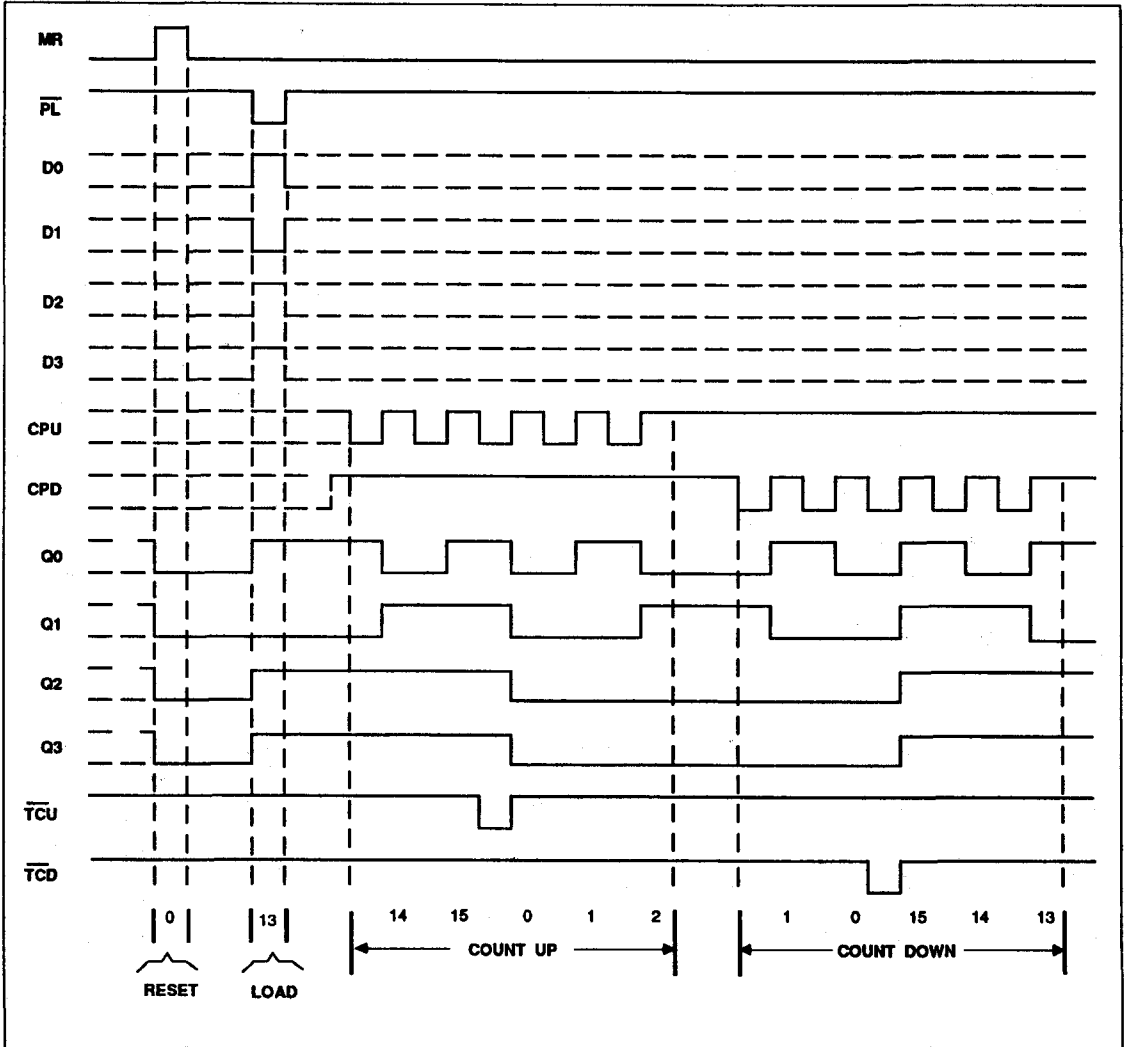
NOTES:

1. TC_U - CP_U at terminal count up (HHHH).
2. TC_D - CP_D at terminal count down (LLLL).

Counter

74ALS193

FUNCTIONAL WAVEFORMS (Typical reset, load, and count sequences)



Counter

74ALS193

ABSOLUTE MAXIMUM RATINGS (Operation beyond the limits set forth in this table may impair the useful life of the device. Unless otherwise noted these limits are over the operating free-air temperature range.)

SYMBOL	PARAMETER	RATING	UNIT
V_{CC}	Supply voltage	-0.5 to +7.0	V
V_{IN}	Input voltage	-0.5 to +7.0	V
I_{IN}	Input current	-30 to +5	mA
V_{OUT}	Voltage applied to output in High output state	-0.5 to $+V_{CC}$	V
I_{OUT}	Current applied to output in Low output state	16	mA
T_A	Operating free-air temperature range	0 to +70	°C
T_{STG}	Storage temperature	-65 to +150	°C

RECOMMENDED OPERATING CONDITIONS

SYMBOL	PARAMETER	LIMITS			UNIT
		Min	Nom	Max	
V_{CC}	Supply voltage	4.5	5.0	5.5	V
V_{IH}	High-level input voltage	2.0			V
V_{IL}	Low-level input voltage			0.8	V
I_{IK}	Input clamp current			-18	mA
I_{OH}	High-level output current			-0.4	mA
I_{OL}	Low-level output current			8	mA
T_A	Operating free-air temperature range	0		70	°C

DC ELECTRICAL CHARACTERISTICS (Over recommended operating free-air temperature range unless otherwise noted.)

SYMBOL	PARAMETER	TEST CONDITIONS ¹	LIMITS			UNIT
			Min	Typ ²	Max	
V_{OH}	High-level output voltage	$V_{CC} \pm 10\%$, $V_{IL} = \text{MAX}$, $V_{IH} = \text{MIN}$, $I_{OH} = -0.4\text{mA}$	$V_{CC} - 2$			V
V_{OL}	Low-level output voltage	$V_{CC} = \text{MIN}$, $V_{IL} = \text{MAX}$, $V_{IH} = \text{MIN}$	$I_{OL} = 4\text{mA}$	0.25	0.4	V
			$I_{OL} = 8\text{mA}$	0.35	0.5	V
V_{IK}	Input clamp voltage	$V_{CC} = \text{MIN}$, $I_I = I_{IK}$		-0.73	-1.5	V
I_I	Input current at maximum input voltage	$V_{CC} = \text{MAX}$, $V_I = 7.0\text{V}$			0.1	mA
I_{IH}	High-level input current	$V_{CC} = \text{MAX}$, $V_I = 2.7\text{V}$			20	μA
I_{IL}	Low-level input current	$V_{CC} = \text{MAX}$, $V_I = 0.4\text{V}$			-0.1	mA
I_O^3	Output current	$V_{CC} = \text{MAX}$, $V_O = 2.25\text{V}$	-30		-112	mA
I_{CC}	Supply current (total)	$V_{CC} = \text{MAX}$		12	22	mA

NOTES:

- For conditions shown as MIN or MAX, use the appropriate value specified under recommended operating conditions for the applicable type.
- All typical values are at $V_{CC} = 5\text{V}$, $T_A = 25^\circ\text{C}$.
- The output conditions have been chosen to produce a current that closely approximates one half of the true short-circuit output current, I_{OS} .

Counter

74ALS193

AC ELECTRICAL CHARACTERISTICS

SYMBOL	PARAMETER	TEST CONDITION	LIMITS		UNIT
			$T_A = 0^\circ\text{C to } +70^\circ\text{C}$		
			$V_{CC} = 5V \pm 10\%$ $C_L = 50\text{pF}$ $R_L = 500\Omega$		
Min	Max				
t_{MAX}	Maximum clock frequency	Waveform 1	30		MHz
t_{PLH} t_{PHL}	Propagation delay CP_U or CP_D to Q_n	Waveform 1	4 4	19 17	ns
t_{PLH} t_{PHL}	Propagation delay CP_U to TC_U or CP_D to TC_D	Waveform 2	4 5	16 18	ns
t_{PLH} t_{PHL}	Propagation delay PL to Q_n	Waveform 4	8 8	30 28	ns
t_{PLH} t_{PHL}	Propagation delay PL to TC_U or TC_D	Waveform 4	8 8	30 28	ns
t_{PLH} t_{PHL}	Propagation delay D_n to Q_n	Waveform 3	8 8	30 28	ns
t_{PLH} t_{PHL}	Propagation delay D_n to TC_U or TC_D	Waveform 3	8 8	30 28	ns
t_{PHL}	Propagation delay MR to Q_n	Waveform 4	5 5	17 17	ns
t_{PLH} t_{PHL}	Propagation delay MR to TC_U or TC_D	Waveform 4	8 8	30 28	ns

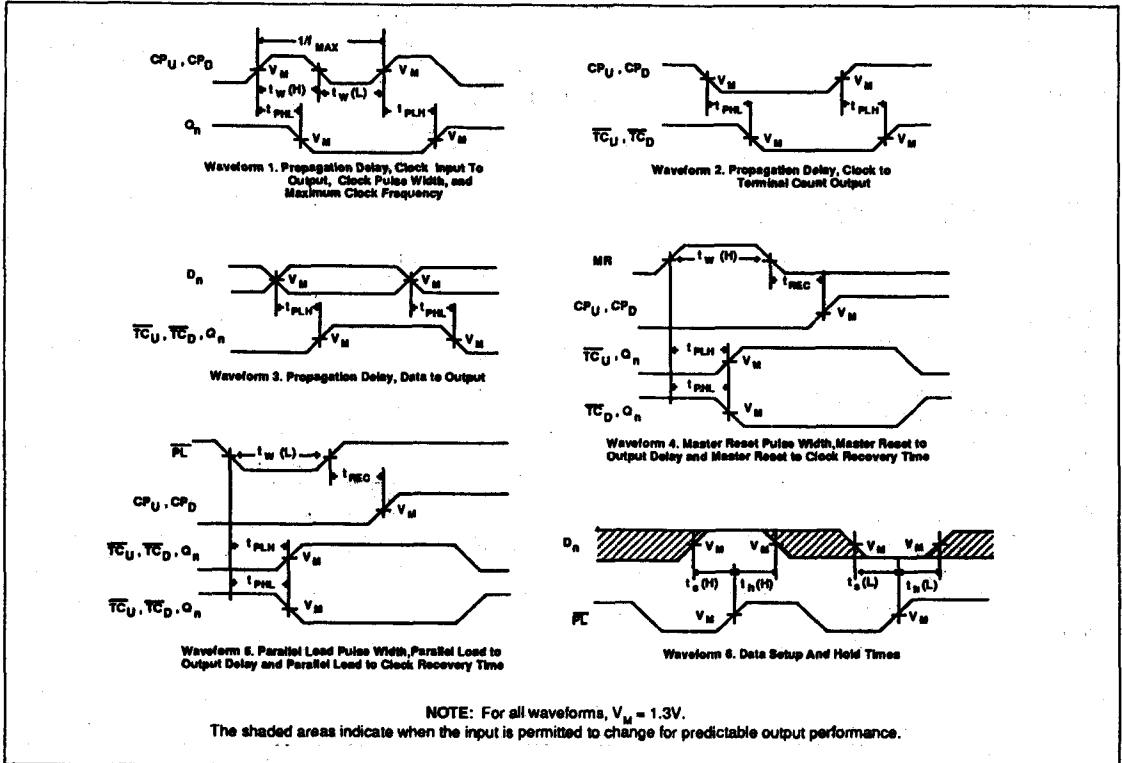
AC SETUP REQUIREMENTS

SYMBOL	PARAMETER	TEST CONDITION	LIMITS		UNIT
			$T_A = 0^\circ\text{C to } +70^\circ\text{C}$		
			$V_{CC} = 5V \pm 10\%$ $C_L = 50\text{pF}$ $R_L = 500\Omega$		
Min	Max				
$t_s(H)$ $t_s(L)$	Setup time, High or Low D_n to PL	Waveform 6	20 20		ns
$t_h(H)$ $t_h(L)$	Hold time, High or Low D_n to PL	Waveform 6	5 5		ns
$t_w(H)$ $t_w(L)$	CP_U or CP_D Pulse width, High or Low	Waveform 1	16.5 16.5		ns
$t_w(L)$	CP_U or CP_D Pulse width Low (change of direction)	Waveform 1	20		ns
$t_w(L)$	PL Pulse width, Low	Waveform 5	20		ns
$t_w(H)$	MR Pulse width, High	Waveform 4	10		ns
t_{REC}	Recovery time PL to CP_U or CP_D	Waveform 5	20		ns
t_{REC}	Recovery time MR to CP_U or CP_D	Waveform 4	20		ns

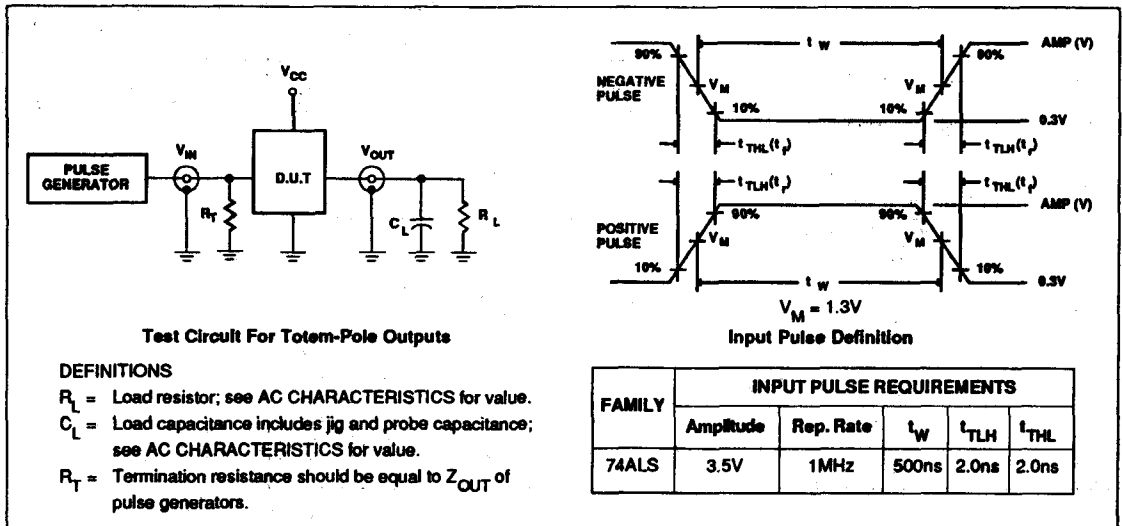
Counter

74ALS193

AC WAVEFORMS



TEST CIRCUIT AND WAVEFORMS



74ALS240A, 74ALS240A-1

Buffer

Octal Inverter Buffer (3-State)

Product Specification

FEATURES

- Octal bus interface
- 3-State buffer outputs sink 24mA and source 15mA
- The -1 version sinks 48mA I_{OL} within the $\pm 5\% V_{CC}$ range

DESCRIPTION

The 74ALS240A is an octal buffer that is ideal for driving bus lines or buffer memory address registers. The outputs are all capable of sinking 24mA and sourcing up to 15mA, producing very good capacitive drive characteristics. The device features two Output Enables, \overline{OE}_a and \overline{OE}_b , each controlling four of the 3-state outputs. The 74ALS240A-1 sinks 48mA if the V_{CC} is limited to $5.0V \pm 0.25V$.

TYPE	TYPICAL PROPAGATION DELAY	TYPICAL SUPPLY CURRENT (TOTAL)
74ALS240A	4.5ns	15mA
74ALS240A-1	4.5ns	15mA

ORDERING INFORMATION

PACKAGES	COMMERCIAL RANGE $V_{CC} = 5V \pm 10\%$; $T_A = 0^\circ C$ to $+70^\circ C$
20-Pin Plastic DIP	74ALS240AN, 74ALS240A-1N
20-Pin Plastic SOL	74ALS240AD, 74ALS240A-1D

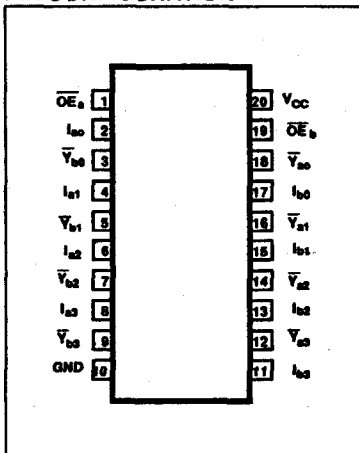
INPUT AND OUTPUT LOADING AND FAN-OUT TABLE

PINS	DESCRIPTION	74F(U.L.) HIGH/LOW	LOAD VALUE HIGH/LOW
I_{an}, I_{bn}	Data inputs	1.0/1.0	20 μ A/0.1mA
$\overline{OE}_a, \overline{OE}_b$	Output enable inputs (active Low)	1.0/1.0	20 μ A/0.1mA
$\overline{V}_{an}, \overline{V}_{bn}$	Data outputs	750/240	15mA/24mA
$\overline{V}_{an}, \overline{V}_{bn}$	Data outputs (-1 version)	750/480	15mA/48mA

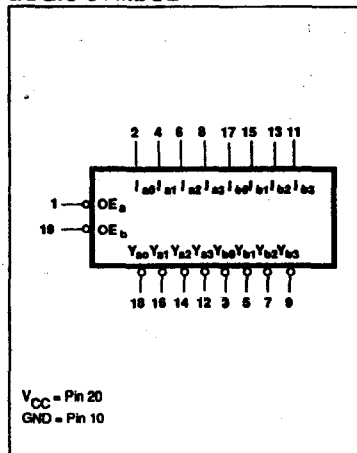
NOTE:

One (1.0) ALS Unit Load is defined as: 20 μ A in the High state and 0.1mA in the Low state.

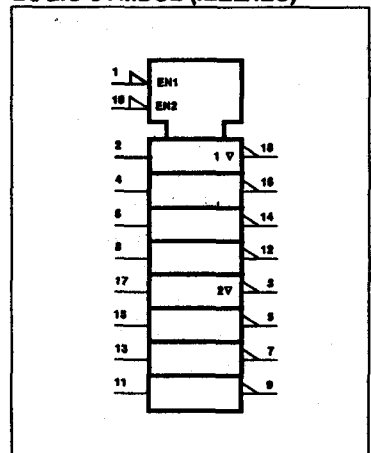
PIN CONFIGURATION



LOGIC SYMBOL



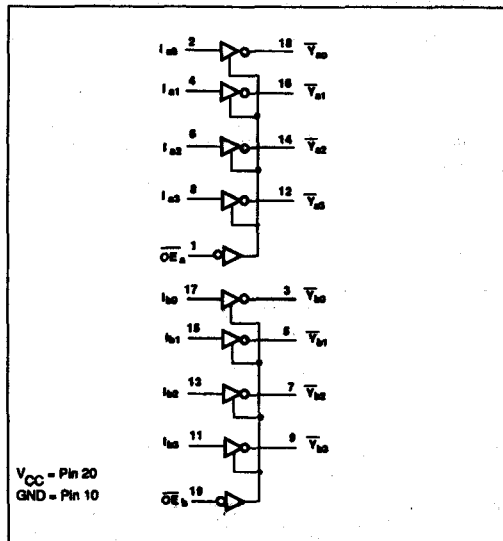
LOGIC SYMBOL (IEEE/IEC)



Buffer

74ALS240A, 74ALS240A-1

LOGIC DIAGRAM



FUNCTION TABLE

INPUTS				OUTPUTS	
\overline{OE}_a	I_a	\overline{OE}_b	I_b	\overline{V}_a	\overline{V}_b
L	L	L	L	H	H
L	H	L	H	L	L
H	X	H	X	Z	Z

- H = High voltage level
- L = Low voltage level
- X = Don't care
- Z = High impedance "off" state

ABSOLUTE MAXIMUM RATINGS (Operation beyond the limits set forth in this table may impair the useful life of the device. Unless otherwise noted these limits are over the operating free-air temperature range.)

SYMBOL	PARAMETER		RATING	UNIT
V_{CC}	Supply voltage		-0.5 to +7.0	V
V_{IN}	Input voltage		-0.5 to +7.0	V
I_{IN}	Input current		-30 to +5	mA
V_{OUT}	Voltage applied to output in High output state		-0.5 to + V_{CC}	V
I_{OUT}	Current applied to output in Low output state	All versions	48	mA
I_{OUT}	Current applied to output in Low output state	-1 version only	96	mA
T_A	Operating free-air temperature range		0 to +70	°C
T_{STG}	Storage temperature		-65 to +150	°C

RECOMMENDED OPERATING CONDITIONS

SYMBOL	PARAMETER	LIMITS			UNIT
		Min	Nom	Max	
V_{CC}	Supply voltage	4.5	5.0	5.5	V
V_{IH}	High-level input voltage	2.0			V
V_{IL}	Low-level input voltage			0.8	V
I_{IK}	Input clamp current			-18	mA
I_{OH}	High-level output current			-15	mA
I_{OL}	Low-level output current		All versions	24	mA
I_{OL}	Low-level output current		-1 version only	48 ¹	mA
T_A	Operating free-air temperature range	0		70	°C

NOTE:

1. The 48mA limit applies only under the condition of $V_{CC} = 5.0V \pm 5\%$.

Buffer

74ALS240A, 74ALS240A-1

DC ELECTRICAL CHARACTERISTICS (Over recommended operating free-air temperature range unless otherwise noted.)

SYMBOL	PARAMETER		TEST CONDITIONS ¹			LIMITS			UNIT
						Min	Typ ²	Max	
V_{OH}	High-level output voltage		$V_{CC} \pm 10\%$	$V_{IL} = \text{MAX}$ $V_{IH} = \text{MIN}$	$I_{OH} = -0.4\text{mA}$	$V_{CC} - 2$			V
					$I_{OH} = -3\text{mA}$		2.4	3.2	V
			$I_{OH} = -15\text{mA}$		2.0		V		
V_{OL}	Low-level output voltage	All versions	$V_{CC} = \text{MIN}$	$V_{IL} = \text{MAX}$ $V_{IH} = \text{MIN}$	$I_{OL} = 12\text{mA}$		0.25	0.4	V
		-1 version			$V_{CC} = 4.75\text{V}$	$I_{OL} = 24\text{mA}$		0.35	0.5
			$I_{OL} = 48\text{mA}$				0.35	0.5	V
V_{IK}	Input clamp voltage		$V_{CC} = \text{MIN}, I_I = I_{IK}$				-0.73	-1.5	V
I_I	Input current at maximum input voltage		$V_{CC} = \text{MAX}, V_I = 7.0\text{V}$					0.1	mA
I_{IH}	High-level input current		$V_{CC} = \text{MAX}, V_I = 2.7\text{V}$					20	μA
I_{IL}	Low-level input current		$V_{CC} = \text{MAX}, V_I = 0.4\text{V}$					-0.1	mA
I_{OZH}	Off-state output current High-level voltage applied		$V_{CC} = \text{MAX}, V_O = 2.7\text{V}$					20	μA
I_{OZL}	Off-state output current Low-level voltage applied		$V_{CC} = \text{MAX}, V_O = 0.4\text{V}$					-20	μA
I_O	Short-circuit output current ³		$V_{CC} = \text{MAX}, V_O = 2.25\text{V}$			-30		-112	mA
I_{CC}	Supply current (total)		$V_{CC} = \text{MAX}$	I_{CCH}		2.5	11	mA	
				I_{CCL}		19.5	23	mA	
				I_{CCZ}		23	30	mA	

NOTES:

- For conditions shown as MIN or MAX, use the appropriate value specified under recommended operating conditions for the applicable type.
- All typical values are at $V_{CC} = 5\text{V}, T_A = 25^\circ\text{C}$.
- The output conditions have been chosen to produce current that closely approximates one half of the true short-circuit output current, I_{OC} .

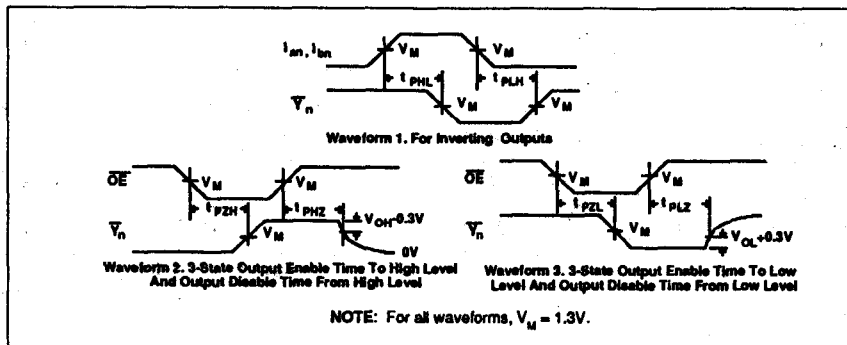
Buffer

74ALS240A, 74ALS240A-1

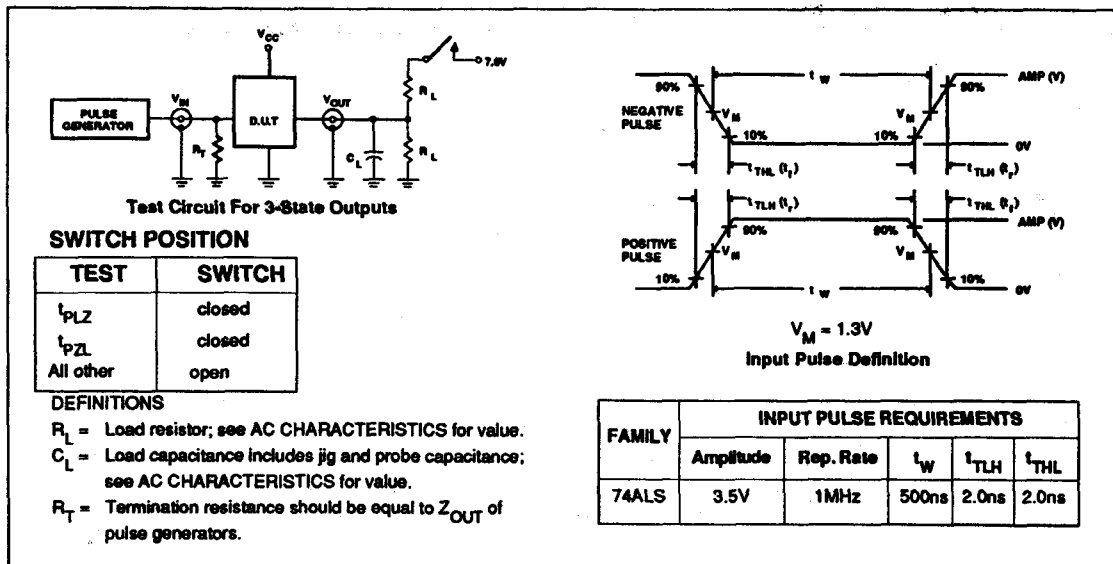
AC ELECTRICAL CHARACTERISTICS

SYMBOL	PARAMETER	TEST CONDITION	LIMITS		UNIT
			$T_A = 0^{\circ}\text{C to } +70^{\circ}\text{C}$		
			$V_{CC} = 5\text{V} \pm 10\%$ $C_L = 50\text{pF}$ $R_L = 500\Omega$		
Min	Max				
t_{PLH} t_{PHL}	Propagation delay I_n to V_n	Waveform 1	2.0 2.0	9.0 9.0	ns ns
t_{PZH} t_{PZL}	Output Enable time to High or Low level	Waveform 2 Waveform 3	2.0 3.0	10.0 12.0	ns ns
t_{PHZ} t_{PLZ}	Output Disable time to High or Low level	Waveform 2 Waveform 3	2.0 3.0	10.0 12.0	ns ns

AC WAVEFORMS



TEST CIRCUIT AND WAVEFORMS



74ALS241A, 74ALS241A-1

Buffer

Octal Buffer (3-State)
Product Specification

FEATURES

- Octal bus interface
- 3-State buffer outputs sink 24mA and source 15mA
- The -1 version sinks 48mA I_{OL} within the $\pm 5\%$ V_{CC} range

DESCRIPTION

The 74ALS241A is an octal buffer that is ideal for driving bus lines or buffer memory address registers. The outputs are all capable of sinking 24mA and sourcing up to 15mA, producing very good capacitive drive characteristics. The device features two Output Enables, \overline{OE}_a and OE_b , each controlling four of the 3-state outputs. The 74ALS241A-1 sinks 48mA if the V_{CC} is limited to $5.0V \pm 0.25V$.

TYPE	TYPICAL PROPAGATION DELAY	TYPICAL SUPPLY CURRENT (TOTAL)
74ALS241A	4.5ns	18mA
74ALS241A-1	4.5ns	18mA

ORDERING INFORMATION

PACKAGES	COMMERCIAL RANGE $V_{CC} = 5V \pm 10\%$; $T_A = 0^\circ C$ to $+70^\circ C$
20-Pin Plastic DIP	74ALS241AN, 74ALS241A-1N
20-Pin Plastic SOL	74ALS241AD, 74ALS241A-1D

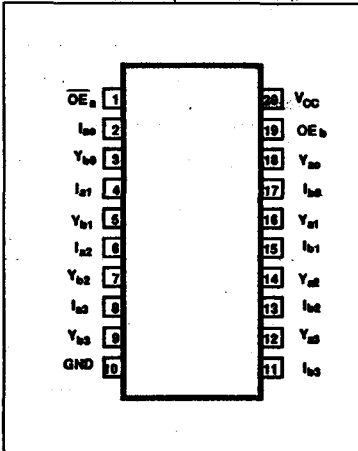
INPUT AND OUTPUT LOADING AND FAN-OUT TABLE

PINS	DESCRIPTION	74ALS(U.L.) HIGH/LOW	LOAD VALUE HIGH/LOW
I_{an}, I_{bn}	Data inputs	1.0/1.0	20 μ A/0.1mA
\overline{OE}_a, OE_b	Output enable inputs (active Low)	1.0/1.0	20 μ A/0.1mA
Y_{an}, Y_{bn}	Data outputs	750/240	15mA/24mA
Y_{an}, Y_{bn}	Data outputs (-1 version)	750/480	15mA/48mA

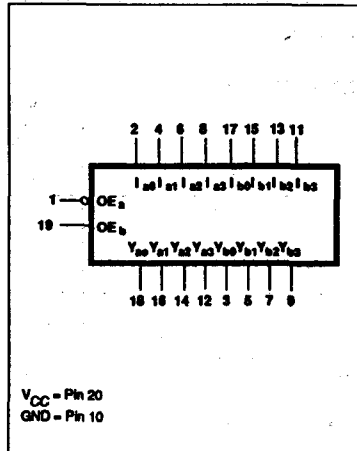
NOTE:

One (1.0) ALS Unit Load is defined as: 20 μ A in the High state and 0.1mA in the Low state.

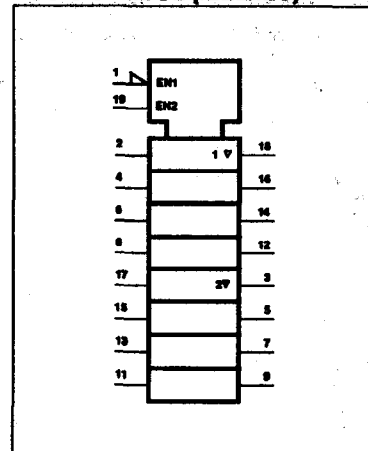
PIN CONFIGURATION



LOGIC SYMBOL



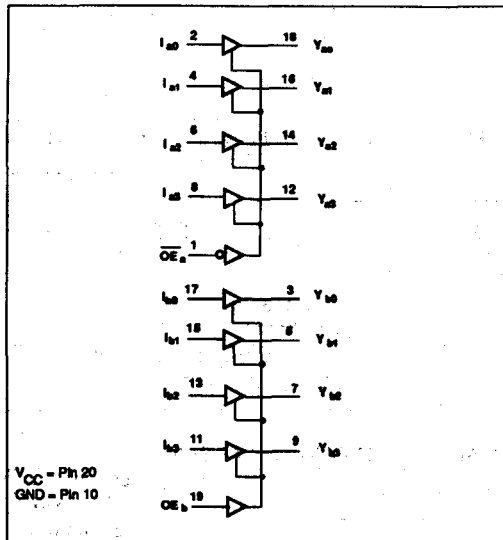
LOGIC SYMBOL (IEEE/IEC)



Buffer

74ALS241A, 74ALS241A-1

LOGIC DIAGRAM



FUNCTION TABLE

INPUTS				OUTPUTS	
OE_a	I_a	OE_b	I_b	Y_a	Y_b
L	L	H	L	L	L
L	H	H	H	H	H
H	X	L	X	Z	Z

H = High voltage level
L = Low voltage level
X = Don't care
Z = High impedance "off" state

ABSOLUTE MAXIMUM RATINGS (Operation beyond the limits set forth in this table may impair the useful life of the device. Unless otherwise noted these limits are over the operating free-air temperature range.)

SYMBOL	PARAMETER	RATING	UNIT
V_{CC}	Supply voltage	-0.5 to +7.0	V
V_{IN}	Input voltage	-0.5 to +7.0	V
I_{IN}	Input current	-30 to +5	mA
V_{OUT}	Voltage applied to output in High output state	-0.5 to + V_{CC}	V
I_{OUT}	Current applied to output in Low output state	All versions 48	mA
I_{OUT}	Current applied to output in Low output state	-1 version only 96	mA
T_A	Operating free-air temperature range	0 to +70	°C
T_{STG}	Storage temperature	-65 to +150	°C

RECOMMENDED OPERATING CONDITIONS

SYMBOL	PARAMETER	LIMITS			UNIT
		Min	Nom	Max	
V_{CC}	Supply voltage	4.5	5.0	5.5	V
V_{HI}	High-level input voltage	2.0			V
V_{LI}	Low-level input voltage			0.8	V
I_{IK}	Input clamp current			-18	mA
I_{OH}	High-level output current			-15	mA
I_{OL}	Low-level output current	All versions		24	mA
I_{OL}	Low-level output current	-1 version only		48	mA
T_A	Operating free-air temperature range	0		70	°C

NOTES:

1. The 48mA limit applies only under the condition of $V_{CC} = 5.0V \pm 5\%$.

Buffer

74ALS241A, 74ALS241A-1

DC ELECTRICAL CHARACTERISTICS (Over recommended operating free-air temperature range unless otherwise noted.)

SYMBOL	PARAMETER		TEST CONDITIONS ¹			LIMITS			UNIT
						Min	Typ ²	Max	
V_{OH}	High-level output voltage		$V_{CC} \pm 10\%$	$V_{IL} = \text{MAX}$ $V_{IH} = \text{MIN}$	$I_{OH} = -0.4\text{mA}$	$V_{CC} - 2$			V
			$V_{CC} = \text{MIN}$		$I_{OH} = -3\text{mA}$	2.4	3.2		V
					$I_{OH} = -15\text{mA}$	2.0			V
V_{OL}	Low-level output voltage	All versions	$V_{CC} = \text{MIN}$	$V_{IL} = \text{MAX}$ $V_{IH} = \text{MIN}$	$I_{OL} = 12\text{mA}$		0.25	0.4	V
					$I_{OL} = 24\text{mA}$		0.35	0.5	V
	-1 version	$V_{CC} = 4.75\text{V}$			$I_{OL} = 48\text{mA}$		0.35	0.5	V
V_{IK}	Input clamp voltage		$V_{CC} = \text{MIN}; I_I = I_{IK}$				-0.73	-1.5	V
I_I	Input current at maximum input voltage		$V_{CC} = \text{MAX}; V_I = 7.0\text{V}$					0.1	mA
I_{IH}	High-level input current		$V_{CC} = \text{MAX}; V_I = 2.7\text{V}$					20	μA
I_{IL}	Low-level input current		$V_{CC} = \text{MAX}; V_I = 0.4\text{V}$					-0.1	mA
I_{OZH}	Off-state current High level voltage applied		$V_{CC} = \text{MAX}; V_O = 2.7\text{V}$					20	μA
I_{OZL}	Off-state current Low-level voltage applied		$V_{CC} = \text{MAX}; V_O = 0.4\text{V}$					-20	μA
I_O	Short-circuit output current ³		$V_{CC} = \text{MAX}; V_O = 2.25\text{V}$			-30		-112	mA
I_{CC}	Supply current (total)		$V_{CC} = \text{MAX}$	I_{CCH}		7	15	mA	
				I_{CCL}		21	26	mA	
				I_{CCZ}		25	30	mA	

NOTES:

- For conditions shown as MIN or MAX, use the appropriate value specified under recommended operating conditions for the applicable type.
- All typical values are at $V_{CC} = 5\text{V}$, $T_A = 25^\circ\text{C}$.
- The output conditions have been chosen to produce current that closely approximates one half of the true short-circuit output current, I_{OS} .

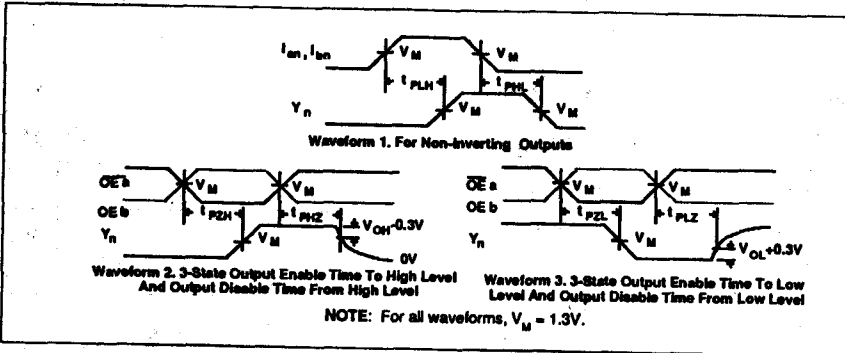
Buffer

74ALS241A, 74ALS241A-1

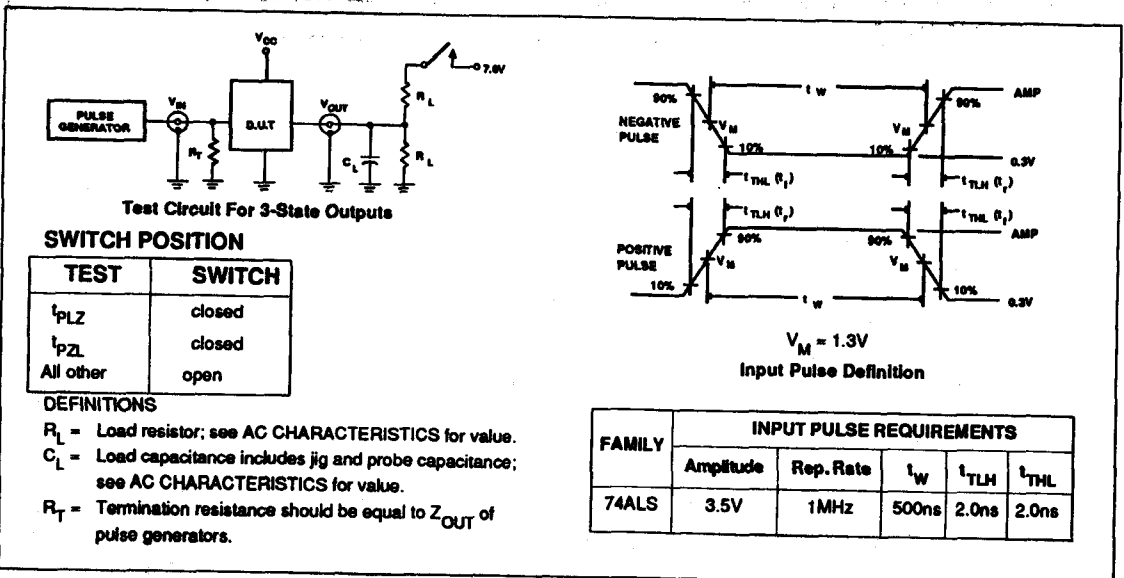
AC ELECTRICAL CHARACTERISTICS

SYMBOL	PARAMETER	TEST CONDITION	LIMITS		UNIT
			$T_A = 0^\circ\text{C to } +70^\circ\text{C}$ $V_{CC} = 5V \pm 10\%$ $C_L = 50\text{pF}$ $R_L = 500\Omega$		
			Min	Max	
t_{PLH} t_{PHL}	Propagation delay I_n to Y_n	Waveform 1	1.5	10.0	ns
t_{PZH} t_{PZL}	Output Enable time to High or Low level	Waveform 2 Waveform 3	1.0 2.5	10.0 12.0	ns
t_{PHZ} t_{PLZ}	Output Disable time to High or Low level	Waveform 2 Waveform 3	1.0 2.5	10.0 12.0	ns

AC WAVEFORMS



TEST CIRCUIT AND WAVEFORMS



74ALS244A, 74ALS244A-1

Buffer

Octal Buffer (3-State)
Product Specification

FEATURES

- Octal bus interface
- 3-State buffer outputs sink 24mA and source 15mA
- The -1 version sinks 48mA I_{OL} within the $\pm 5\% V_{CC}$ range

DESCRIPTION

The 74ALS244A is an octal buffer that is ideal for driving bus lines or buffer memory address registers. The outputs are all capable of sinking 24mA and sourcing up to 15mA, producing very good capacitive drive characteristics. The device features two Output Enables, \overline{OE}_a and \overline{OE}_b , each controlling four of the 3-state outputs. The 74ALS244A-1 sinks 48mA if the V_{CC} is limited to $5.0V \pm 0.25V$.

TYPE	TYPICAL PROPAGATION DELAY	TYPICAL SUPPLY CURRENT (TOTAL)
74ALS244A	4.5ns	17mA
74ALS244A-1	4.5ns	17mA

ORDERING INFORMATION

PACKAGES	COMMERCIAL RANGE $V_{CC} = 5V \pm 10\%$; $T_A = 0^\circ C$ to $+70^\circ C$
20-Pin Plastic DIP	74ALS244AN, 74ALS244A-1N
20-Pin Plastic SOL	74ALS244AD, 74ALS244A-1D

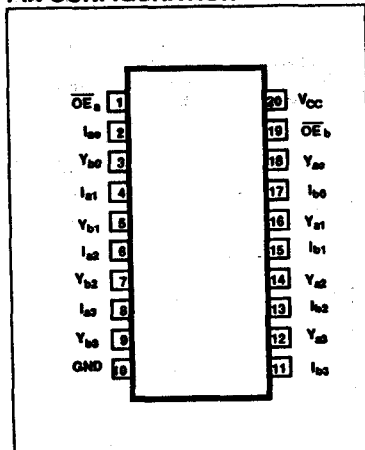
INPUT AND OUTPUT LOADING AND FAN-OUT TABLE

PINS	DESCRIPTION	74F(U.L.) HIGH/LOW	LOAD VALUE HIGH/LOW
I_{an}, I_{bn}	Data inputs	1.0/1.0	20 μ A/0.1mA
$\overline{OE}_a, \overline{OE}_b$	Output enable inputs (active Low)	1.0/1.0	20 μ A/0.1mA
Y_{an}, Y_{bn}	Data outputs	750/240	15mA/24mA
Y_{an}, Y_{bn}	Data outputs (-1 version)	750/480	15mA/48mA

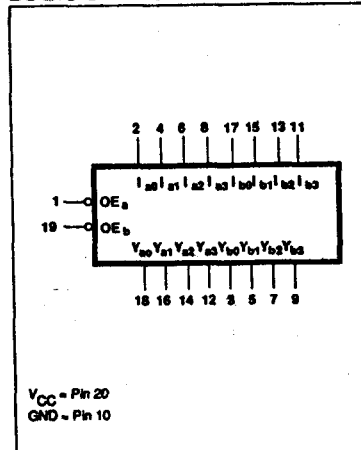
NOTE:

One (1.0) ALS Unit Load is defined as: 20 μ A in the High state and 0.1mA in the Low state.

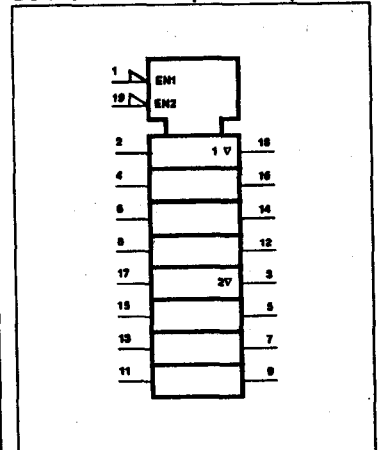
PIN CONFIGURATION



LOGIC SYMBOL



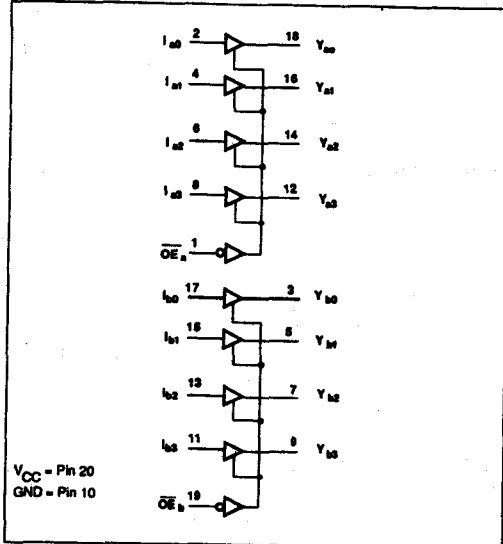
LOGIC SYMBOL (IEEE/IEC)



Buffer

74ALS244A, 74ALS244A-1

LOGIC DIAGRAM



FUNCTION TABLE

INPUTS				OUTPUTS	
OE _a	I _a	OE _b	I _b	Y _a	Y _b
L	L	L	L	L	L
L	H	L	H	H	H
H	X	H	X	Z	Z

- H = High voltage level
- L = Low voltage level
- X = Don't care
- Z = High impedance "off" state

ABSOLUTE MAXIMUM RATINGS (Operation beyond the limits set forth in this table may impair the useful life of the device. Unless otherwise noted these limits are over the operating free-air temperature range.)

SYMBOL	PARAMETER	RATING	UNIT
V _{CC}	Supply voltage	-0.5 to +7.0	V
V _{IN}	Input voltage	-0.5 to +7.0	V
I _{IN}	Input current	-30 to +5	mA
V _{OUT}	Voltage applied to output in High output state	-0.5 to +V _{CC}	V
I _{OUT}	Current applied to output in Low output state	All versions 48	mA
I _{OUT}	Current applied to output in Low output state	-1 version only 96	mA
T _A	Operating free-air temperature range	0 to +70	°C
T _{STG}	Storage temperature	-65 to +150	°C

RECOMMENDED OPERATING CONDITIONS

SYMBOL	PARAMETER	LIMITS			UNIT
		Min	Nom	Max	
V _{CC}	Supply voltage	4.5	5.0	5.5	V
V _{HI}	High-level input voltage	2.0			V
V _{LI}	Low-level input voltage			0.8	V
I _{IK}	Input clamp current			-18	mA
I _{OH}	High-level output current			-15	mA
I _{OL}	Low-level output current	All versions		24	mA
I _{OL}	Low-level output current	-1 version only		48 ¹	mA
T _A	Operating free-air temperature range	0		70	°C

NOTES:

1. The 48mA limit applies only under the condition of V_{CC} = 5.0V ± 5%.

Buffer

74ALS244A, 74ALS244A-1

DC ELECTRICAL CHARACTERISTICS (Over recommended operating free-air temperature range unless otherwise noted.)

SYMBOL	PARAMETER		TEST CONDITIONS ¹			LIMITS			UNIT
						Min	Typ ²	Max	
V_{OH}	High-level output voltage		$V_{CC} \pm 10\%$	$V_{IL} = \text{MAX}$ $V_{IH} = \text{MIN}$	$I_{OH} = -0.4\text{mA}$	$V_{CC} - 2$			V
			$V_{CC} = \text{MIN}$		$I_{OH} = -3\text{mA}$	2.4	3.2		V
					$I_{OH} = -15\text{mA}$	2.0			V
V_{OL}	Low-level output voltage	All versions	$V_{CC} = \text{MIN}$	$V_{IL} = \text{MAX}$ $V_{IH} = \text{MIN}$	$I_{OL} = 12\text{mA}$		0.25	0.4	V
		-1 version			$V_{CC} = 4.75\text{V}$	$I_{OL} = 24\text{mA}$		0.35	0.5
							$I_{OL} = 48\text{mA}$		0.35
V_{IK}	Input clamp voltage		$V_{CC} = \text{MIN}, I_I = I_{IK}$				-0.73	-1.5	V
I_I	Input current at maximum input voltage		$V_{CC} = \text{MAX}, V_I = 7.0\text{V}$					0.1	mA
I_{IH}	High-level input current		$V_{CC} = \text{MAX}, V_I = 2.7\text{V}$					20	μA
I_{IL}	Low-level input current		$V_{CC} = \text{MAX}, V_I = 0.4\text{V}$					-0.1	mA
I_{OZH}	Off state output current High-level voltage applied		$V_{CC} = \text{MAX}, V_I = 2.7\text{V}$					20	μA
I_{OZL}	Off-state output current Low-level voltage applied		$V_{CC} = \text{MAX}, V_I = 0.4\text{V}$					-20	μA
I_O	Short circuit current ³		$V_{CC} = \text{MAX}, V_O = 2.25\text{V}$			-30		-112	mA
I_{CC}	Supply current (total)		$V_{CC} = \text{MAX}$	I_{CCH}		6.5	15		mA
				I_{CCL}		19.5	24		mA
				I_{CCZ}		25	30		mA

NOTES:

- For conditions shown as MIN or MAX, use the appropriate value specified under recommended operating conditions for the applicable type.
- All typical values are at $V_{CC} = 5\text{V}$, $T_A = 25^\circ\text{C}$.
- The output conditions have been chosen to produce current that closely approximates one half of the true short-circuit output current, I_{OS} .

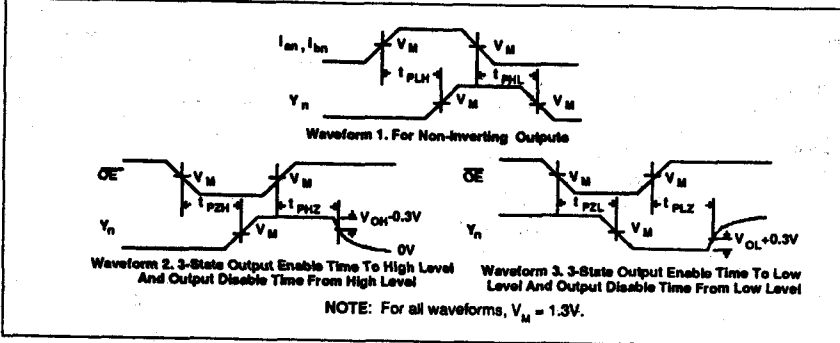
Buffer

74ALS244A, 74ALS244A-1

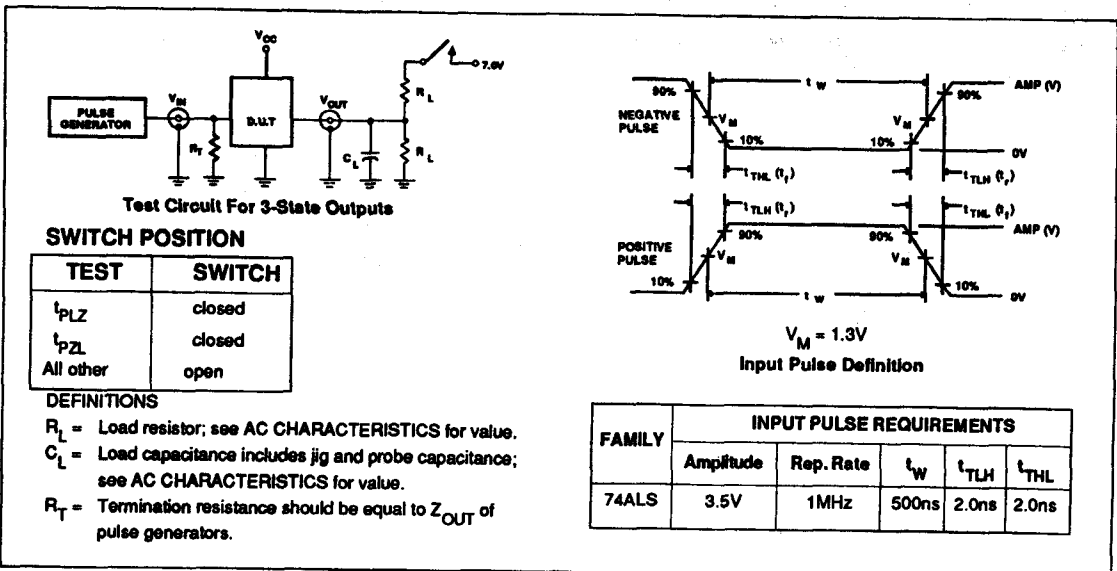
AC ELECTRICAL CHARACTERISTICS

SYMBOL	PARAMETER	TEST CONDITION	LIMITS		UNIT
			$T_A = 0^\circ\text{C to } +70^\circ\text{C}$		
			$V_{CC} = 5V \pm 10\%$ $C_L = 50\text{pF}$ $R_L = 500\Omega$		
			Min	Max	
t_{PLH} t_{PHL}	Propagation delay I_n to Y_n	Waveform 1	1.5	10.0	ns
t_{PZH} t_{PZL}	Output Enable time to High or Low level	Waveform 2 Waveform 3	1.0	10.0	ns
t_{PHZ} t_{PLZ}	Output Disable time to High or Low level	Waveform 2 Waveform 3	2.5	12.0	ns

AC WAVEFORMS



TEST CIRCUIT AND WAVEFORMS



74ALS245A, 74ALS245A-1 Transceivers

Octal Transceivers (3-State)
Product Specification

FEATURES

- Octal bidirectional bus interface
- 3-state buffer outputs sink 24mA and source 15mA.
- Outputs are placed in high impedance state during power-off conditions
- The -1 version sinks 48mA I_{OL} within the $\pm 5\%$ V_{CC} range

DESCRIPTION

The 74ALS245A is an octal transceiver featuring non-inverting 3-state bus compatible outputs in both transmit and receive directions. The device features an Output Enable (\overline{OE}) input for easy cascading and Transmit/Receive (T/\overline{R}) input for direction control. The 74ALS245A-1 is the same as the 74ALS245A except that the B port sinks 48 mA within the $\pm 5\%$ V_{CC} range.

TYPE	TYPICAL PROPAGATION DELAY	TYPICAL SUPPLY CURRENT (TOTAL)
74ALS245A 74ALS245A-1	7.0ns	34mA

ORDERING INFORMATION

PACKAGES	COMMERCIAL RANGE
	$V_{CC} = 5V \pm 10\%$; $T_A = 0^\circ C$ to $+70^\circ C$
20-Pin Plastic DIP	74ALS245AN, 74ALS245A-1N
20-Pin Plastic SOL	74ALS245AD, 74ALS245A-1D

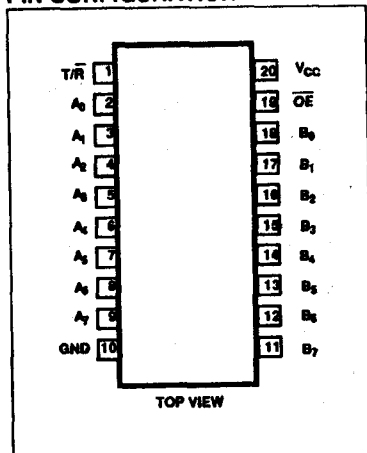
INPUT AND OUTPUT LOADING AND FAN-OUT TABLE

PINS	DESCRIPTION	74ALS(U.L.) HIGH/LOW	LOAD VALUE HIGH/LOW
$A_0 - A_7, B_0 - B_7$	Data inputs	1.0/1.0	20 μ A/0.1mA
\overline{OE}	Output enable input (active Low)	1.0/1.0	20 μ A/0.1mA
T/\overline{R}	Transmit/Receive input	1.0/1.0	20 μ A/0.1mA
$A_0 - A_7$	A port outputs	750/240	15mA/24mA
$B_0 - B_7$	B Port outputs	750/240	15mA/24mA
$B_0 - B_7$	B Port outputs (-1 version)	750/480	15mA/48mA

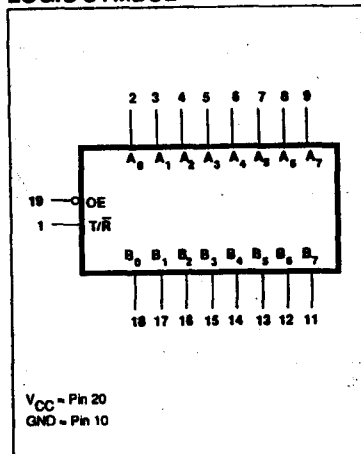
NOTE:

One (1.0) ALS Unit Load is defined as: 20 μ A in the High state and 0.1mA in the Low state.

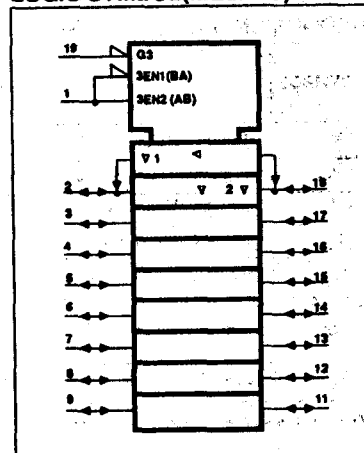
PIN CONFIGURATION



LOGIC SYMBOL



LOGIC SYMBOL (IEEE/IEC)



Transceivers

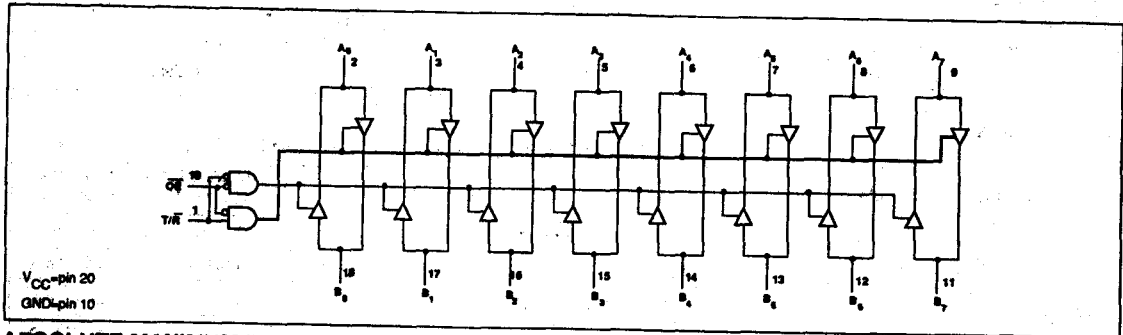
74ALS245A, 74ALS245A-1

FUNCTION TABLE

INPUTS		OUTPUTS
OE	T/R	
L	L	Bus B data to Bus A
L	H	Bus A data to Bus B
H	X	Z

H=High voltage level
L=Low voltage level
X=Don't care
Z=High impedance "off" state

LOGIC DIAGRAM



ABSOLUTE MAXIMUM RATINGS

(Operation beyond the limits set forth in this table may impair the useful life of the device. Unless otherwise noted these limits are over the operating free-air temperature range.)

SYMBOL	PARAMETER	RATING	UNIT
V_{CC}	Supply voltage	-0.5 to +7.0	V
V_{IN}	Input voltage	-0.5 to +7.0	V
I_{IN}	Input current	-30 to +5	mA
V_{OUT}	Voltage applied to output in High output state	-0.5 to +5.5	V
I_{OUT}	Current applied to output in Low output state	All versions	48
		-1 version only	96
T_A	Operating free-air temperature range	0 to +70	°C
T_{STG}	Storage temperature	-65 to +150	°C

RECOMMENDED OPERATING CONDITIONS

SYMBOL	PARAMETER	LIMITS			UNIT
		Min	Nom	Max	
V_{CC}	Supply voltage	4.5	5.0	5.5	V
V_{IH}	High-level input voltage	2.0			V
V_{IL}	Low-level input voltage			0.8	V
I_{IK}	Input clamp current			-18	mA
I_{OH}	High-level output current			-15	mA
I_{OL}	Low-level output current	All versions		24	mA
		-1 version only		48 ¹	mA
T_A	Operating free-air temperature range	0		70	°C

NOTE: 1. The 48 mA limit applies only under the condition of $V_{CC} = 5.0V \pm 5\%$.

Transceivers

74ALS245A, 74ALS245A-1

DC ELECTRICAL CHARACTERISTICS (Over recommended operating free-air temperature range unless otherwise noted.)

SYMBOL	PARAMETER		TEST CONDITIONS ¹			LIMITS			UNIT
						Min	Typ ²	Max	
V_{OH}	High-level output voltage		$V_{CC} \pm 10\%$	$V_{IL} = \text{MAX}$ $V_{IH} = \text{MIN}$	$I_{OH} = -0.4\text{mA}$	V_{CC}^{-2}			V
			$V_{CC} = \text{MIN}$		$I_{OH} = -3\text{mA}$	2.4	3.2		V
					$I_{OH} = -15\text{mA}$	2.0			V
V_{OL}	Low-level output voltage	All versions	$V_{CC} = \text{MIN}$	$V_{IL} = \text{MAX}$ $V_{IH} = \text{MIN}$	$I_{OL} = 12\text{mA}$		0.25	0.4	V
					$I_{OL} = 24\text{mA}$		0.35	0.5	V
	-1 version	$V_{CC} = 4.75\text{V}$	$I_{OL} = 48\text{mA}$			0.35	0.5	V	
V_{IK}	input clamp voltage		$V_{CC} = \text{MIN}, I_I = I_{IK}$				-0.73	-1.5	V
I_I	Input current at maximum input voltage - \overline{OE} or T/\overline{R}		$V_{CC} = \text{MAX}, V_I = 7.0\text{V}$					0.1	mA
I_I	Input current at maximum input voltage - A or B ports		$V_{CC} = \text{MAX}, V_I = 5.5\text{V}$					0.1	mA
I_{IH}	High-level input current ³		$V_{CC} = \text{MAX}, V_I = 2.7\text{V}$					20	μA
I_{IL}	Low-level input current ³		$V_{CC} = \text{MAX}, V_I = 0.4\text{V}$					-0.1	mA
I_O	Short-circuit output current ⁴		$V_{CC} = \text{MAX}, V_O = 2.25\text{V}$			-30		-112	mA
I_{CC}	Supply current (total)		$V_{CC} = \text{MAX}$	I_{CCH}		28	45		mA
				I_{CCL}		40	55		mA
				I_{CCZ}		44	58		mA

NOTES:

- For conditions shown as MIN or MAX, use the appropriate value specified under recommended operating conditions for the applicable type.
- All typical values are at $V_{CC} = 5\text{V}$, $T_A = 25^\circ\text{C}$.
- For I/O ports, the parameters I_{IH} and I_{IL} include the off-state current.
- The output conditions have been chosen to produce current that closely approximates one half of the true short-circuit output current, I_{OS} .

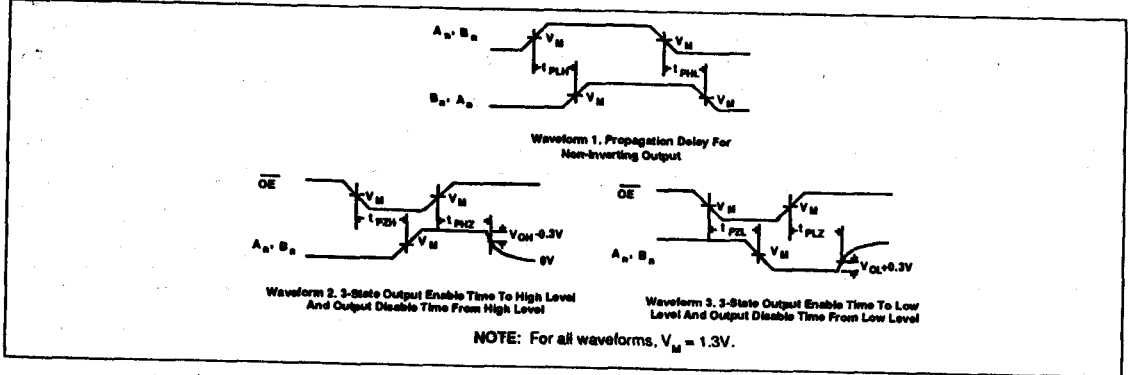
Transceivers

74ALS245A, 74ALS245A-1

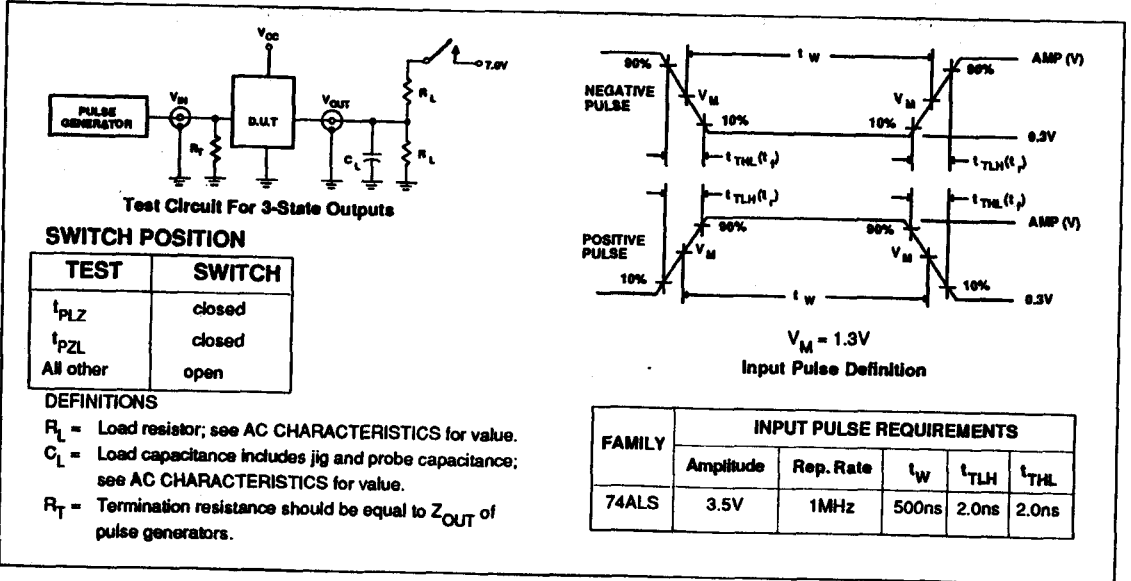
AC ELECTRICAL CHARACTERISTICS

SYMBOL	PARAMETER	TEST CONDITION	LIMITS		UNIT
			$T_A = 0^\circ\text{C to } +70^\circ\text{C}$		
			$V_{CC} = 5V \pm 10\%$ $C_L = 50\text{pF}$ $R_L = 500\Omega$		
			Min	Max	
t_{PLH} t_{PHL}	Propagation delay A_n to B_n , B_n to A_n	Waveform 1	2	10	ns
t_{PZH} t_{PZL}	Output Enable time to High or Low level	Waveform 2 Waveform 3	3 3	20 20	
t_{PHZ} t_{PLZ}	Output Disable time to High or Low level	Waveform 2 Waveform 3	2 4	10 15	ns

AC WAVEFORMS



TEST CIRCUIT AND WAVEFORMS



74ALS251

Multiplexer

74ALS251 8-Input Multiplexer (3-State)
Preliminary Specification

FEATURES

- 8-to-1 multiplexing
- On chip decoding
- Multifunction capability
- Inverting and Non-inverting outputs
- Both outputs are 3-state for further multiplexer expansion

DESCRIPTION

The 74ALS251 is a logic implementation of a single 8-position switch with the switch position controlled by the state of three Select (S_0, S_1, S_2) inputs. True(Y) and complementary (\bar{Y}) outputs are both provided. The output Enable (\overline{OE}) is active Low. When \overline{OE} is High, both outputs are in high impedance state, allowing multiple output connections to a common bus without driving nor loading the bus significantly. When the outputs of more than one device are tied together, the user must ensure that there is no overlap in the active Low portion of the output enable voltages in order to avoid high currents that could exceed the maximum current rating.

TYPE	TYPICAL PROPAGATION DELAY	TYPICAL SUPPLY CURRENT (TOTAL)
74ALS251	12ns	7.5mA

ORDERING INFORMATION

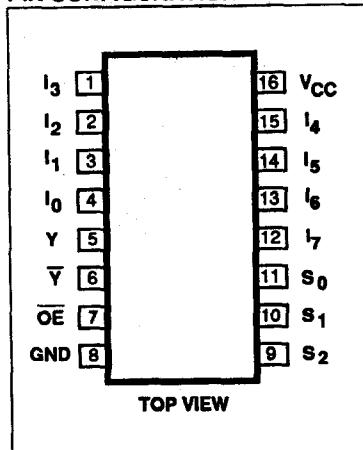
PACKAGES	COMMERCIAL RANGE $V_{CC} = 5V \pm 10\%$; $T_A = 0^\circ C$ to $+70^\circ C$
16-Pin Plastic DIP	N74ALS251N
16-Pin Plastic SO	N74ALS251D

INPUT AND OUTPUT LOADING AND FAN-OUT TABLE

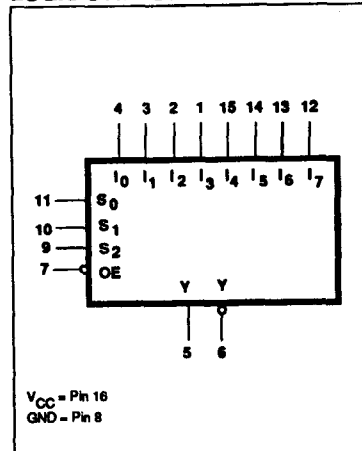
PINS	DESCRIPTION	74ALS(U.L.) HIGH/LOW	LOAD VALUE HIGH/LOW
$I_0 - I_7$	Data inputs	1.0/1.0	20 μ A/0.1mA
$S_0 - S_2$	Select inputs	1.0/1.0	20 μ A/0.1mA
\overline{OE}	Output enable input (active Low)	1.0/1.0	20 μ A/0.1mA
Y, \bar{Y}	Data outputs	130/240	2.6mA/24mA

NOTE:
One (1.0) ALS Unit Load is defined as: 20 μ A in the High state and 0.6mA in the Low state.

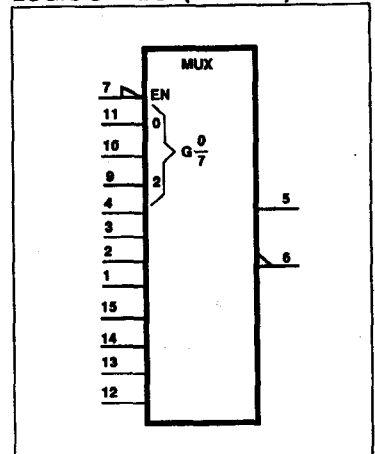
PIN CONFIGURATION



LOGIC SYMBOL



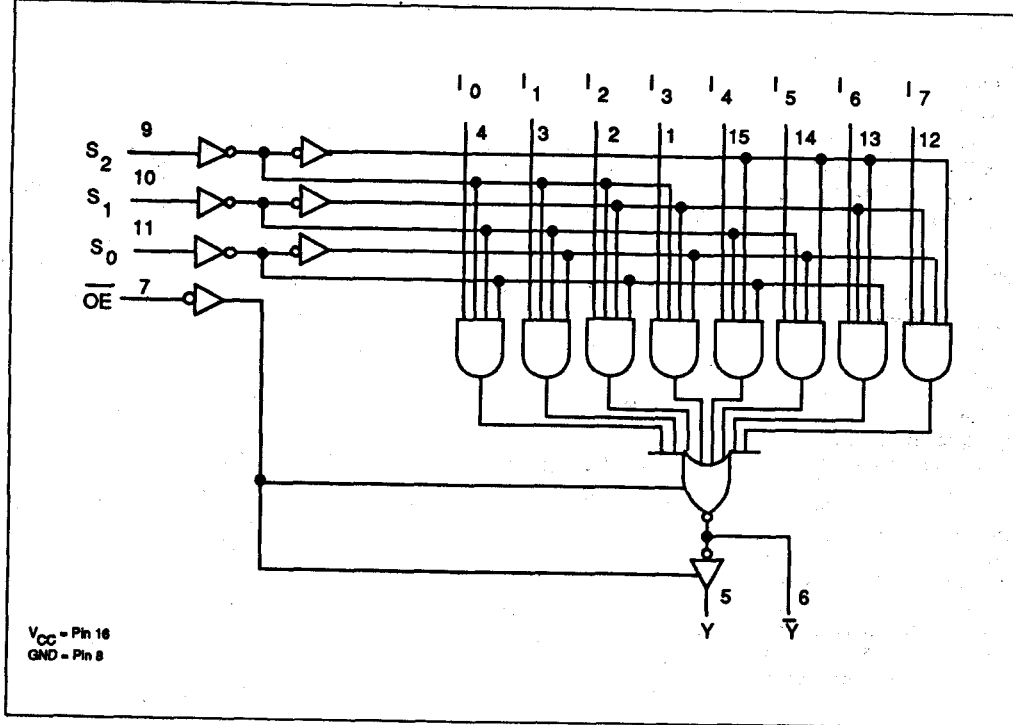
LOGIC SYMBOL (IEEE/IEC)



Multiplexer

74ALS251

LOGIC DIAGRAM



FUNCTION TABLE

INPUTS				OUTPUTS	
S_2	S_1	S_0	\overline{OE}	Y	\overline{Y}
X	X	X	H	Z	Z
L	L	L	L	I_0	$\overline{I_0}$
L	L	H	L	I_1	$\overline{I_1}$
L	H	L	L	I_2	$\overline{I_2}$
L	H	H	L	I_3	$\overline{I_3}$
H	L	L	L	I_4	$\overline{I_4}$
H	L	H	L	I_5	$\overline{I_5}$
H	H	L	L	I_6	$\overline{I_6}$
H	H	H	L	I_7	$\overline{I_7}$

- H = High voltage level
- L = Low voltage level
- X = Don't care
- Z = High impedance "off" state

Multiplexer

74ALS251

ABSOLUTE MAXIMUM RATINGS (Operation beyond the limits set forth in this table may impair the useful life of the device. Unless otherwise noted these limits are over the operating free-air temperature range.)

SYMBOL	PARAMETER	RATING	UNIT
V_{CC}	Supply voltage	-0.5 to +7.0	V
V_{IN}	Input voltage	-0.5 to +7.0	V
I_{IN}	Input current	-30 to +5	mA
V_{OUT}	Voltage applied to output in High output state	-0.5 to $+V_{CC}$	V
I_{OUT}	Current applied to output in Low output state	48	mA
T_A	Operating free-air temperature range	0 to +70	°C
T_{STG}	Storage temperature	-65 to +150	°C

RECOMMENDED OPERATING CONDITIONS

SYMBOL	PARAMETER	LIMITS			UNIT
		Min	Nom	Max	
V_{CC}	Supply voltage	4.5	5.0	5.5	V
V_{IH}	High-level input voltage	2.0			V
V_{IL}	Low-level input voltage			0.8	V
I_K	Input clamp current			-18	mA
I_{OH}	High-level output current			-2.6	mA
I_{OL}	Low-level output current			24	mA
T_A	Operating free-air temperature range	0		70	°C

DC ELECTRICAL CHARACTERISTICS (Over recommended operating free-air temperature range unless otherwise noted.)

SYMBOL	PARAMETER	TEST CONDITIONS ¹			LIMITS			UNIT	
					Min	Typ ²	Max		
V_{OH}	High-level output voltage	$V_{CC} \pm 10\%$	$V_{IL} = \text{MAX}$	$I_{OH} = -0.4\text{mA}$	$V_{CC} - 2$			V	
		$V_{CC} = \text{MIN}$	$V_{IH} = \text{MIN}$	$I_{OH} = -2.6\text{mA}$	2.4			V	
V_{OL}	Low-level output voltage	$V_{CC} = \text{MIN}$, $V_{IL} = \text{MAX}$, $V_{IH} = \text{MIN}$	$I_{OL} = 12\text{mA}$			0.25	0.4	V	
			$I_{OL} = 24\text{mA}$			0.35	0.5	V	
V_{IK}	Input clamp voltage	$V_{CC} = \text{MIN}$, $I_I = I_{IK}$				-0.73	-1.5	V	
I_I	Input clamp current at maximum input voltage	$V_{CC} = \text{MAX}$, $V_I = 7.0\text{V}$					0.1	mA	
I_{IH}	High-level input current	$V_{CC} = \text{MAX}$, $V_I = 2.7\text{V}$					20	μA	
I_{IL}	Low-level input current	$V_{CC} = \text{MAX}$, $V_I = 0.4\text{V}$					-0.1	mA	
I_O^3	Output current	$V_{CC} = \text{MAX}$, $V_O = 2.25\text{V}$				-30	-112	mA	
I_{CC}	Supply current (total)	I_{CC}	$V_{CC} = \text{MAX}$				7	10	mA
		I_{CCZ}					9.4	14	mA

NOTES:

- For conditions shown as MIN or MAX, use the appropriate value specified under recommended operating conditions for the applicable type.
- All typical values are at $V_{CC} = 5\text{V}$, $T_A = 25^\circ\text{C}$.
- The output conditions have been chosen to produce a current that closely approximates one half of the true short-circuit output current, I_{Osc} .

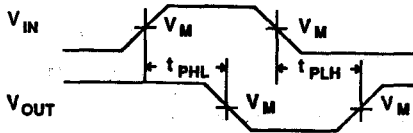
Multiplexer

74ALS251

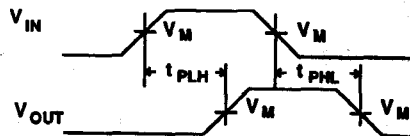
AC ELECTRICAL CHARACTERISTICS

SYMBOL	PARAMETER	TEST CONDITION	LIMITS		UNIT
			$T_A = 0^\circ\text{C to } +70^\circ\text{C}$ $V_{CC} = 5V \pm 10\%$ $C_L = 50\text{pF}$ $R_L = 500\Omega$		
			Min	Max	
t_{PLH} t_{PHL}	Propagation delay I_n to Y	Waveform 2	2 3	10 15	ns
t_{PLH} t_{PHL}	Propagation delay I_n to \bar{Y}	Waveform 1	3 3	15 15	ns
t_{PLH} t_{PHL}	Propagation delay S_n to Y	Waveform 1,2	5 8	18 24	ns
t_{PLH} t_{PHL}	Propagation delay S_n to \bar{Y}	Waveform 1,2	8 7	24 23	ns
t_{PZH} t_{PZL}	Output Enable time \overline{OE} to Y	Waveform 3	3	15	ns
t_{PZH} t_{PZL}	Output Enable time \overline{OE} to \bar{Y}	Waveform 4	3	15	ns
t_{PHZ} t_{PLZ}	Output Disable time \overline{OE} to Y	Waveform 3	3	15	ns
t_{PHZ} t_{PLZ}	Output Disable time \overline{OE} to \bar{Y}	Waveform 4	3	15	ns
t_{PZH} t_{PZL}	Output Enable time \overline{OE} to \bar{Y}	Waveform 3	2	10	ns
t_{PHZ} t_{PLZ}	Output Disable time \overline{OE} to \bar{Y}	Waveform 4	1	10	ns

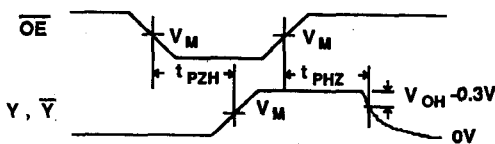
AC WAVEFORMS



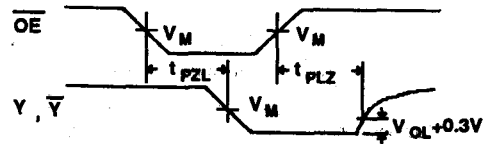
Waveform 1. For Inverting Outputs



Waveform 2. For Non-Inverting Outputs



Waveform 3. 3-State Output Enable Time To High Level And Output Disable Time From High Level

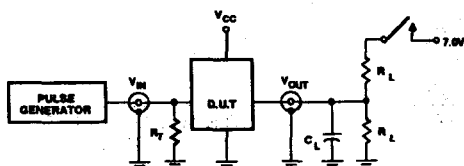


Waveform 4. 3-State Output Enable Time To Low Level And Output Disable Time From Low Level

Multiplexer

74ALS251

TEST CIRCUIT AND WAVEFORMS



Test Circuit For 3-State Outputs

SWITCH POSITION

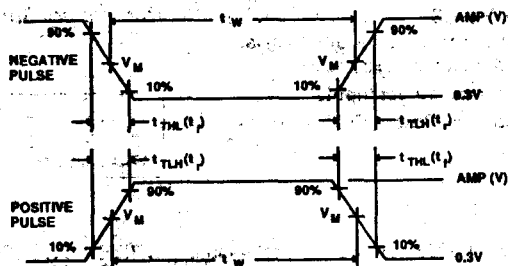
TEST	SWITCH
t_{PLZ}	closed
t_{PZL}	closed
All other	open

DEFINITIONS

R_L = Load resistor; see AC CHARACTERISTICS for value.

C_L = Load capacitance includes jig and probe capacitance; see AC CHARACTERISTICS for value.

R_T = Termination resistance should be equal to Z_{OUT} of pulse generators.



$V_M = 1.3V$

Input Pulse Definition

FAMILY	INPUT PULSE REQUIREMENTS				
	Amplitude	Rep. Rate	t_W	t_{TLH}	t_{THL}
74ALS	3.5V	1MHz	500ns	2.0ns	2.0ns

74ALS253

Multiplexer

Dual 4-Input Multiplexer (3-State)

FEATURES

- 3-state outputs for bus interface and multiplex expansion
- Common select inputs
- Separate Output Enable inputs

DESCRIPTION

The 74ALS253 has two identical 4-input multiplexers with 3-state outputs which select two bits from four sources by using common select inputs (S_0, S_1). When the individual Output Enable ($\overline{OE}_a, \overline{OE}_b$) inputs of the 4-input multiplexers are High, the outputs are forced to a high impedance (Z) state.

The 74ALS253 is the logic implementation of a 2-pole, 4-position switch being determined by the logic levels supplied to the common select inputs.

To avoid exceeding the maximum current ratings when the outputs of the 3-state devices are tied together, all but one device must be in the high-impedance state. Therefore, only one Output Enable must be active at a time.

Preliminary Specification

TYPE	TYPICAL PROPAGATION DELAY	TYPICAL SUPPLY CURRENT (TOTAL)
74ALS253	7ns	7mA

ORDERING INFORMATION

PACKAGES	COMMERCIAL RANGE $V_{CC} = 5V \pm 10\%$; $T_A = 0^\circ C$ to $+70^\circ C$
16-Pin Plastic DIP	N74ALS253N
16-Pin Plastic SO	N74ALS253D

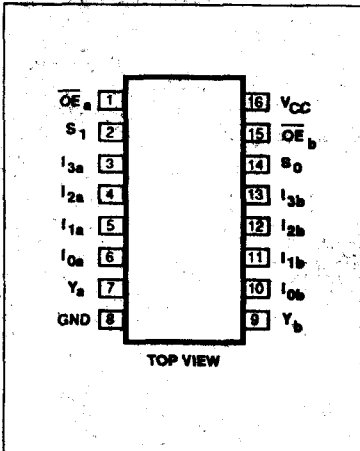
INPUT AND OUTPUT LOADING AND FAN-OUT TABLE

PINS	DESCRIPTION	74ALS(U.L.) HIGH/LOW	LOAD VALUE HIGH/LOW
$I_{0a} - I_{3a}$	Port A data inputs	1.0/1.0	20 μ A/0.1mA
$I_{0b} - I_{3b}$	Port B data inputs	1.0/1.0	20 μ A/0.1mA
$S_0 - S_2$	Common Select inputs	1.0/1.0	20 μ A/0.1mA
\overline{OE}_a	Port A output enable input (active Low)	1.0/1.0	20 μ A/0.1mA
\overline{OE}_b	Port b output enable input (active Low)	1.0/1.0	20 μ A/0.1mA
Y_a, Y_b	3-state outputs	130/240	2.6mA/24mA

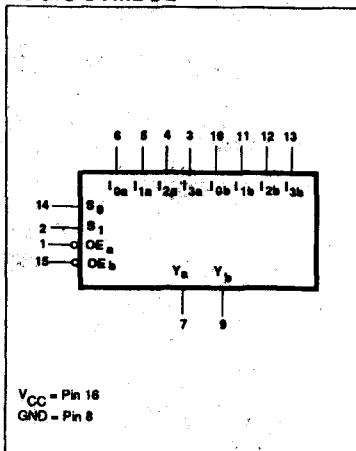
NOTE:

One (1.0) ALS Unit Load is defined as: 20 μ A in the High state and 0.1mA in the Low state.

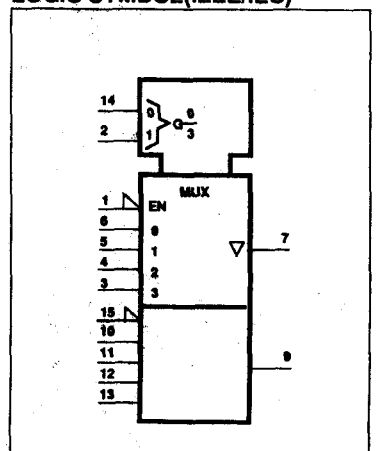
PIN CONFIGURATION



LOGIC SYMBOL



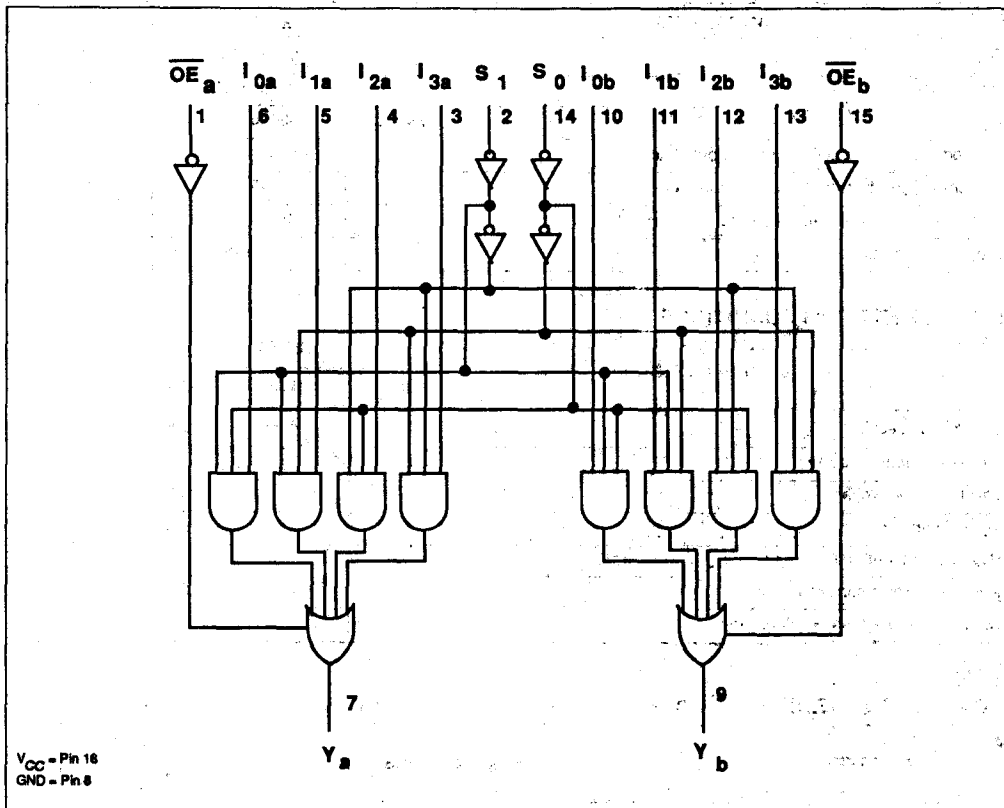
LOGIC SYMBOL (IEEE/IEC)



Multiplexer

74ALS253

LOGIC DIAGRAM



FUNCTION TABLE

INPUTS							OUTPUT
S_0	S_1	I_0	I_1	I_2	I_3	\overline{OE}	Y
X	X	X	X	X	X	H	Z
L	L	L	X	X	X	L	L
L	L	H	X	X	X	L	H
H	L	X	L	X	X	L	L
H	L	X	H	X	X	L	H
L	H	X	X	L	X	L	L
L	H	X	X	H	X	L	H
H	H	X	X	X	L	L	L
H	H	X	X	X	H	L	H

H = High voltage level
L = Low voltage level
X = Don't care
Z = High impedance "off" state

Multiplexer

74ALS253

ABSOLUTE MAXIMUM RATINGS (Operation beyond the limits set forth in this table may impair the useful life of the device. Unless otherwise noted these limits are over the operating free-air temperature range.)

SYMBOL	PARAMETER	RATING	UNIT
V_{CC}	Supply voltage	-0.5 to +7.0	V
V_{IN}	Input voltage	-0.5 to +7.0	V
I_{IN}	Input current	-30 to +5	mA
V_{OUT}	Voltage applied to output in High output state	-0.5 to $+V_{CC}$	V
I_{OUT}	Current applied to output in Low output state	48	mA
T_A	Operating free-air temperature range	0 to +70	°C
T_{STG}	Storage temperature	-65 to +150	°C

RECOMMENDED OPERATING CONDITIONS

SYMBOL	PARAMETER	LIMITS			UNIT
		Min	Nom	Max	
V_{CC}	Supply voltage	4.5	5.0	5.5	V
V_{IH}	High-level input voltage	2.0			V
V_{IL}	Low-level input voltage			0.8	V
I_{IK}	Input clamp current			-18	mA
I_{OH}	High-level output current			-2.6	mA
I_{OL}	Low-level output current			24	mA
T_A	Operating free-air temperature range	0		70	°C

DC ELECTRICAL CHARACTERISTICS (Over recommended operating free-air temperature range unless otherwise noted.)

SYMBOL	PARAMETER	TEST CONDITIONS ¹			LIMITS			UNIT	
					Min	Typ ²	Max		
V_{OH}	High-level output voltage	$V_{CC} \pm 10\%$	$V_{IL} = \text{MAX}$	$I_{OH} = -0.4\text{mA}$	$V_{CC} - 2$			V	
		$V_{CC} = \text{MIN}$	$V_{IH} = \text{MIN}$	$I_{OH} = -2.6\text{mA}$	2.4			V	
V_{OL}	Low-level output voltage	$V_{CC} = \text{MIN}$, $V_{IL} = \text{MAX}$, $V_{IH} = \text{MIN}$	$I_{OL} = 12\text{mA}$			0.25	0.4	V	
			$I_{OL} = 24\text{mA}$			0.35	0.5	V	
V_{IK}	Input clamp voltage	$V_{CC} = \text{MIN}$, $I_I = I_{IK}$				-0.73	-1.5	V	
I_I	Input clamp current at maximum input voltage	$V_{CC} = \text{MAX}$, $V_I = 7.0\text{V}$					0.1	mA	
I_{IH}	High-level input current	$V_{CC} = \text{MAX}$, $V_I = 2.7\text{V}$					20	μA	
I_{IL}	Low-level input current	$V_{CC} = \text{MAX}$, $V_I = 0.4\text{V}$					-0.1	mA	
I_O^3	Output current	$V_{CC} = \text{MAX}$, $V_O = 2.25\text{V}$				-30	-112	mA	
I_{CC}	Supply current (total)	I_{CC}	$V_{CC} = \text{MAX}$				6.5	12	mA
		I_{CCZ}					7.5	14	mA

NOTES:

- For conditions shown as MIN or MAX, use the appropriate value specified under recommended operating conditions for the applicable type.
- All typical values are at $V_{CC} = 5\text{V}$, $T_A = 25^\circ\text{C}$.
- The output conditions have been chosen to produce a current that closely approximates one half of the true short-circuit output current, I_{Osc} .

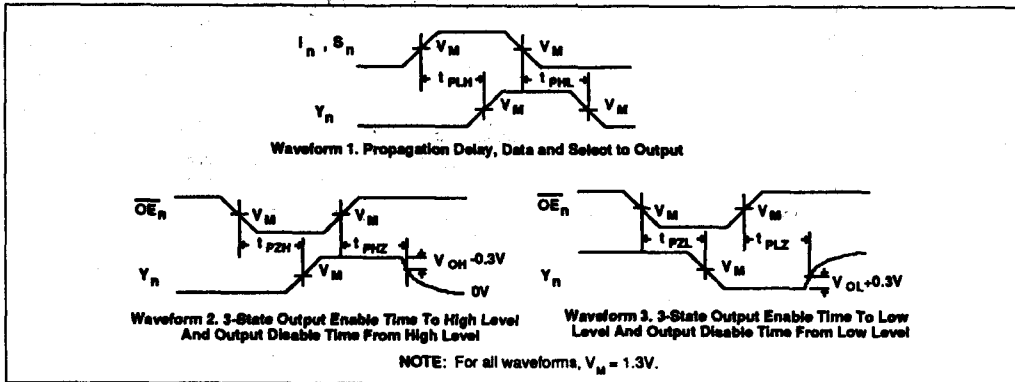
Multiplexer

74ALS253

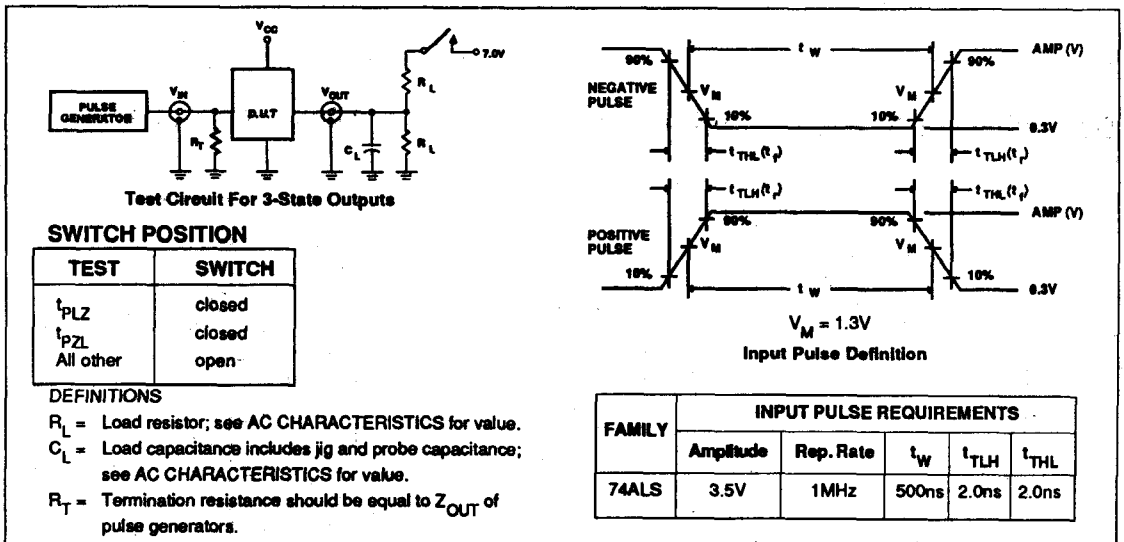
AC ELECTRICAL CHARACTERISTICS

SYMBOL	PARAMETER	TEST CONDITION	LIMITS		UNIT
			$T_A = 0^\circ\text{C to } +70^\circ\text{C}$		
			$V_{CC} = 5V \pm 10\%$ $C_L = 50\text{pF}$ $R_L = 500\Omega$		
			Min	Max	
t_{PLH} t_{PHL}	Propagation delay I_n to Y_n	Waveform 1	2	10	ns
t_{PLH} t_{PHL}	Propagation delay S_n to Y	Waveform 1	5	21	ns
t_{PZH} t_{PZL}	Output Enable time High or Low level	Waveform 2 Waveform 3	3 4	14 16	ns
t_{PHZ} t_{PLZ}	Output Disable time High or Low level	Waveform 2 Waveform 3	2 2	10 14	ns

AC WAVEFORMS



TEST CIRCUIT AND WAVEFORMS



74ALS257, 74ALS258

Data Selectors/Multiplexers

**74ALS257 Quad 2-Input Data Selector/Multiplexer,
Non-Inverting (3-state)**

**74ALS258 Quad 2-Input Data Selector/Multiplexer,
Inverting (3-state)**

Product Specification

DESCRIPTION

The 74ALS257 is a Quad 2-input multiplexer which selects 4 bits of data from one of two sources under the control of a common Select input (S). The Output Enable input (\overline{OE}) is active when Low. When \overline{OE} is High, all of the outputs (Y_n) are forced to a high impedance state (3-state) regardless of all other input conditions.

Moving data from two registers to a common output bus is a typical use of the 74ALS257. The state of the Select input determines the particular register from which the data comes.

The device is the logic implementation of a 4-pole, 2-position switch where the position of the switch is determined by the logic levels supplied to the Select input. The 74ALS258 is similar but has inverting outputs (\overline{Y}_n).

TYPE	TYPICAL PROPAGATION DELAY	TYPICAL SUPPLY CURRENT (TOTAL)
74ALS257	7.0ns	7mA
74ALS258	7.0ns	7mA

ORDERING INFORMATION

PACKAGES	COMMERCIAL RANGE $V_{CC} = 5V \pm 10\%$; $T_A = 0^\circ C$ to $+70^\circ C$
20-pin Plastic DIP	74ALS257N, 74ALS258N
20-pin Plastic SO	74ALS257D, 74ALS258D

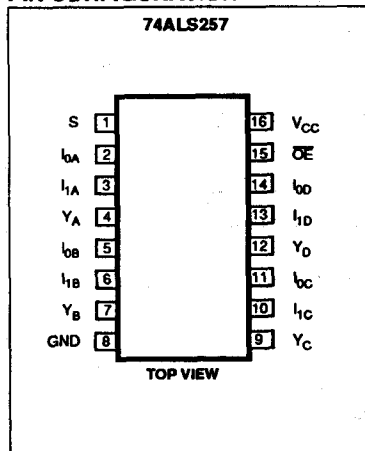
INPUT AND OUTPUT LOADING AND FAN-OUT TABLE

PINS	DESCRIPTION	74F(U.L.) HIGH/LOW	LOAD VALUE HIGH/LOW
$I_{IA}, I_{IB}, I_{IC}, I_{ID}$	Data inputs	1.0/1.0	20 μ A/0.1mA
S	Select input	1.0/1.0	20 μ A/0.1mA
\overline{OE}	Output Enable input	1.0/1.0	20 μ A/0.1mA
$Y_A - Y_D, \overline{Y}_A - \overline{Y}_D$	Data outputs	20/240	0.4mA/24mA

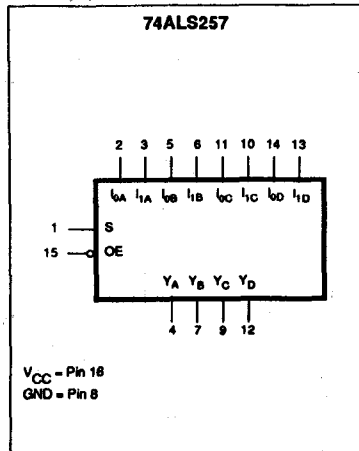
NOTE:

One (1.0) ALS Unit Load is defined as: 20 μ A in the High state and 0.1mA in the Low state.

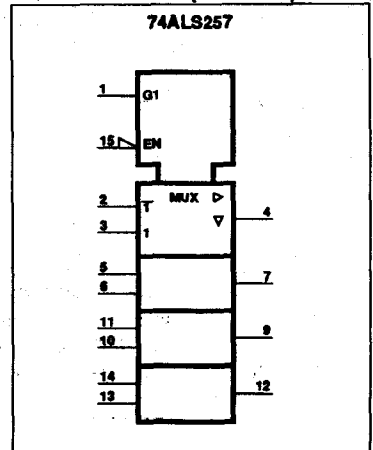
PIN CONFIGURATION



LOGIC SYMBOL



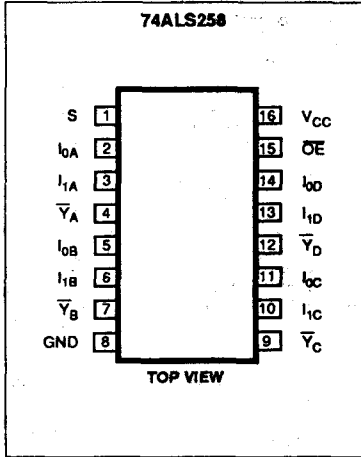
LOGIC SYMBOL (IEEE/IEC)



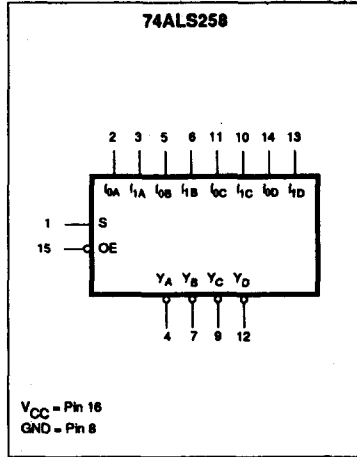
Data Selectors/Multiplexers

74ALS257, 74ALS258

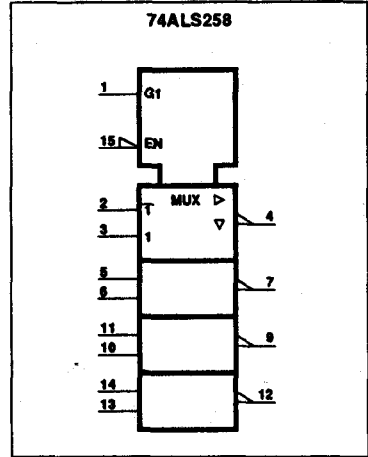
PIN CONFIGURATION



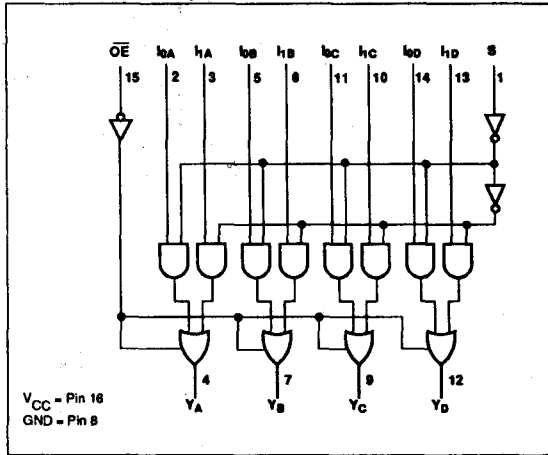
LOGIC SYMBOL



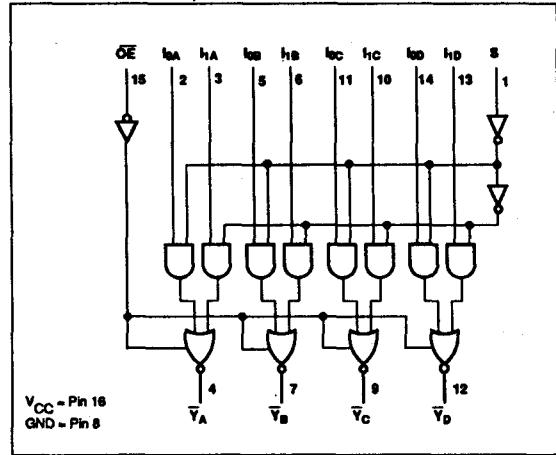
LOGIC SYMBOL (IEEE/IEC)



LOGIC DIAGRAM, 74ALS257



LOGIC DIAGRAM, 74ALS258



FUNCTION TABLE

INPUTS		OUTPUT		
OE	S	I _{0n}	I _{1n}	Y _n
H	X	X	X	Z
L	L	L	X	L
L	L	H	X	H
L	H	X	L	L
L	H	X	H	H

H = High voltage level
L = Low voltage level
X = Don't care

FUNCTION TABLE

INPUTS		OUTPUT		
OE	S	I _{0n}	I _{1n}	Y _n
H	X	X	X	Z
L	L	L	X	H
L	L	H	X	L
L	H	X	L	H
L	H	X	H	L

H = High voltage level
L = Low voltage level
X = Don't care

Data Selectors/Multiplexers

74ALS257, 74ALS258

ABSOLUTE MAXIMUM RATINGS (Operation beyond the limits set forth in this table may impair the useful life of the device. Unless otherwise noted these limits are over the operating free-air temperature range.)

SYMBOL	PARAMETER	RATING	UNIT
V_{CC}	Supply voltage	-0.5 to +7.0	V
V_{IN}	Input voltage	-0.5 to +7.0	V
I_{IN}	Input current	-30 to +5	mA
V_{OUT}	Voltage applied to output in High output state	-0.5 to $+V_{CC}$	V
I_{OUT}	Current applied to output in Low output state	48	mA
T_A	Operating free-air temperature range	0 to +70	°C
T_{STG}	Storage temperature	-65 to +150	°C

RECOMMENDED OPERATING CONDITIONS

SYMBOL	PARAMETER	LIMITS			UNIT
		Min	Nom	Max	
V_{CC}	Supply voltage	4.5	5.0	5.5	V
V_{IH}	High-level input voltage	2.0			V
V_{IL}	Low-level input voltage			0.8	V
I_{IK}	Input clamp current			-18	mA
I_{OH}	High-level output current			-2.6	mA
I_{OL}	Low-level output current			24	mA
T_A	Operating free-air temperature range	0		70	°C

Data Selectors/Multiplexers

74ALS257, 74ALS258

DC ELECTRICAL CHARACTERISTICS (Over recommended operating free-air temperature range unless otherwise noted.)

SYMBOL	PARAMETER		TEST CONDITIONS ¹		LIMITS			UNIT	
					Min	Typ ²	Max		
V_{OH}	High-level output voltage		$V_{CC} \pm 10\%$, $V_{IL} = \text{MAX}$, $V_{IH} = \text{MIN}$	$I_{OH} = -0.4\text{mA}$	$V_{CC} - 2$			V	
				$I_{OH} = \text{MAX}$		2.4	3.2	V	
V_{OL}	Low-level output voltage		$V_{CC} = \text{MIN}$, $V_{IL} = \text{MAX}$, $V_{IH} = \text{MIN}$	$I_{OL} = 12\text{mA}$		0.25	0.4	V	
				$I_{OL} = 24\text{mA}$		0.35	0.5	V	
V_{IK}	Input clamp voltage		$V_{CC} = \text{MIN}$, $I_I = I_{IK}$				-1.5	V	
I_I	Input current at maximum input voltage		$V_{CC} = \text{MAX}$, $V_I = 7.0\text{V}$				0.1	mA	
I_{IH}	High-level input current		$V_{CC} = \text{MAX}$, $V_I = 2.7\text{V}$				20	μA	
I_{IL}	Low-level input current		$V_{CC} = \text{MAX}$, $V_I = 0.4\text{V}$				-0.1	mA	
I_{OZH}	Off-state output current, High-level voltage applied		$V_{CC} = \text{MAX}$, $V_O = 2.7\text{V}$				20	μA	
I_{OZL}	Off-state output current, Low-level voltage applied		$V_{CC} = \text{MAX}$, $V_O = 0.4\text{V}$				-20	μA	
I_O^3	Output current		$V_{CC} = \text{MAX}$, $V_O = 2.25\text{V}$		-30		-112	mA	
I_{CC}	Supply current (total)		74ALS257	$V_{CC} = \text{MAX}$	I_{CCH}		3	6	mA
					I_{CCL}		8	12	mA
					I_{CCZ}		9	14	mA
			74ALS258		I_{CCH}		2.5	4	mA
					I_{CCL}		7	11	mA
					I_{CCZ}		9	13	mA

NOTES:

- For conditions shown as MIN or MAX, use the appropriate value specified under recommended operating conditions for the applicable type.
- All typical values are at $V_{CC} = 5\text{V}$, $T_A = 25^\circ\text{C}$.
- The output conditions have been chosen to produce a current that closely approximates one half of the true short-circuit output current, I_{OS} .

AC ELECTRICAL CHARACTERISTICS for 74ALS257

SYMBOL	PARAMETER	TEST CONDITION	LIMITS		UNIT
			$T_A = 0^\circ\text{C to } +70^\circ\text{C}$		
			$V_{CC} = 5\text{V} \pm 10\%$ $C_L = 50\text{pF}$ $R_L = 500\Omega$		
			Min	Max	
t_{PLH} t_{PHL}	Propagation delay I_{On} or I_{In} to Y_n	Waveform 1	2.0	9.0	ns
			2.0	9.0	
t_{PLH} t_{PHL}	Propagation delay S to Y	Waveform 1, 2	4.0	12.0	ns
			4.0	12.0	
t_{PZH} t_{PZL}	Output Enable time \overline{OE} to Y_n	Waveform 3	3.0	11.0	ns
			4.0	12.0	
t_{PHZ} t_{PLZ}	Output Disable time \overline{OE} to Y_n	Waveform 4	2.0	9.0	ns
			5.0	12.0	

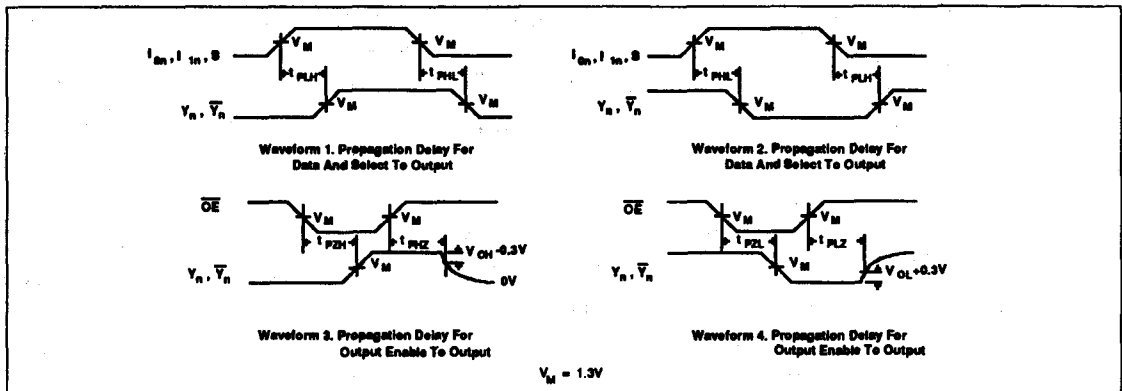
Data Selectors/Multiplexers

74ALS257, 74ALS258

AC ELECTRICAL CHARACTERISTICS for 74ALS258

SYMBOL	PARAMETER	TEST CONDITION	LIMITS		UNIT
			$T_A = 0^\circ\text{C to } +70^\circ\text{C}$ $V_{CC} = 5V \pm 10\%$ $C_L = 50\text{pF}$ $R_L = 500\Omega$		
			Min	Max	
t_{PLH} t_{PHL}	Propagation delay I_{0n} or I_{1n} to \bar{Y}_n	Waveform 2	2.0 2.0	8.0 8.0	ns
t_{PLH} t_{PHL}	Propagation delay S to \bar{Y}	Waveform 1, 2	4.0 4.0	12.0 12.0	ns
t_{PZH} t_{PZL}	Output Enable time \bar{OE} to \bar{Y}_n	Waveform 3	3.0 4.0	11.0 12.0	ns
t_{PHZ} t_{PLZ}	Output Disable time \bar{OE} to \bar{Y}_n	Waveform 4	2.0 5.0	9.0 12.0	ns

AC WAVEFORMS



TEST CIRCUIT AND WAVEFORMS

Test Circuit For 3-State Outputs

SWITCH POSITION

TEST	SWITCH
t_{PLZ}	closed
t_{PZL}	closed
All other	open

DEFINITIONS

R_L = Load resistor; see AC CHARACTERISTICS for value.

C_L = Load capacitance includes jig and probe capacitance; see AC CHARACTERISTICS for value.

R_T = Termination resistance should be equal to Z_{OUT} of pulse generators.

$V_M = 1.3V$
Input Pulse Definition

FAMILY	INPUT PULSE REQUIREMENTS				
	Amplitude	Rep. Rate	t_w	t_{TLH}	t_{THL}
74ALS	3.5V	1MHz	500ns	2.0ns	2.0ns

74ALS273

Flip-Flop

Octal D Flip-Flop Preliminary Specification

FEATURES

- Eight edge-triggered D-type flip-flops
- Buffered common clock
- Buffered asynchronous Master Reset
- See 'ALS377 for clock enable version
- See 'ALS373 for transparent latch version
- See 'ALS374 for 3-state version

DESCRIPTION

The 74ALS273 has eight edge-triggered D-type flip-flops with individual D inputs and Q outputs. The common buffered Clock (CP) and Master Reset (MR) inputs load and reset (clear) all flip-flops simultaneously.

The register is fully edge-triggered. The state of each D input, one setup time before the Low-to-High clock transition, is transferred to the corresponding flip-flop's Q output.

All outputs will be forced Low independently of Clock or Data inputs by a Low voltage level on the MR input. The device is

TYPE	TYPICAL fMAX	TYPICAL SUPPLY CURRENT (TOTAL)
74ALS273	50MHz	15mA

ORDERING INFORMATION

PACKAGES	COMMERCIAL RANGE $V_{CC} = 5V \pm 10\%$; $T_A = 0^\circ C$ to $+70^\circ C$
20-Pin Plastic DIP	N74ALS273N
20-Pin Plastic SOL	N74ALS273D

INPUT AND OUTPUT LOADING AND FAN-OUT TABLE

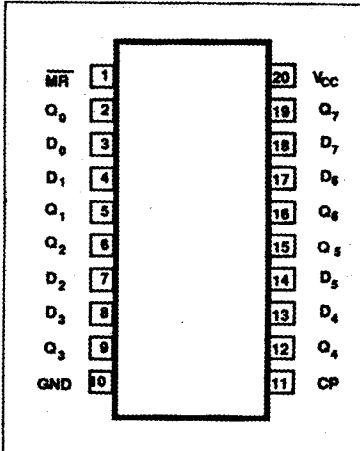
PINS	DESCRIPTION	74ALS(U.L.) HIGH/LOW	LOAD VALUE HIGH/LOW
$D_0 - D_7$	Data inputs	1.0/1.0	20 μ A/0.1mA
MR	Master Reset input (active Low)	1.0/1.0	20 μ A/0.1mA
CP	Clock Pulse input (active rising edge)	1.0/1.0	20 μ A/0.1mA
$Q_0 - Q_7$	3-State outputs	130/240	2.6mA/24mA

NOTE:

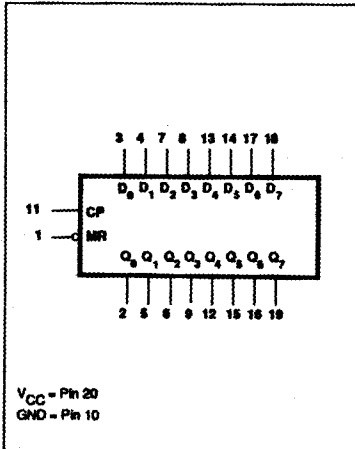
One (1.0) ALS Unit Load is defined as: 20 μ A in the High state and 0.1mA in the Low state.

useful for applications where the true output only is required and the CP and MR are common to all flip-flops.

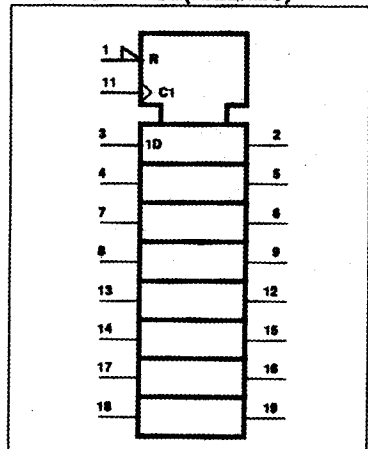
PIN CONFIGURATION



LOGIC SYMBOL



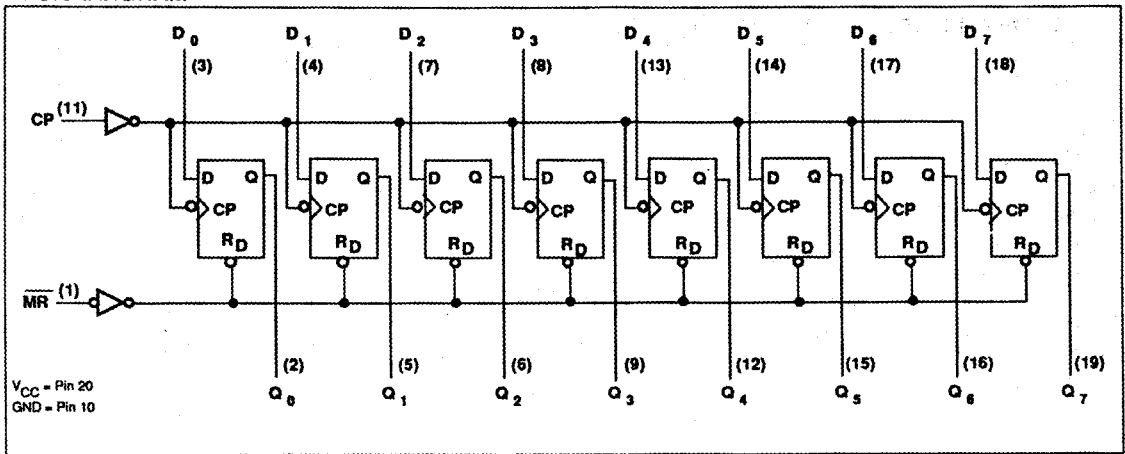
LOGIC SYMBOL (IEEE/IEC)



Flip-Flop

74ALS273

LOGIC DIAGRAM



FUNCTION TABLE

INPUTS			OUTPUTS	OPERATING MODE
MR	CP	D _n	Q ₀ - Q ₇	
L	X	X	L	Reset (clear)
H	↑	h	H	Load "1"
H	↑	l	L	Load "0"

- H = High voltage level
- h = High voltage level one set-up time prior to the Low-to-High clock transition
- L = Low voltage level
- l = Low voltage level one set-up time prior to the Low-to-High clock transition
- X = Don't care
- ↑ = Low-to-High clock transition

ABSOLUTE MAXIMUM RATINGS (Operation beyond the limits set forth in this table may impair the useful life of the device. Unless otherwise noted these limits are over the operating free-air temperature range.)

SYMBOL	PARAMETER	RATING	UNIT
V _{CC}	Supply voltage	-0.5 to +7.0	V
V _{IN}	Input voltage	-0.5 to +7.0	V
I _N	Input current	-30 to +5	mA
V _{OUT}	Voltage applied to output in High output state	-0.5 to +V _{CC}	V
I _{OUT}	Current applied to output in Low output state	48	mA
T _A	Operating free-air temperature range	0 to +70	°C
T _{STG}	Storage temperature	-65 to +150	°C

Flip-Flop

74ALS273

RECOMMENDED OPERATION CONDITIONS

SYMBOL	PARAMETER	LIMITS			UNIT
		Min	Nom	Max	
V_{CC}	Supply voltage	4.5	5.0	5.5	V
V_{IH}	High-level input voltage	2.0			V
V_{IL}	Low-level input voltage			0.8	V
I_{IK}	Input clamp current			-18	mA
I_{OH}	High-level output current			-2.6	mA
I_{OL}	Low-level output current			24	mA
T_A	Operating free-air temperature range	0		70	°C

DC ELECTRICAL CHARACTERISTICS (Over recommended operating free-air temperature range unless otherwise noted.)

SYMBOL	PARAMETER	TEST CONDITIONS ¹		LIMITS			UNIT
				Min	Typ ²	Max	
V_{OH}	High-level output voltage	$V_{CC} \pm 10\%$	$V_{IL} = \text{MAX},$ $V_{IH} = \text{MIN}$	$I_{OH} = -0.4\text{mA}$	$V_{CC} - 2$		V
		$V_{CC} = \text{MIN}$		$I_{OH} = -2.6\text{mA}$	2.4		V
V_{OL}	Low-level output voltage	$V_{CC} = \text{MIN},$ $V_{IL} = \text{MAX},$ $V_{IH} = \text{MIN}$	$I_{OL} = 12\text{mA}$ $I_{OL} = 24\text{mA}$		0.25	0.4	V
					0.35	0.5	V
V_{IK}	Input clamp voltage	$V_{CC} = \text{MIN}, I_1 = I_{IK}$			-0.73	-1.5	V
I_1	Input clamp current at maximum input voltage	$V_{CC} = \text{MAX}, V_1 = 7.0\text{V}$				0.1	mA
I_{IH}	High-level input current	$V_{CC} = \text{MAX}, V_1 = 2.7\text{V}$				20	μA
I_{IL}	Low-level input current	$V_{CC} = \text{MAX}, V_1 = 0.4\text{V}$				-0.1	mA
I_O^3	Output current	$V_{CC} = \text{MAX}, V_O = 2.25\text{V}$			-30	-112	mA
I_{CC}	Supply current (total)	I_{CCH} I_{CCL}	$V_{CC} = \text{MAX}$		11	20	mA
					19	29	mA

NOTES:

- For conditions shown as MIN or MAX, use the appropriate value specified under recommended operating conditions for the applicable type.
- All typical values are at $V_{CC} = 5\text{V}, T_A = 25^\circ\text{C}$.
- The output conditions have been chosen to produce a current that closely approximates one half of the true short-circuit output current, I_{OS} .

Flip-Flop

74ALS273

AC ELECTRICAL CHARACTERISTICS

SYMBOL	PARAMETER	TEST CONDITION	LIMITS		UNIT
			$T = 0^{\circ}\text{C to } +70^{\circ}\text{C}$ $V_{CC} = 5\text{V } \pm 10\%$ $C_L = 50\text{pF}$ $R_L = 500\Omega$		
			Min	Max	
f_{MAX}	Maximum clock frequency	Waveform 1	35		MHz
t_{PLH} t_{PHL}	Propagation delay CP _n to Q _n	Waveform 1	2 3	12 15	ns
t_{PHL}	Propagation delay MR to Q _n	Waveform 2	4	18	ns

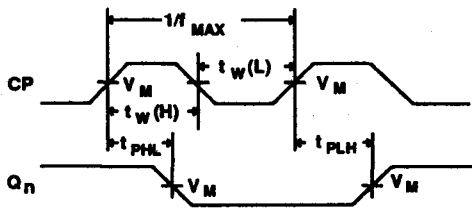
AC SETUP REQUIREMENTS

SYMBOL	PARAMETER	TEST CONDITION	LIMITS		UNIT
			$T = 0^{\circ}\text{C to } +70^{\circ}\text{C}$ $V_{CC} = 5\text{V } \pm 10\%$ $C_L = 50\text{pF}$ $R_L = 500\Omega$		
			Min	Max	
$t_s(H)$ $t_s(L)$	Setup time, High or Low D _n to CP	Waveform 3	10 10		ns
$t_h(H)$ $t_h(L)$	Hold time, High or Low D _n to CP	Waveform 3	0 0		ns
$t_w(H)$ $t_w(L)$	CP Pulse width, High or Low	Waveform 1	14 14		ns
$t_w(L)$	Master Reset Pulse width, Low	Waveform 2	10		ns
t_{rec}	Recovery time MR to CP	Waveform 2	15		ns

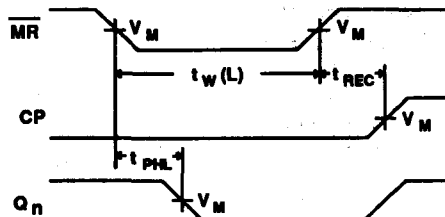
Flip-Flop

74ALS273

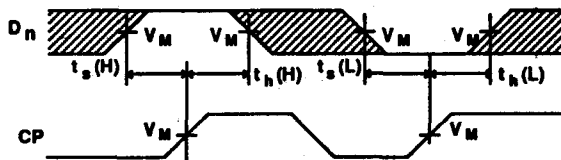
AC WAVEFORMS



Waveform 1. Propagation Delay, Clock Input To Output, Clock Pulse Width, and Maximum Clock Frequency



Waveform 2. Master Reset Pulse Width, Master Reset to Output Delay and Master Reset to Clock Recovery Time

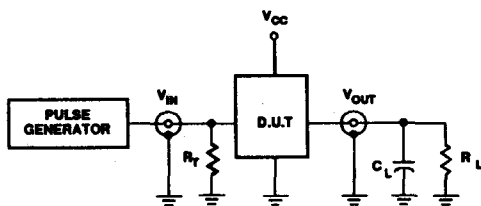


Waveform 3. Data Setup And Hold Times

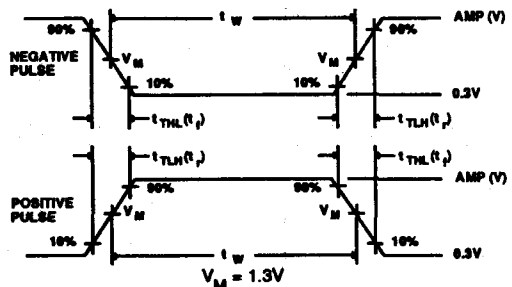
NOTE: For all waveforms, $V_M = 1.3V$.

The shaded areas indicate when the input is permitted to change for predictable output performance.

TEST CIRCUIT AND WAVEFORMS



Test Circuit For Totem-Pole Outputs



Input Pulse Definition

DEFINITIONS

- R_L = Load resistor; see AC CHARACTERISTICS for value.
- C_L = Load capacitance includes jig and probe capacitance; see AC CHARACTERISTICS for value.
- R_T = Termination resistance should be equal to Z_{OUT} of pulse generators.

FAMILY	INPUT PULSE REQUIREMENTS				
	Amplitude	Rep. Rate	t_w	$t_{TLH}(t_L)$	$t_{THL}(t_H)$
74ALS	3.5V	1MHz	500ns	2.0ns	2.0ns

74ALS373, 74ALS374

Latch/Flip-Flop

74ALS373 Octal Transparent Latch (3-State)

74ALS374 Octal D Flip-Flop (3-State)

Product Specification

FEATURES

- 8-bit transparent latch-ALS373
- 8-bit positive edge triggered register-ALS374
- 3-State Output buffers
- Common 3-state Output Enable
- Independent register and 3-state buffer operation

DESCRIPTION

The 74ALS373 is an octal transparent latch coupled to eight 3-State output buffers. The two sections of the device are controlled independently by Enable (E) and Output Enable (\overline{OE}) control gates.

The data on the D inputs is transferred to the latch outputs when the Enable (E) input is High. The latch remains transparent to the data input while E is High and stores the data that is present one set-up time before the High-to-Low enable transition.

The 3-State output buffers are designed to drive heavily loaded 3-State buses, MOS memories, or MOS microprocessors. The active Low Output Enable (\overline{OE}) controls all eight 3-State buffers independent of the latch operation. When \overline{OE} is Low, the latched or transparent data appears at the outputs. When \overline{OE} is High, the outputs are

TYPE	TYPICAL PROPAGATION DELAY	TYPICAL SUPPLY CURRENT (TOTAL)
74ALS373	6.0ns	14mA
74ALS374	6.0ns	17mA

ORDERING INFORMATION

PACKAGES	COMMERCIAL RANGE
	$V_{CC} = 5V \pm 10\%$; $T_A = 0^\circ C$ to $+70^\circ C$
20-Pin Plastic DIP	74ALS373N, 74ALS374N
20-Pin Plastic SOL	74ALS373D, 74ALS374D

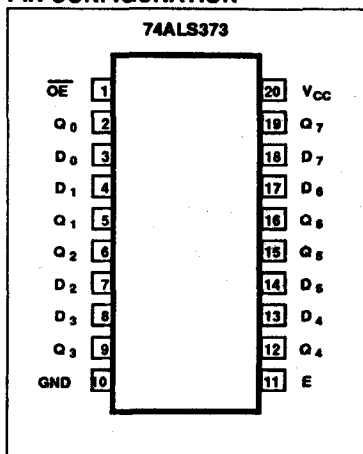
INPUT AND OUTPUT LOADING AND FAN-OUT TABLE

PINS	DESCRIPTION	74(U.L.) HIGH/LOW	LOAD VALUE HIGH/LOW
$D_0 - D_7$	Data inputs	1.0/1.0	20 μ A/0.1mA
E (ALS373)	Latch enable input (active High)	1.0/1.0	20 μ A/0.1mA
\overline{OE}	Output enable input (active Low)	1.0/1.0	20 μ A/0.1mA
CP (ALS374)	Clock Pulse input (Active rising edge)	1.0/1.0	20 μ A/0.1mA
$Q_0 - Q_7$	3-State outputs	130/240	2.6mA/24mA

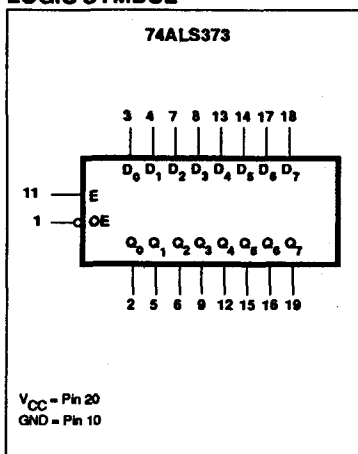
NOTE:

One (1.0) ALS Unit Load is defined as: 20 μ A in the High state and 0.1mA in the Low state.

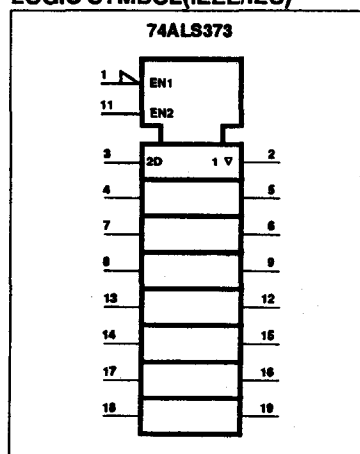
PIN CONFIGURATION



LOGIC SYMBOL



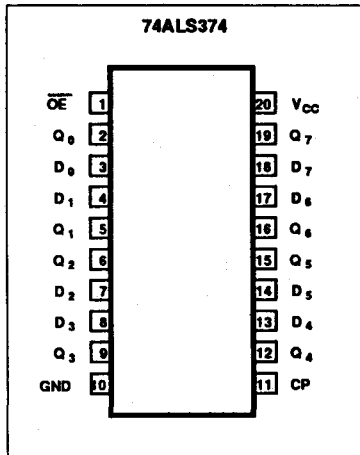
LOGIC SYMBOL (IEEE/IEC)



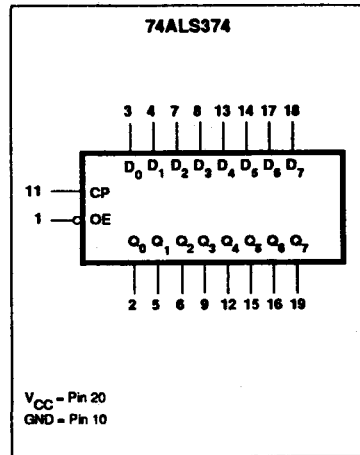
Latch/Flip-Flop

74ALS373, 74ALS374

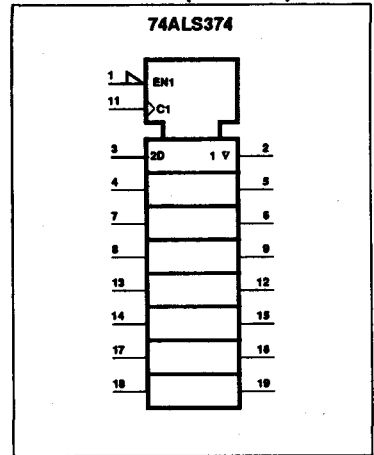
PIN CONFIGURATION



LOGIC SYMBOL



LOGIC SYMBOL (IEEE/IEC)



in high impedance "off" state, which means they will neither drive nor load the bus.

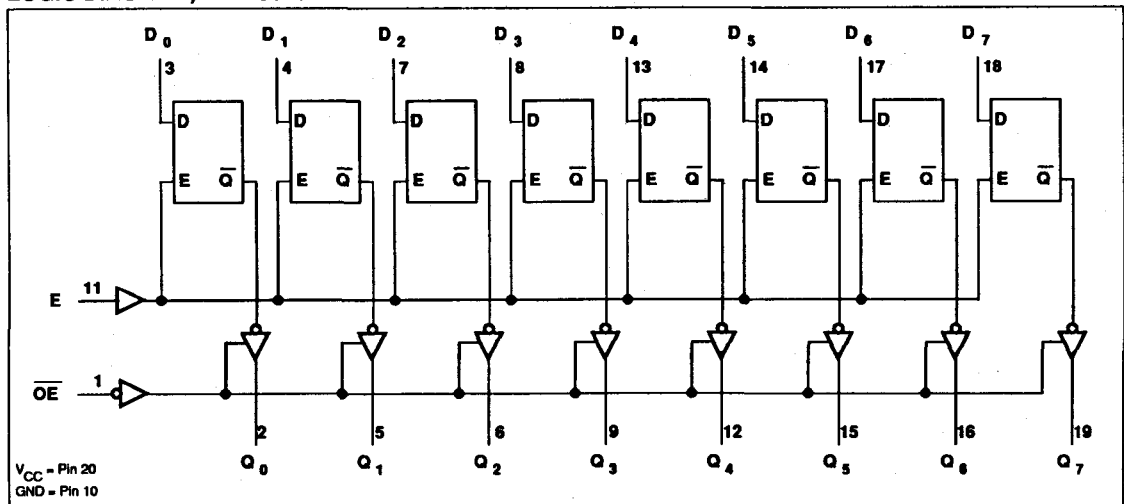
The 'ALS374 is an 8-bit, edge triggered register coupled to eight 3-State output buffers. The two sections of the device are controlled independently by the clock (CP) and Output Enable (OE) control gates.

The register is fully edge triggered. The state of each D input, one set-up time before the Low-to-High clock transition is transferred to the corresponding flip-flop's Q output.

The 3-State output buffers are designed to drive heavily loaded 3-State buses, MOS memories, or MOS microproces-

sors. The active Low Output Enable (\overline{OE}) controls all eight 3-State buffers independent of the latch operation. When \overline{OE} is Low, the latched or transparent data appears at the outputs. When \overline{OE} is High, the outputs are in high impedance "off" state, which means they will neither drive nor load the bus.

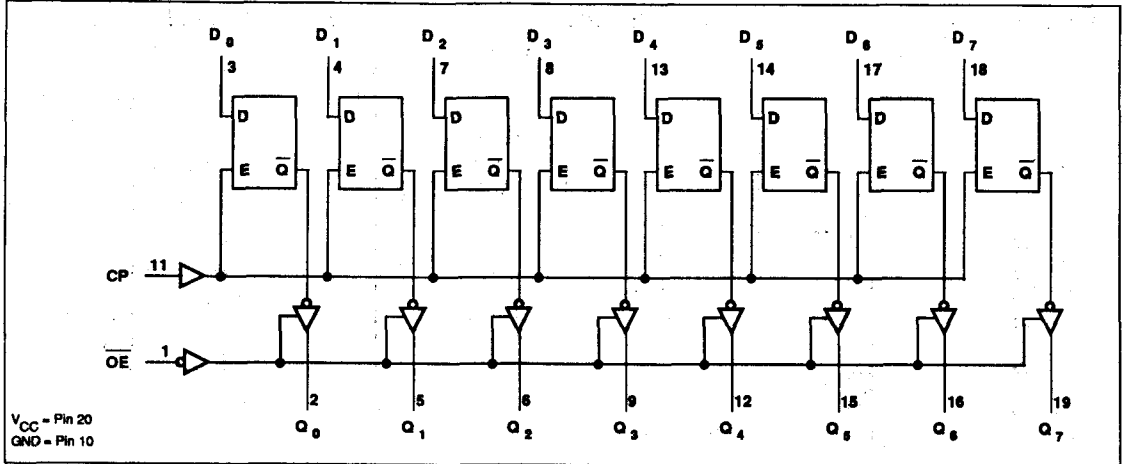
LOGIC DIAGRAM, 74ALS373



Latch/Flip-Flop

74ALS373, 74ALS374

LOGIC DIAGRAM, 74ALS374



FUNCTION TABLE, 74ALS373

INPUTS			INTERNAL REGISTER	OUTPUTS Q ₀ - Q ₇	OPERATING MODE
OE	E	D _n			
L	H	L	L	L	Enable and read register
L	H	H	H	H	
L	↓	l	L	L	Latch and read register
L	↓	h	H	H	
L	L	X	NC	NC	Hold
H	L	X	NC	Z	Disable outputs
H	H	D _n	D _n	Z	

- H = High voltage level
- h = High voltage level one set-up time prior to the High-to-Low E transition
- L = Low voltage level
- l = Low voltage level one set-up time prior to the High-to-Low E transition
- NC = No change
- X = Don't care
- Z = High impedance "off" state
- ↓ = High-to-Low E transition

FUNCTION TABLE, 74ALS374

INPUTS			INTERNAL REGISTER	OUTPUTS Q ₀ - Q ₇	OPERATING MODE
OE	CP	D _n			
L	↑	l	L	L	Load and read register
L	↑	h	H	H	
L	≠	X	NC	NC	Hold
H	↑	X	NC	Z	Disable outputs
H	↑	D _n	D _n	Z	

- H = High voltage level
- h = High voltage level one set-up time prior to the Low-to-High clock transition
- L = Low voltage level
- l = Low voltage level one set-up time prior to the Low-to-High clock transition
- NC = No change
- X = Don't care
- Z = High impedance "off" state
- ↑ = Low-to-High clock transition
- ≠ = Not a Low-to-High clock transition

Latch/Flip-Flop

74ALS373, 74ALS374

ABSOLUTE MAXIMUM RATINGS (Operation beyond the limits set forth in this table may impair the useful life of the device. Unless otherwise noted these limits are over the operating free-air temperature range.)

SYMBOL	PARAMETER	RATING	UNIT
V_{CC}	Supply voltage	-0.5 to +7.0	V
V_{IN}	Input voltage	-0.5 to +7.0	V
I_{IN}	Input current	-30 to +5	mA
V_{OUT}	Voltage applied to output in High output state	-0.5 to $+V_{CC}$	V
I_{OUT}	Current applied to output in Low output state	48	mA
T_A	Operating free-air temperature range	0 to +70	°C
T_{STG}	Storage temperature	-65 to +150	°C

RECOMMENDED OPERATING CONDITIONS

SYMBOL	PARAMETER	LIMITS			UNIT
		Min	Nom	Max	
V_{CC}	Supply voltage	4.5	5.0	5.5	V
V_{IH}	High-level input voltage	2.0			V
V_{IL}	Low-level input voltage			0.8	V
I_K	Input clamp current			-18	mA
I_{OH}	High-level output current			-2.6	mA
I_{OL}	Low-level output current			24	mA
T_A	Operating free-air temperature range	0		70	°C

Latch/Flip-Flop

74ALS373, 74ALS374

DC ELECTRICAL CHARACTERISTICS (Over recommended operating free-air temperature range unless otherwise noted.)

SYMBOL	PARAMETER		TEST CONDITIONS ¹		LIMITS			UNIT
					Min	Typ ²	Max	
V_{OH}	High-level output voltage		$V_{CC} \pm 10\%$, $V_{IL} = \text{MAX}$, $V_{IH} = \text{MIN}$	$I_{OH} = -0.4\text{mA}$	$V_{CC} - 2$			V
			$V_{CC} = \text{MIN}$, $V_{IL} = \text{MAX}$, $V_{IH} = \text{MIN}$	$I_{OH} = \text{MAX}$	2.4	3.2		V
V_{OL}	Low-level output voltage		$V_{CC} = \text{MIN}$, $V_{IL} = \text{MAX}$ $V_{IH} = \text{MIN}$	$I_{OL} = 12\text{mA}$		0.25	0.4	V
				$I_{OL} = 24\text{mA}$		0.35	0.5	V
V_{IK}	Input clamp voltage		$V_{CC} = \text{MIN}$, $I_I = I_{IK}$			-0.73	-1.5	V
I_I	Input current at maximum input voltage		$V_{CC} = \text{MAX}$, $V_I = 7.0\text{V}$				100	μA
I_{IH}	High-level input current		$V_{CC} = \text{MAX}$, $V_I = 2.7\text{V}$				20	μA
I_{IL}	Low-level input current	74ALS373	$V_{CC} = \text{MAX}$, $V_I = 0.4\text{V}$				-0.1	mA
		74ALS374					-0.2	mA
I_{OZH}	Off-state output current, High-level voltage applied		$V_{CC} = \text{MAX}$, $V_O = 2.7\text{V}$				20	μA
I_{OZL}	Off-state output current, Low-level voltage applied		$V_{CC} = \text{MAX}$, $V_O = 0.4\text{V}$				-20	μA
I_O	Output current ³		$V_{CC} = \text{MAX}$, $V_O = 2.25\text{V}$		-30		-112	mA
I_{CC}	Supply current (total)	I_{CCH}	74ALS373	$V_{CC} = \text{MAX}$		7	16	mA
		I_{CCL}				14	25	mA
		I_{CCZ}				17	27	mA
		I_{CCH}	74ALS374			11	19	mA
		I_{CCL}				19	28	mA
		I_{CCZ}				20	31	mA

NOTES:

- For conditions shown as MIN or MAX, use the appropriate value specified under recommended operating conditions for the applicable type.
- All typical values are at $V_{CC} = 5\text{V}$, $T_A = 25^\circ\text{C}$.
- The output conditions have been chosen to produce a current that closely approximates one half of the true short-circuit current, I_{OS} .

Latch/Flip-Flop

74ALS373, 74ALS374

AC ELECTRICAL CHARACTERISTICS

SYMBOL	PARAMETER	TEST CONDITION	LIMITS		UNIT
			$T_A = 0^\circ\text{C to } +70^\circ\text{C}$ $V_{CC} = 5V \pm 10\%$ $C_L = 50\text{pF}$ $R_L = 500\Omega$		
			Min	Max	
t_{PLH} t_{PHL}	Propagation delay D_n to Q_n	Waveform 2	2.0	12.0	ns
t_{PLH} t_{PHL}	Propagation delay E to Q_n		2.0	14.0	
t_{PZH} t_{PZL}	Output Enable time to High or Low level	Waveform 4 Waveform 5	2.0 3.0	14.0 14.0	ns
t_{PHZ} t_{PLZ}	Output Disable time to High or Low level	Waveform 4 Waveform 5	2.0 2.0	10.0 12.0	ns
f_{MAX}	Maximum Clock frequency	Waveform 1	50		MHz
t_{PLH} t_{PHL}	Propagation delay CP to Q_n	Waveform 1	3.0 4.0	12.0 14.0	ns
t_{PZH} t_{PZL}	Output Enable time to High or Low level		3.0 3.0	14.0 14.0	
t_{PHZ} t_{PLZ}	Output Disable time to High or Low level	Waveform 4 Waveform 5	2.0 3.0	10.0 12.0	ns

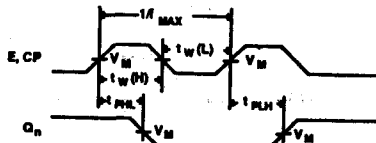
AC SETUP REQUIREMENTS

SYMBOL	PARAMETER	TEST CONDITION	LIMITS		UNIT
			$T_A = 0^\circ\text{C to } +70^\circ\text{C}$ $V_{CC} = 5V \pm 10\%$ $C_L = 50\text{pF}$ $R_L = 500\Omega$		
			Min	Max	
$t_s(H)$ $t_s(L)$	Set-up time D_n to E	Waveform 3	6.0 6.0		ns
$t_h(H)$ $t_h(L)$	Hold time D_n to E		6.0 6.0		
$t_w(H)$	E Pulse width, High	Waveform 1	10.0		ns
$t_s(H)$ $t_s(L)$	Set-up time D_n to CP	Waveform 3	6.0 6.0		ns
$t_h(H)$ $t_h(L)$	Hold time D_n to CP		1.0 1.0		
$t_w(H)$ $t_w(L)$	CP Pulse width, High or Low	Waveform 1	10.0 10.0		ns

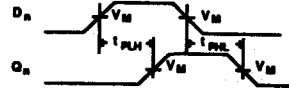
Latch/Flip-Flop

74ALS373, 74ALS374

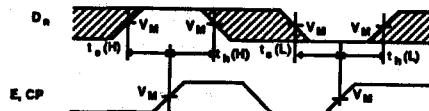
AC WAVEFORMS



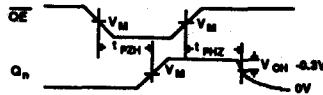
Waveform 1. Propagation Delay, Clock And Enable Inputs To Output, Enable and Clock Pulse Widths, and Maximum Clock Frequency



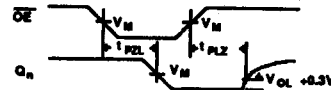
Waveform 2. Propagation Delay For Data To Outputs



Waveform 3. Data Setup And Hold Times



Waveform 4. 3-State Output Enable Time To High Level And Output Disable Time From High Level

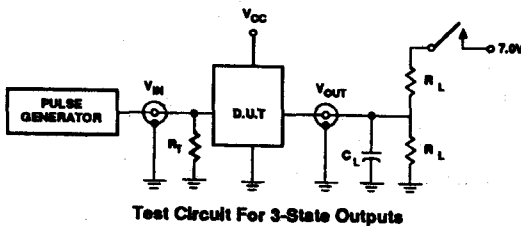


Waveform 5. 3-State Output Enable Time To Low Level And Output Disable Time From Low Level

NOTE: For all waveforms, $V_M = 1.3V$.

The shaded areas indicate when the input is permitted to change for predictable output performance.

TEST CIRCUIT AND WAVEFORMS



Test Circuit For 3-State Outputs

SWITCH POSITION

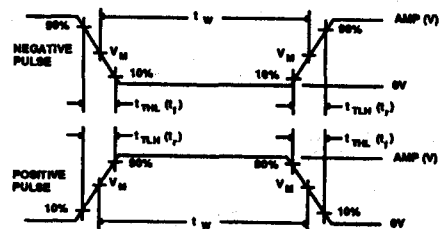
TEST	SWITCH
t_{PLZ}	closed
t_{PZL}	closed
All other	open

DEFINITIONS

R_L = Load resistor; see AC CHARACTERISTICS for value.

C_L = Load capacitance includes jig and probe capacitance; see AC CHARACTERISTICS for value.

R_T = Termination resistance should be equal to Z_{OUT} of pulse generators.



$V_M = 1.3V$

Input Pulse Definition

FAMILY	INPUT PULSE REQUIREMENTS				
	Amplitude	Rep. Rate	t_w	t_{TLH}	t_{THL}
74ALS	3.5V	1MHz	500ns	2.0ns	2.0ns

74ALS377

Flip-Flop

Octal D Flip-Flop With Enable
Preliminary Specification

FEATURES

- Ideal for addressable register applications
- Enable for address and data synchronization applications
- Eight edge-triggered D-type flip-flops
- Buffered common clock
- See 'ALS273 for Master Reset version
- See 'ALS373 for transparent latch version
- See 'ALS374 for 3-State version

DESCRIPTION

The 74ALS377 has eight edge-triggered D-type flip-flops with individual D inputs and Q outputs. The common buffered Clock (CP) input loads all flip-flops simultaneously when the Enable (E) input is Low.

The register is fully edge-triggered. The state of each D input, one setup time before the Low-to-High clock transition, is transferred to the corresponding flip-flop's Q output. The E input must be stable one setup time prior to the Low-to-High clock transition for predictable operation.

TYPE	TYPICAL f_{MAX}	TYPICAL SUPPLY CURRENT (TOTAL)
74ALS377	50 MHz	15mA

ORDERING INFORMATION

PACKAGES	COMMERCIAL RANGE $V_{CC} = 5V \pm 10\%$; $T_A = 0^\circ C$ to $+70^\circ C$
20-Pin Plastic DIP	N74ALS377N
20-Pin Plastic SOL	N74ALS377D

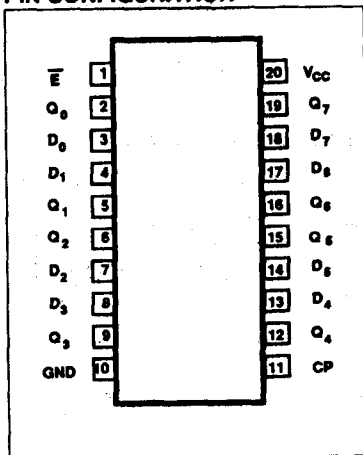
INPUT AND OUTPUT LOADING AND FAN-OUT TABLE

PINS	DESCRIPTION	74ALS(U.L.) HIGH/LOW	LOAD VALUE HIGH/LOW
$D_0 - D_7$	Data inputs	1.0/1.0	20 μ A/0.1mA
CP	Clock Pulse input (active rising edge)	1.0/1.0	20 μ A/0.1mA
E	Enable input (active-Low)	1.0/1.0	20 μ A/0.1mA
$Q_0 - Q_7$	Data outputs	130/240	2.6mA/24mA

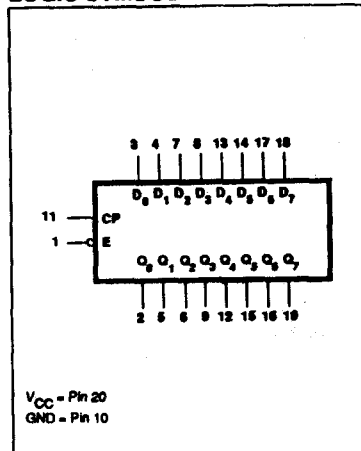
NOTE:

One (1.0) ALS Unit Load is defined as: 20 μ A in the High state and 0.1mA in the Low state.

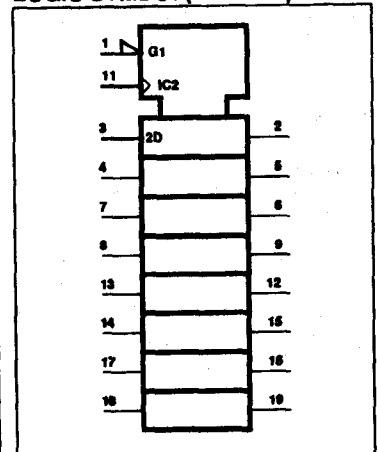
PIN CONFIGURATION



LOGIC SYMBOL



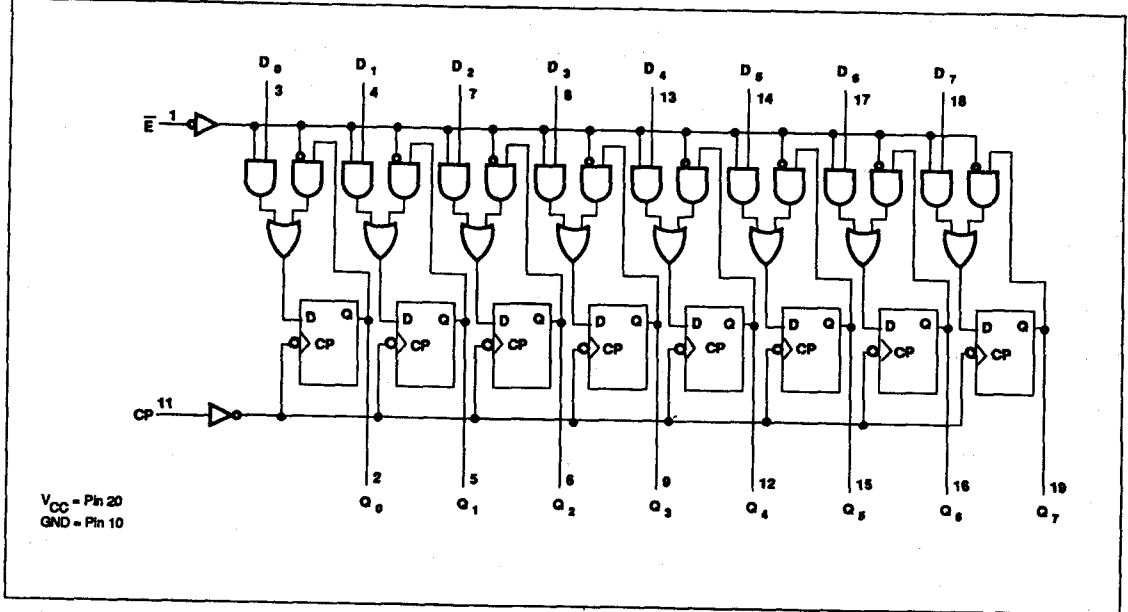
LOGIC SYMBOL (IEEE/IEC)



Flip-Flop

74ALS377

LOGIC DIAGRAM



FUNCTION TABLE

INPUTS			OUTPUTS	OPERATING MODE
\bar{E}	CP	D_n	Q_n	
l	↑	h	H	Load "1"
l	↑	l	L	
h	↑	X	no change	Load "0"
H	X	X	no change	Hold (do nothing)

- H = High voltage level
- h = High voltage level one set-up time prior to the Low-to-High clock transition
- L = Low voltage level
- l = Low voltage level one set-up time prior to the Low-to-High clock transition
- X = Don't care
- ↑ = Low-to-High clock transition

ABSOLUTE MAXIMUM RATINGS

(Operation beyond the limits set forth in this table may impair the useful life of the device. Unless otherwise noted these limits are over the operating free-air temperature range.)

SYMBOL	PARAMETER	RATING	UNIT
V_{CC}	Supply voltage	-0.5 to +7.0	V
V_{IN}	Input voltage	-0.5 to +7.0	V
I_{IN}	Input current	-30 to +5	mA
V_{OUT}	Voltage applied to output in High output state	-0.5 to + V_{CC}	V
I_{OUT}	Current applied to output in Low output state	48	mA
T_A	Operating free-air temperature range	0 to +70	°C
T_{STG}	Storage temperature	-65 to +150	°C

Flip-Flop

74ALS377

RECOMMENDED OPERATION CONDITIONS

SYMBOL	PARAMETER	LIMITS			UNIT
		Min	Nom	Max	
V_{CC}	Supply voltage	4.5	5.0	5.5	V
V_{IH}	High-level input voltage	2.0			V
V_{IL}	Low-level input voltage			0.8	V
I_K	Input clamp current			-18	mA
I_{OH}	High-level output current			-2.6	mA
I_{OL}	Low-level output current			24	mA
T_A	Operating free-air temperature range	0		70	°C

DC ELECTRICAL CHARACTERISTICS (Over recommended operating free-air temperature range unless otherwise noted.)

SYMBOL	PARAMETER	TEST CONDITIONS ¹			LIMITS			UNIT	
					Min	Typ ²	Max		
V_{OH}	High-level output voltage	$V_{CC} \pm 10\%$	$V_{IL} = \text{MAX.}$	$I_{OH} = -0.4\text{mA}$	$V_{CC} - 2$			V	
		$V_{CC} = \text{MIN}$	$V_{IH} = \text{MIN}$	$I_{OH} = -2.6\text{mA}$	2.4			V	
V_{OL}	Low-level output voltage	$V_{CC} = \text{MIN.}$	$I_{OL} = 12\text{mA}$			0.25	0.4	V	
		$V_{IL} = \text{MAX.}$ $V_{IH} = \text{MIN}$	$I_{OL} = 24\text{mA}$			0.35	0.5	V	
V_{IK}	Input clamp voltage	$V_{CC} = \text{MIN.}, I_I = I_K$					-1.5	V	
I_I	Input current at maximum input voltage	$V_{CC} = \text{MAX.}, V_I = 7.0\text{V}$					0.1	mA	
I_{IH}	High-level input current	$V_{CC} = \text{MAX.}, V_I = 2.7\text{V}$					20	μA	
I_{IL}	Low-level input current	$V_{CC} = \text{MAX.}, V_I = 0.4\text{V}$					-0.1	mA	
I_O^3	Output current	$V_{CC} = \text{MAX.}, V_O = 2.25\text{V}$			-30		-112	mA	
I_{CC}	Supply current (total)	I_{CCH}	$V_{CC} = \text{MAX}$				11	20	mA
		I_{CCL}					19	29	mA

NOTES:

- For conditions shown as MIN or MAX, use the appropriate value specified under recommended operating conditions for the applicable type.
- All typical values are at $V_{CC} = 5\text{V}$, $T_A = 25^\circ\text{C}$.
- The output conditions have been chosen to produce a current that closely approximates one half of the true short-circuit output current, I_{OS} .

Flip-Flop

74ALS377

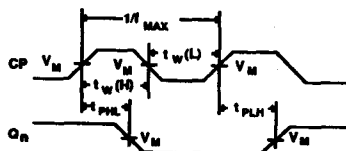
AC ELECTRICAL CHARACTERISTICS

SYMBOL	PARAMETER	TEST CONDITION	LIMITS		UNIT
			$T_A = 0^\circ\text{C to } +70^\circ\text{C}$		
			$V_{CC} = 5V \pm 10\%$ $C_L = 50\text{pF}$ $R_L = 500\Omega$		
			Min	Max	
f_{MAX}	Maximum clock frequency	Waveform 1	35		MHz
t_{PLH} t_{PHL}	Propagation delay CP_n to O_n	Waveform 1	2	12	ns

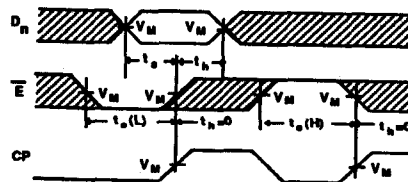
AC SETUP REQUIREMENTS

SYMBOL	PARAMETER	TEST CONDITION	LIMITS		UNIT
			$T_A = 0^\circ\text{C to } +70^\circ\text{C}$		
			$V_{CC} = 5V \pm 10\%$ $C_L = 50\text{pF}$ $R_L = 500\Omega$		
			Min	Max	
$t_s(H)$ $t_s(L)$	Setup time, High or Low D_n to CP	Waveform 2	10	10	ns
$t_h(H)$ $t_h(L)$	Hold time, High or Low D_n to CP	Waveform 2	0	0	ns
$t_s(H)$ $t_s(L)$	Setup time, High or Low E to CP	Waveform 2	15	15	ns
$t_h(H)$ $t_h(L)$	Hold time, High or Low E to CP	Waveform 2	0	0	ns
$t_w(H)$ $t_w(L)$	CP Pulse width, High or Low	Waveform 1	14	14	ns

AC WAVEFORMS



Waveform 1. Propagation Delay, Clock Input To Output, Clock Pulse Width, and Maximum Clock Frequency



Waveform 2. Data and Enable Setup and Hold Times

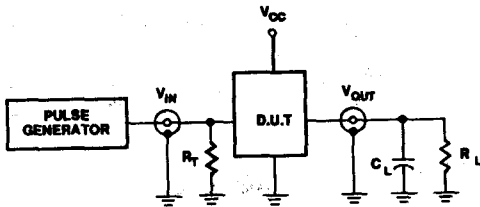
NOTE: For all waveforms, $V_M = 1.3V$.

The shaded areas indicate when the input is permitted to change for predictable output performance.

Flip-Flop

74ALS377

TEST CIRCUIT AND WAVEFORMS



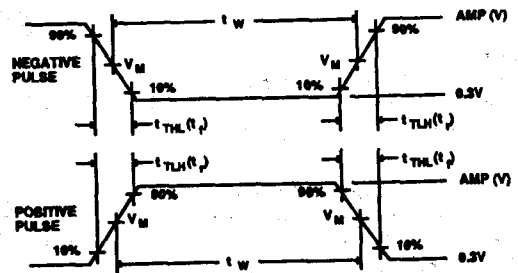
Test Circuit For Totem-Pole Outputs

DEFINITIONS

R_L = Load resistor; see AC CHARACTERISTICS for value.

C_L = Load capacitance includes jig and probe capacitance; see AC CHARACTERISTICS for value.

R_T = Termination resistance should be equal to Z_{OUT} of pulse generators.



$V_M = 1.3V$

Input Pulse Definition

FAMILY	INPUT PULSE REQUIREMENTS				
	Amplitude	Rep. Rate	t_W	t_{TLH}	t_{THL}
74ALS	3.5V	1MHz	500ns	2.0ns	2.0ns

74ALS543, 74ALS543-1, 74ALS544, 74ALS544-1 Transceivers

74ALS543/ALS543-1 Octal Registered Transceiver, Non-Inverting (3-State)
74ALS544/ALS544-1 Octal Registered Transceiver, Inverting (3-State)
Preliminary Specification

FEATURES

- Combines '245 and '373 type functions in one chip
- 8-bit octal transceiver with D-type latch
- Back-to-back registers for storage
- Separate controls for data flow in each direction
- The -1 versions sink 48mA I_{OL} within the $\pm 5\%V_{CC}$ range
- 300 mil wide 24-pin Slim DIP package
- 3-state outputs for bus-orientated applications

DESCRIPTION

The 74ALS543/74ALS543-1 and 74ALS544/74ALS544-1 Octal Registered Transceivers contain two sets of D-type latches for temporary storage of data flowing in either direction. Separate Latch Enable (**LEAB**, **LEBA**) and Output Enable (**OEAB**, **OEBA**) inputs are provided for each register to permit independent control of inputting and outputting in either direction of data flow. While the 'ALS543/'ALS543-1 has non-inverting data path, the 'ALS544/'ALS544-1 inverts data in both directions. The 'ALS543-1 and 'ALS544-1 will sink 48mA if the V_{CC} is limited to 5.0V ± 0.25 V.

TYPE	TYPICAL PROPAGATION DELAY	TYPICAL SUPPLY CURRENT (TOTAL)
74ALS543/74ALS543-1	8.0ns	40mA
74ALS544/74ALS544-1	8.5ns	45mA

ORDERING INFORMATION

PACKAGES	COMMERCIAL RANGE
	$V_{CC} = 5V \pm 10\%$; $T_A = 0^\circ C$ to $+70^\circ C$
24-Pin Plastic Slim DIP (300mil)	74ALS543N, 74ALS543N-1, 74ALS544N, 74ALS544-1N
24-Pin Plastic SOL	74ALS543D, 74ALS543D-1, 74ALS544D, 74ALS544-1D

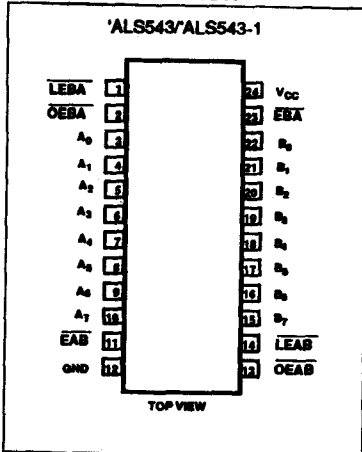
INPUT AND OUTPUT LOADING AND FAN-OUT TABLE

TYPE	PINS	DESCRIPTION	74ALS(U.L.) HIGH/LOW	LOAD VALUE HIGH/LOW
'543/'543-1	$A_0 - A_7$	Port A inputs	1.0/1.0	20 μ A/0.1mA
	$B_0 - B_7$	Port B inputs	1.0/1.0	20 μ A/0.1mA
	OEAB	A-to-B Output Enable input (Active Low)	1.0/1.0	20 μ A/0.1mA
	OEBA	B-to-A Output Enable input (Active Low)	1.0/1.0	20 μ A/0.1mA
	EAB	A-to-B Enable input (Active Low)	1.0/1.0	20 μ A/0.1mA
	'544/'544-1	EBA	B-to-A Enable input (Active Low)	1.0/1.0
LEAB		A-to-B Latch Enable input (Active Low)	1.0/1.0	20 μ A/0.1mA
LEBA		B-to-A Latch Enable input (Active Low)	1.0/1.0	20 μ A/0.1mA
'543/'543-1	A_n, B_n	Outputs (All versions)	750/240	15mA/24mA
	A_n, B_n	Outputs (-1 version)	750/480	15mA/48mA
'544/'544-1	\bar{A}_n, \bar{B}_n	Outputs (All versions)	750/240	15mA/24mA
	\bar{A}_n, \bar{B}_n	Outputs (-1 version)	750/480	15mA/48mA

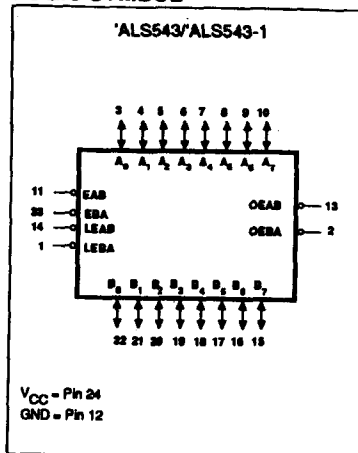
NOTE:

One (1.0) ALS Unit Load is defined as: 20 μ A in the High state and 0.1mA in the Low state.

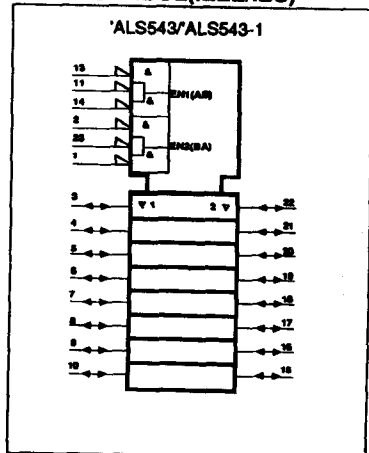
PIN CONFIGURATION



LOGIC SYMBOL



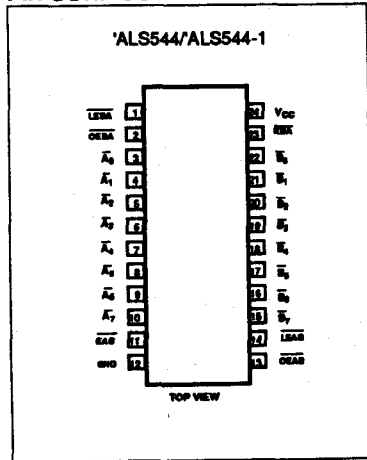
LOGIC SYMBOL (IEEE/IEC)



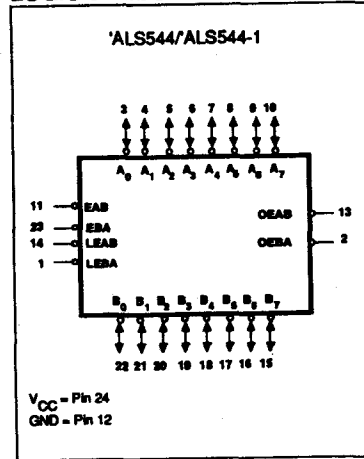
Bus Transceivers

74ALS543, 74ALS543-1, 74ALS544, 74ALS544-1

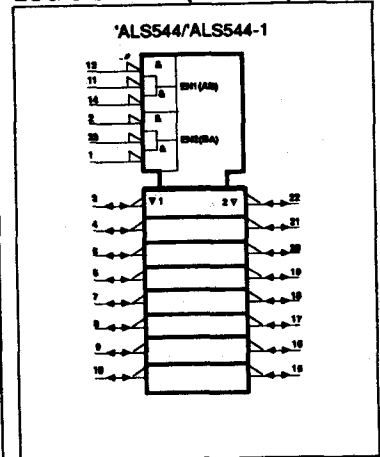
PIN CONFIGURATION



LOGIC SYMBOL



LOGIC SYMBOL (IEEE/IEC)



FUNCTIONAL DESCRIPTION

The 'ALS543/ALS543-1 and 'ALS544/ALS544-1 contain two sets of eight D-type latches, with separate input and controls for each set. For data flow from A to B, for example, the A-to-B Enable (EAB) input must be Low in order to enter data from A₀-A₇ or take

data from B₀-B₇, as indicated in the Function Table. With EAB Low, a Low signal on the A-to-B Latch Enable (LEAB) input makes the A-to-B latches transparent; a subsequent Low-to-High transition of the LEAB signal puts the A latches in the storage mode and their outputs

no longer change with the A inputs. With EAB and OEAB both Low, the 3-state B output buffers are active and display the data present at the outputs of the A latches. Control of data flow from B to A is similar, but using the EBA, LEBA, and OEBA inputs.

FUNCTION TABLE for 'ALS543/ALS543-1 and 'ALS544/ALS544-1

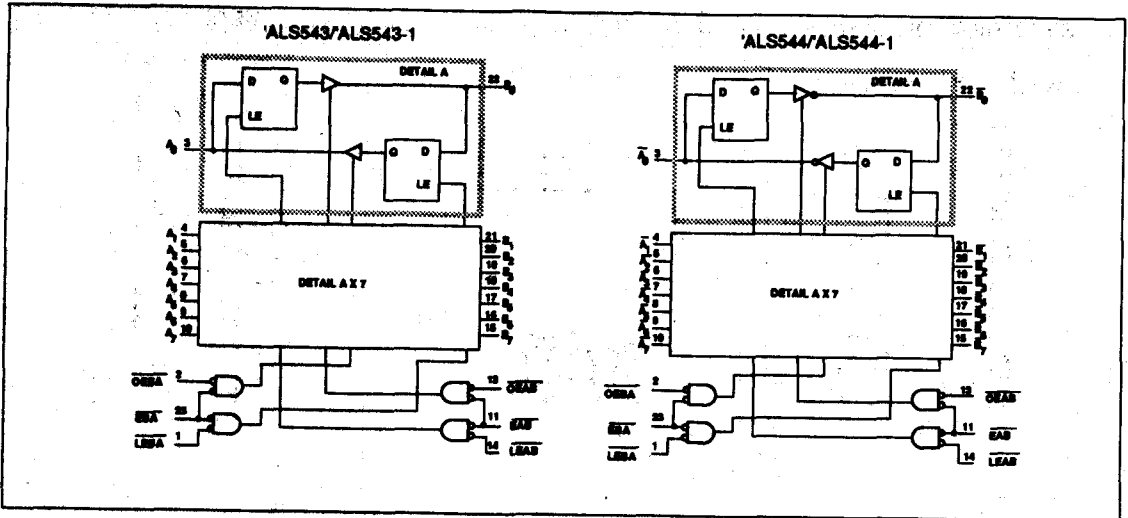
INPUTS				OUTPUTS		STATUS
OEXX	EXX	LEXX	DATA	'543/543-1	'544/544-1	
H	X	X	X	Z	Z	Disabled
X	H	X	X	Z	Z	Disabled
L	↑	L	h	Z	Z	Disabled + Latch
L	↑	L	l	Z	Z	
L	L	↑	h	H	L	Latch + Display
L	L	↑	l	L	H	
L	L	L	H	H	L	Transparent
L	L	L	L	L	H	
L	L	H	X	NC	NC	Hold

H= High voltage level
 L= Low voltage level
 h= High state must be present one setup time before the Low-to-High transition of LEXX or EXX (XX=AB or BA)
 l= Low state must be present one setup time before the Low-to-High transition of LEXX or EXX (XX=AB or BA)
 ↑ =Low-to-High transition of LEXX or EXX (XX=AB or BA)
 X=Don't care
 NC=No change
 Z =High impedance "off" state

Bus Transceivers

74ALS543, 74ALS543-1, 74ALS544, 74ALS544-1

LOGIC DIAGRAM



ABSOLUTE MAXIMUM RATINGS (Operation beyond the limits set forth in this table may impair the useful life of the device. Unless otherwise noted these limits are over the operating free-air temperature range.)

SYMBOL	PARAMETER	RATING	UNIT
V_{CC}	Supply voltage	-0.5 to +7.0	V
V_{IN}	Input voltage	-0.5 to +7.0	V
I_{IN}	Input current	-30 to +5	mA
V_{OUT}	Voltage applied to output in High output state	-0.5 to +5.5	V
I_{OUT}	Current applied to output in Low output state	All versions	48
		-1 versions	96
T_A	Operating free-air temperature range	0 to +70	°C
T_{STG}	Storage temperature	-65 to +150	°C

RECOMMENDED OPERATING CONDITIONS

SYMBOL	PARAMETER	LIMITS			UNIT
		Min	Nom	Max	
V_{CC}	Supply voltage	4.5	5.0	5.5	V
V_H	High-level input voltage	2.0			V
V_L	Low-level input voltage			0.8	V
I_{IK}	Input clamp current			-18	mA
I_{OH}	High-level output current			-15	mA
I_{OL}	Low-level output current	All versions		24	mA
		-1 versions		48	mA
T_A	Operating free-air temperature range	0		70	°C

NOTE 1. The 48mA limit applies only under the condition of $V_{CC}=5.0V \pm 5\%$.

Bus Transceivers

74ALS543, 74ALS543-1, 74ALS544, 74ALS544-1

DC ELECTRICAL CHARACTERISTICS (Over recommended operating free-air temperature range unless otherwise noted.)

SYMBOL	PARAMETER		TEST CONDITIONS ¹			LIMITS			UNIT
						Min	Typ ²	Max	
V_{OH}	High-level output voltage		$V_{CC} \pm 10\%$	$V_{IL} = \text{MAX}$ $V_{IH} = \text{MIN}$	$I_{OH} = -0.4\text{mA}$	$V_{CC} - 2$			V
			$V_{CC} = \text{MIN}$		$I_{OH} = -3\text{mA}$	2.4	3.2		V
					$I_{OH} = -15\text{mA}$	2.0			V
V_{OL}	Low-level output voltage	All versions	$V_{CC} = \text{MIN}$	$V_{IL} = \text{MAX}$ $V_{IH} = \text{MIN}$	$I_{OL} = 12\text{mA}$		0.25	0.4	V
		-1 versions			$V_{CC} = 4.75\text{V}$	$I_{OL} = 24\text{mA}$		0.35	0.5
							$I_{OL} = 48\text{mA}$		0.35
V_{IK}	Input clamp voltage		$V_{CC} = \text{MIN}, I_I = I_{IK}$				-0.73	-1.2	V
I_I	Input current at maximum input voltage	Control inputs	$V_{CC} = \text{MAX}, V_I = 7.0\text{V}$					0.1	mA
		A or B ports	$V_{CC} = \text{MAX}, V_I = 5.5\text{V}$					0.1	mA
I_{IH}	High-level input current ³		$V_{CC} = \text{MAX}, V_I = 2.7\text{V}$					20	μA
I_{IL}	Low-level input current ³		$V_{CC} = \text{MAX}, V_I = 0.4\text{V}$					-0.2	mA
I_O	Short-circuit output current ⁴		$V_{CC} = \text{MAX}, V_O = 2.25\text{V}$			-30		-112	mA
I_{CC}	Supply current (total)	'ALS543/ 'ALS543-1	$V_{CC} = \text{MAX}$	I_{CCH}		47	76	mA	
				I_{CCL}		55	88	mA	
				I_{CCZ}		55	88	mA	
		'ALS544/ 'ALS544-1		I_{CCH}		47	76	mA	
				I_{CCL}		57	88	mA	
				I_{CCZ}		57	88	mA	

NOTES:

- For conditions shown as MIN or MAX, use the appropriate value specified under recommended operating conditions for the applicable type.
- All typical values are at $V_{CC} = 5\text{V}, T_A = 25^\circ\text{C}$.
- For I/O ports, the parameters I_{IH} and I_{IL} include the off-state current.
- The output conditions have been chosen to produce current that closely approximates one half of the true short-circuit output current, I_{OC} .

Bus Transceivers

74ALS543, 74ALS543-1, 74ALS544, 74ALS544-1

AC ELECTRICAL CHARACTERISTICS for 'ALS543/ALS543-1

SYMBOL	PARAMETER	TEST CONDITION	LIMITS		UNIT
			$T_A = 0^\circ\text{C to } +70^\circ\text{C}$		
			$V_{CC} = 5V \pm 10\%$ $C_L = 50\text{pF}$ $R_L = 500\Omega$		
			Min	Max	
t_{PLH} t_{PHL}	Propagation delay A_n to B_n	Waveform 2	3 3	15 15	ns
t_{PLH} t_{PHL}	Propagation delay B_n to A_n	Waveform 2	3 3	12 12	ns
t_{PLH} t_{PHL}	Propagation delay LEBA to A_n	Waveform 1, 2	4 4	11 11	ns
t_{PLH} t_{PHL}	Propagation delay LEAB to B_n	Waveform 1, 2	4 4	11 11	ns
t_{PZH} t_{PZL}	Output Enable time OEBA or OEAB to A_n or B_n	Waveform 4 Waveform 5	2 2	15 15	ns
t_{PHZ} t_{PLZ}	Output Disable time OEBA or OEAB to A_n or B_n	Waveform 4 Waveform 5	2 2	15 15	ns
t_{PZH} t_{PZL}	Output Enable time EBA or EAB to A_n or B_n	Waveform 4 Waveform 5	2 2	15 15	ns
t_{PHZ} t_{PLZ}	Output Disable time EBA or EAB to A_n or B_n	Waveform 4 Waveform 5	2 2	15 15	ns

AC SETUP REQUIREMENTS for 'ALS543/ALS543-1

SYMBOL	PARAMETER	TEST CONDITION	LIMITS		UNIT
			$T_A = 0^\circ\text{C to } +70^\circ\text{C}$		
			$V_{CC} = 5V \pm 10\%$ $C_L = 50\text{pF}$ $R_L = 500\Omega$		
			Min	Max	
$t_s(H)$ $t_s(L)$	Setup time, High or Low A_n or B_n to LEAB, LEBA, EAB, or EBA	Waveform 3	10		ns
$t_h(H)$ $t_h(L)$	Hold time, High or Low A_n or B_n to LEAB, LEBA, EAB, or EBA	Waveform 3	0 0		ns
$t_w(L)$	Latch enable Pulse width, Low	Waveform 3	10		ns

Bus Transceivers

74ALS543, 74ALS543-1, 74ALS544, 74ALS544-1

AC ELECTRICAL CHARACTERISTICS for 'ALS544/'ALS544-1

SYMBOL	PARAMETER	TEST CONDITION	LIMITS		UNIT
			$T_A = 0^\circ\text{C to } +70^\circ\text{C}$ $V_{CC} = 5V \pm 10\%$ $C_L = 50\text{pF}$ $R_L = 500\Omega$		
			Min	Max	
t_{PLH} t_{PHL}	Propagation delay A_n to B_n	Waveform 1	3 3	15 15	ns
t_{PLH} t_{PHL}	Propagation delay B_n to A_n	Waveform 1	3 3	12 12	ns
t_{PLH} t_{PHL}	Propagation delay LEBA to A_n	Waveform 1, 2	4 4	11 11	ns
t_{PLH} t_{PHL}	Propagation delay LEAB to B_n	Waveform 1, 2	4 4	11 11	ns
t_{PZH} t_{PZL}	Output Enable time OEBA or OEAB to A_n or B_n	Waveform 4 Waveform 5	2 2	15 15	ns
t_{PHZ} t_{PLZ}	Output Disable time OEBA or OEAB to A_n or B_n	Waveform 4 Waveform 5	2 2	15 15	ns
t_{PZH} t_{PZL}	Output Enable time EBA or EAB to A_n or B_n	Waveform 4 Waveform 5	2 2	15 15	ns
t_{PHZ} t_{PLZ}	Output Disable time EBA or EAB to A_n or B_n	Waveform 4 Waveform 5	2 2	15 15	ns

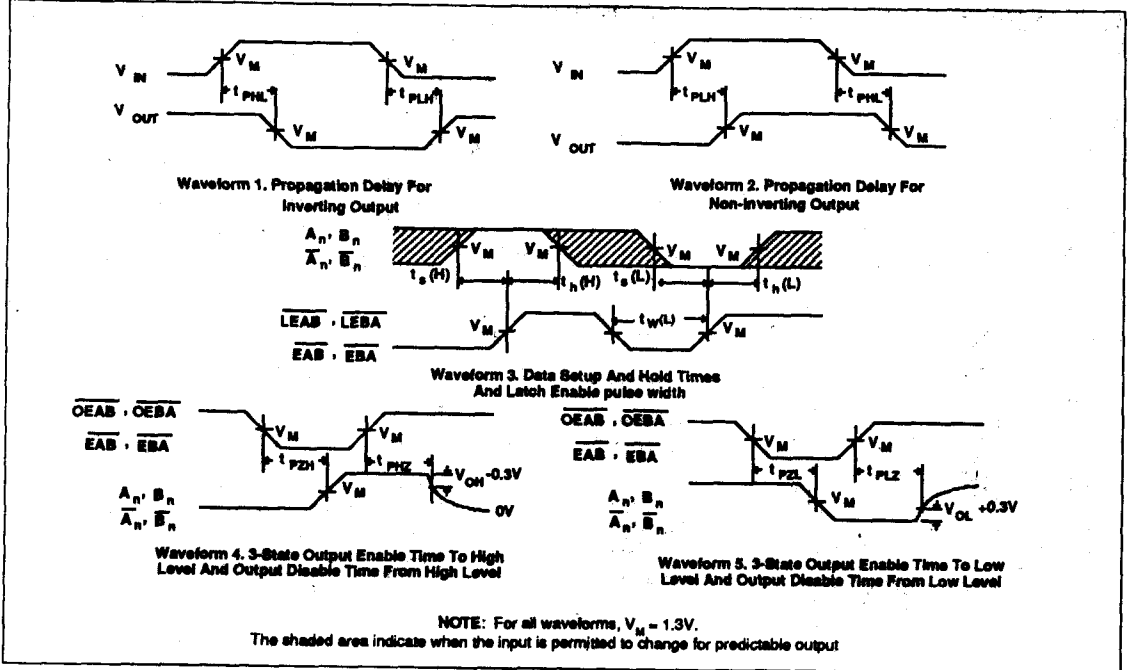
AC SETUP REQUIREMENTS for 'ALS544/'ALS544-1

SYMBOL	PARAMETER	TEST CONDITION	LIMITS		UNIT
			$T_A = 0^\circ\text{C to } +70^\circ\text{C}$ $V_{CC} = 5V \pm 10\%$ $C_L = 50\text{pF}$ $R_L = 500\Omega$		
			Min	Max	
$t_{s(H)}$ $t_{s(L)}$	Setup time, High or Low A_n or B_n to LEAB, LEBA, EAB, or EBA	Waveform 3	10 10		ns
$t_{h(H)}$ $t_{h(L)}$	Hold time, High or Low A_n or B_n to LEAB, LEBA, EAB, or EBA	Waveform 3	0 0		ns
$t_{w(L)}$	Latch enable Pulse width, Low	Waveform 3	10		ns

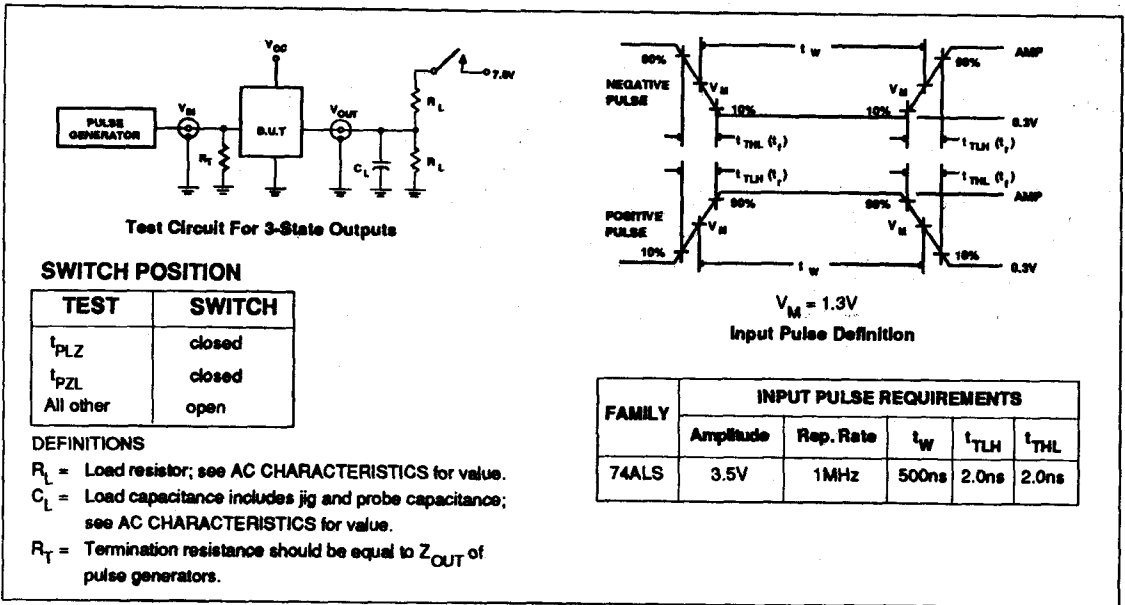
Bus Transceivers

74ALS543, 74ALS543-1, 74ALS544, 74ALS544-1

AC WAVEFORMS



TEST CIRCUIT AND WAVEFORMS



74ALS563A, 74ALS564A

Latch/Flip-Flops

74ALS563A Octal Transparent Latch, Inverting (3-State)
 74ALS564A Octal D Flip-Flop, Inverting (3-State)

Product Specification

FEATURES

- 74ALS563A is broadside pinout and inverting version of 74ALS373
- 74ALS564A is broadside pinout and inverting version of 74ALS374
- Inputs and Outputs on opposite side of package allow easy interface to Microprocessors
- Useful as an Input or Output port for Microprocessors
- 3-State Outputs for Bus Interfacing
- Common Output Enable
- 74ALS573B and 74ALS574A are non-inverting versions of 74ALS563A and 74ALS564A respectively

DESCRIPTION

The 74ALS563A is an octal transparent latch coupled to eight 3-State output buffers. The two sections of the device are controlled independently by Enable (E) and Output Enable (OE) control gates. The 74ALS563A is a complementary version of the 74ALS373 and has a broadside pinout configuration to facilitate PC board layout and allow easy interface with microprocessors.

TYPE	TYPICAL PROPAGATION DELAY	TYPICAL SUPPLY CURRENT (TOTAL)
74ALS563A	6.0ns	12mA
74ALS564A	6.0ns	15mA

ORDERING INFORMATION

PACKAGES	COMMERCIAL RANGE $V_{CC} = 5V \pm 10\%$; $T_A = 0^\circ C$ to $+70^\circ C$
20-Pin Plastic DIP	74ALS563AN, 74ALS564AN
20-Pin Plastic SOL	74ALS563AD, 74ALS564AD

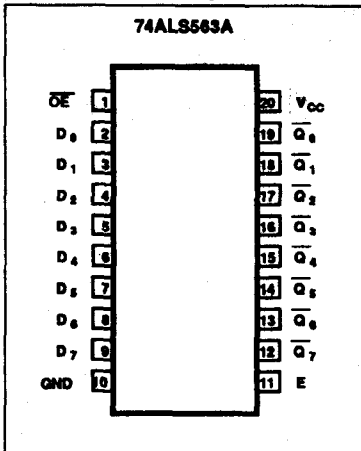
INPUT AND OUTPUT LOADING AND FAN-OUT TABLE

PINS	DESCRIPTION	74ALS(U.L.) HIGH/LOW	LOAD VALUE HIGH/LOW
$D_0 - D_7$	Data inputs	1.0/2.0	20 μ A/0.2mA
E (ALS563A)	Latch enable input	1.0/1.0	20 A/0.1mA
OE	Output enable input (active Low)	1.0/1.0	20 μ A/0.1mA
CP (ALS564A)	Clock Pulse input (Active rising edge)	1.0/2.0	20 A/0.2mA
$Q_0 - Q_7$	Data outputs	130/240	2.8mA/24mA

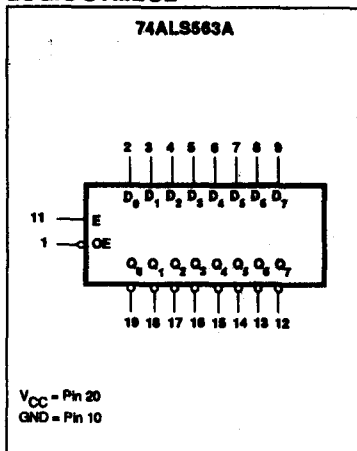
NOTE:

One (1.0) ALS Unit Load is defined as: 20 μ A in the High state and 0.1mA in the Low state.

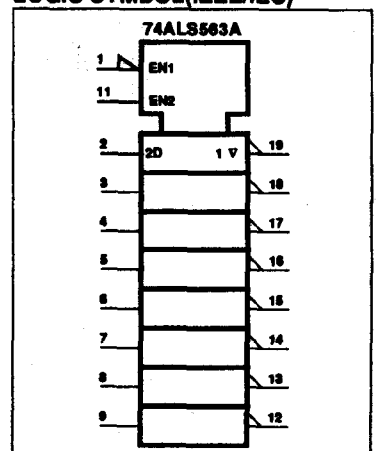
PIN CONFIGURATION



LOGIC SYMBOL



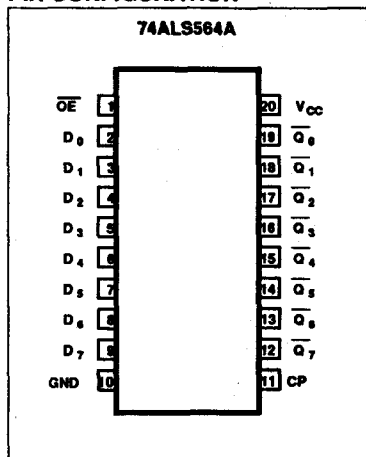
LOGIC SYMBOL (IEEE/IEC)



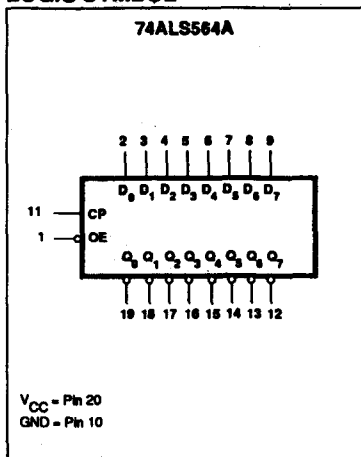
Latch/Flip-Flops

74ALS563A, 74ALS564A

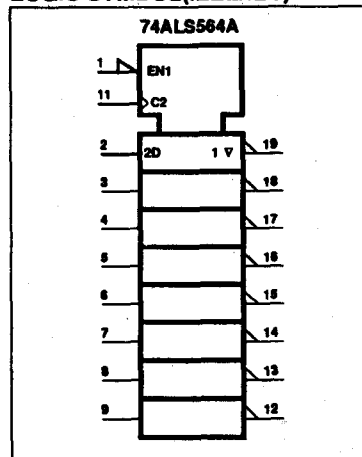
PIN CONFIGURATION



LOGIC SYMBOL



LOGIC SYMBOL (IEEE/IEC)



The data on the D inputs is inverted and transferred to the latch outputs when the Enable (E) input is High. The latch remains transparent to the data input while E is High and stores the inverted data that is present one set-up time before the High-to-Low enable transition.

The 74ALS564A is a complementary version of the 74ALS374 and has a broadside pinout configuration to facilitate

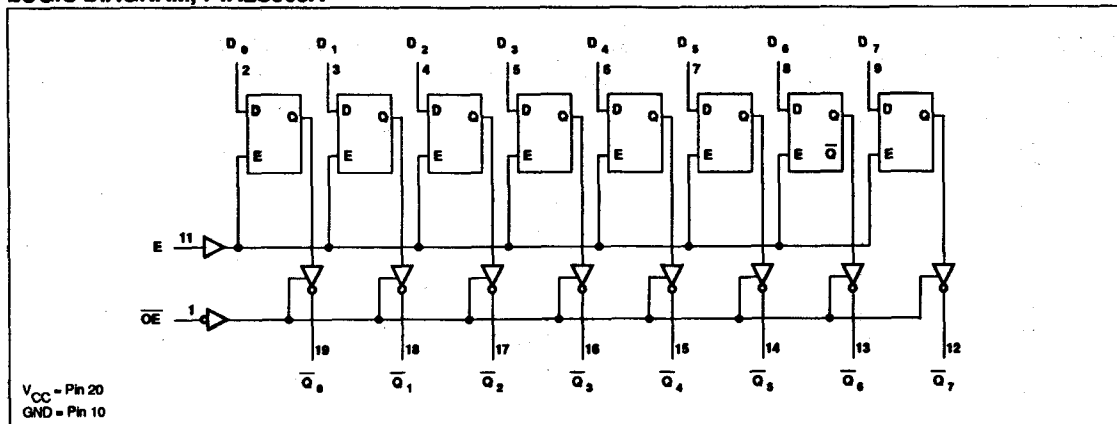
PC board layout and allow easy interface with microprocessors. It is an 8-bit, edge triggered register coupled to eight 3-State output buffers. The two sections of the device are controlled independently by the clock (CP) and Output Enable (\overline{OE}) control gates.

The register is fully edge triggered. The state of each D input, one set-up time before the Low-to-High clock transition is inverted and transferred to the corre-

sponding flip-flop's Q output.

The active Low Output Enable (\overline{OE}) controls all eight 3-State buffers. When \overline{OE} is Low, the stored or transparent data appears at the outputs. When \overline{OE} is High, the outputs are in high impedance "off" state, which means they will neither drive nor load the bus.

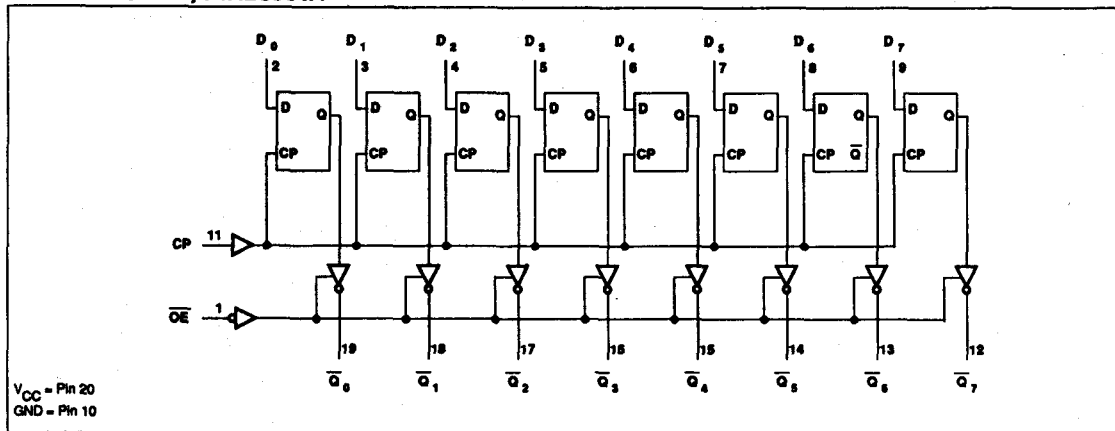
LOGIC DIAGRAM, 74ALS563A



Latch/Flip-Flops

74ALS563A, 74ALS564A

LOGIC DIAGRAM, 74ALS564A



FUNCTION TABLE, 74ALS563A

INPUTS			INTERNAL REGISTER	OUTPUTS $Q_0 - Q_7$	OPERATING MODE
\overline{OE}	E	D_n			
L	H	L	L	H	Enable and read register
L	H	H	H	L	
L	↓	l	L	H	Latch and read register
L	↓	h	H	L	
L	L	X	NC	NC	Hold
H	L	X	NC	Z	Disable outputs
H	H	D_n	D_n	Z	

- H = High voltage level
- h = High voltage level one set-up time prior to the High-to-Low E transition
- L = Low voltage level
- l = Low voltage level one set-up time prior to the High-to-Low E transition
- NC = No change
- X = Don't care
- Z = High impedance "off" state
- ↓ = High-to-Low E transition

FUNCTION TABLE, 74ALS564A

INPUTS			INTERNAL REGISTER	OUTPUTS $Q_0 - Q_7$	OPERATING MODE
\overline{OE}	CP	D_n			
L	↑	l	L	H	Load and read register
L	↑	h	H	L	
L	‡	X	NC	NC	Hold
H	↑	D_n	D_n	Z	Disable outputs
H	X	X'	X'	Z	

- H = High voltage level
- h = High voltage level one set-up time prior to the Low-to-High clock transition
- L = Low voltage level
- l = Low voltage level one set-up time prior to the Low-to-High clock transition
- NC = No change
- X = Don't care
- Z = High impedance "off" state
- ↑ = Low-to-High clock transition
- ‡ = Not a Low-to-High clock transition

Latch/Flip-Flops

74ALS563A, 74ALS564A

ABSOLUTE MAXIMUM RATINGS (Operation beyond the limits set forth in this table may impair the useful life of the device.
Unless otherwise noted these limits are over the operating free-air temperature range.)

SYMBOL	PARAMETER	RATING	UNIT
V_{CC}	Supply voltage	-0.5 to +7.0	V
V_{IN}	Input voltage	-0.5 to +7.0	V
I_{IN}	Input current	-30 to +5	mA
V_{OUT}	Voltage applied to output in High output state	-0.5 to $+V_{CC}$	V
I_{OUT}	Current applied to output in Low output state	48	mA
T_A	Operating free-air temperature range	0 to +70	°C
T_{STG}	Storage temperature	-65 to +150	°C

RECOMMENDED OPERATING CONDITIONS

SYMBOL	PARAMETER	LIMITS			UNIT
		Min	Nom	Max	
V_{CC}	Supply voltage	4.5	5.0	5.5	V
V_{IH}	High-level input voltage	2.0			V
V_{IL}	Low-level input voltage			0.8	V
I_K	Input clamp current			-18	mA
I_{OH}	High-level output current			-2.6	mA
I_{OL}	Low-level output current			24	mA
T_A	Operating free-air temperature range	0		70	°C

Latch/Flip-Flops

74ALS563A, 74ALS564A

DC ELECTRICAL CHARACTERISTICS (Over recommended operating free-air temperature range unless otherwise noted.)

SYMBOL	PARAMETER		TEST CONDITIONS ¹		LIMITS			UNIT
					Min	Typ ²	Max	
V_{OH}	High-level output voltage		$V_{CC} \pm 10\%$, $V_{IL} = \text{MAX}$, $V_{IH} = \text{MIN}$	$I_{OH} = -0.4\text{mA}$	$V_{CC} - 2$			V
			$V_{CC} = \text{MIN}$, $V_{IL} = \text{MAX}$, $V_{IH} = \text{MIN}$	$I_{OH} = \text{MAX}$	2.4	3.2		V
V_{OL}	Low-level output voltage		$V_{CC} = \text{MIN}$, $V_{IL} = \text{MAX}$ $V_{IH} = \text{MIN}$	$I_{OL} = 12\text{mA}$		0.25	0.4	V
				$I_{OL} = 24\text{mA}$		0.35	0.5	V
V_{IK}	Input clamp voltage		$V_{CC} = \text{MIN}$, $I_I = I_{IK}$			-0.73	-1.2	V
I_I	Input current at maximum input voltage		$V_{CC} = \text{MAX}$, $V_I = 7.0\text{V}$				100	μA
I_{IH}	High-level input current		$V_{CC} = \text{MAX}$, $V_I = 2.7\text{V}$				20	μA
I_{IL}	Low-level input current	74ALS563A	$V_{CC} = \text{MAX}$, $V_I = 0.4\text{V}$				-0.1	mA
		74ALS564A					-0.2	mA
I_{OZH}	Off-state output current, High-level voltage applied		$V_{CC} = \text{MAX}$, $V_O = 2.7\text{V}$				20	μA
I_{OZL}	Off-state output current, Low-level voltage applied		$V_{CC} = \text{MAX}$, $V_O = 0.4\text{V}$				-20	μA
I_O	Output current ³		$V_{CC} = \text{MAX}$, $V_O = 2.25\text{V}$		-30		-112	mA
I_{CC}	Supply current (total)	74ALS563A	$V_{CC} = \text{MAX}$	I_{CCH}		7	12	mA
				I_{CCL}		13	21	mA
				I_{CCZ}		15	24	mA
		74ALS564A		I_{CCH}		11	18	mA
				I_{CCL}		17	27	mA
				I_{CCZ}		18	28	mA

NOTES:

- For conditions shown as MIN or MAX, use the appropriate value specified under recommended operating conditions for the applicable type.
- All typical values are at $V_{CC} = 5\text{V}$, $T_A = 25^\circ\text{C}$.
- The output conditions have been chosen to produce a current that closely approximates one half of the true short-circuit current, I_{OS} .

Latch/Flip-Flops

74ALS563A, 74ALS564A

AC ELECTRICAL CHARACTERISTICS

SYMBOL	PARAMETER	TEST CONDITION	LIMITS		UNIT
			$T_A = 0^\circ\text{C to } +70^\circ\text{C}$ $V_{CC} = 5V \pm 10\%$ $C_L = 50\text{pF}$ $R_L = 500\Omega$		
			Min	Max	
t_{PLH} t_{PHL}	Propagation delay D_n to \bar{Q}_n	Waveform 2	2.0	10.0	ns
t_{PLH} t_{PHL}	Propagation delay E to \bar{Q}_n		3.0	10.0	
t_{PZH} t_{PZL}	Output Enable time to High or Low level	Waveform 4 Waveform 5	1.0 3.0	9.0 11.0	ns
t_{PHZ} t_{PLZ}	Output Disable time to High or Low level	Waveform 4 Waveform 5	1.0 2.0	9.0 11.0	
f_{MAX}	Maximum Clock frequency	Waveform 1	50		MHz
t_{PLH} t_{PHL}	Propagation delay CP to \bar{Q}_n	Waveform 1	3.0	12.0	ns
t_{PZH} t_{PZL}	Output Enable time to High or Low level		4.0	12.0	
t_{PZH} t_{PZL}	Output Enable time to High or Low level	Waveform 4 Waveform 5	1.0 3.0	9.0 11.0	ns
t_{PHZ} t_{PLZ}	Output Disable time to High or Low level	Waveform 4 Waveform 5	1.0 2.0	9.0 11.0	

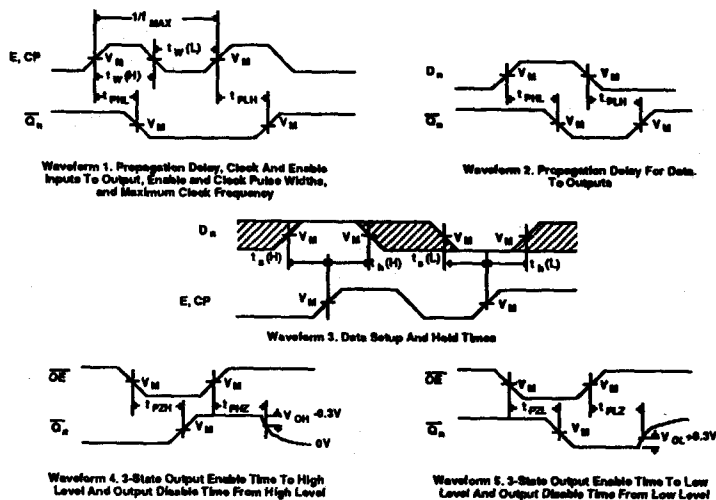
AC SETUP REQUIREMENTS

SYMBOL	PARAMETER	TEST CONDITION	LIMITS		UNIT
			$T_A = 0^\circ\text{C to } +70^\circ\text{C}$ $V_{CC} = 5V \pm 10\%$ $C_L = 50\text{pF}$ $R_L = 500\Omega$		
			Min	Max	
$t_s(H)$ $t_s(L)$	Set-up time D_n to E	Waveform 3 Waveform 3	6.0		ns
$t_h(H)$ $t_h(L)$	Hold time D_n to E	Waveform 3 Waveform 3	6.0		
$t_w(H)$	E Pulse width, High	Waveform 1	10.0		ns
$t_s(H)$ $t_s(L)$	Set-up time D_n to CP	Waveform 3 Waveform 3	6.0		ns
$t_h(H)$ $t_h(L)$	Hold time D_n to CP	Waveform 3 Waveform 3	1.0		
$t_w(H)$ $t_w(L)$	CP Pulse width, High or Low	Waveform 1 Waveform 1	7.0	11.0	ns

Latch/Flip-Flops

74ALS563A, 74ALS564A

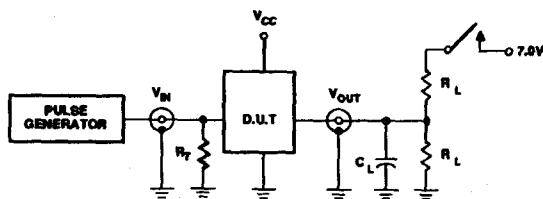
AC WAVEFORMS



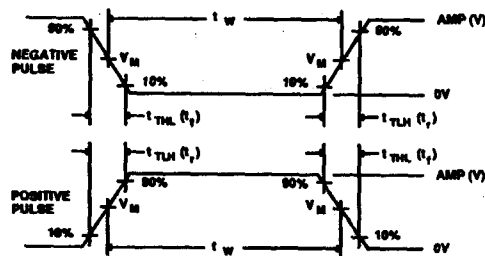
NOTE: For all waveforms, $V_M = 1.3V$.

The shaded areas indicate when the input is permitted to change for predictable output performance.

TEST CIRCUIT AND WAVEFORMS



Test Circuit For 3-State Outputs



$V_M = 1.3V$

Input Pulse Definition

SWITCH POSITION

TEST	SWITCH
t_{PLZ}	closed
t_{PZL}	closed

DEFINITIONS

- R_L = Load resistor; see AC CHARACTERISTICS for value.
- C_L = Load capacitance includes jig and probe capacitance; see AC CHARACTERISTICS for value.
- R_T = Termination resistance should be equal to Z_{OUT} of pulse generators.

FAMILY	INPUT PULSE REQUIREMENTS				
	Amplitude	Rep. Rate	t_W	t_{TLH}	t_{THL}
74ALS	3.5V	1MHz	500ns	2.0ns	2.0ns

74ALS573B, 74ALS574A

Latch/Flip-Flops

74ALS573B Octal Transparent Latch (3-State)

74ALS574A Octal D Flip-Flop (3-State)

Product Specification

FEATURES

- 74ALS573B is broadside pinout version of 74ALS373
- 74ALS574A is broadside pinout version of 74ALS374
- Inputs and Outputs on opposite side of package allow easy interface to Microprocessors
- Useful as an input or Output port for Microprocessors
- 3-State Outputs for Bus Interfacing
- Common Output Enable
- 74ALS583A and 74ALS564A are inverting version of 74ALS573B and 74ALS574A respectively

DESCRIPTION

The 74ALS573B is an octal transparent latch coupled to eight 3-State output buffers. The two sections of the device are controlled independently by Enable (E) and Output Enable (OE) control gates. The 74ALS573B is functionally identical to the 74ALS373 but has a broadside pinout configuration to facilitate PC board layout and allow easy interface with microprocessors.

TYPE	TYPICAL PROPAGATION DELAY	TYPICAL SUPPLY CURRENT (TOTAL)
74ALS573B	5.0ns	12mA
74ALS574A	6.0ns	15mA

ORDERING INFORMATION

PACKAGES	COMMERCIAL RANGE
	$V_{CC} = 5V \pm 10\%$; $T_A = 0^\circ C$ to $+70^\circ C$
20-Pin Plastic DIP	74ALS573BN, 74ALS574AN
20-Pin Plastic SOL	74ALS573BD, 74ALS574AD

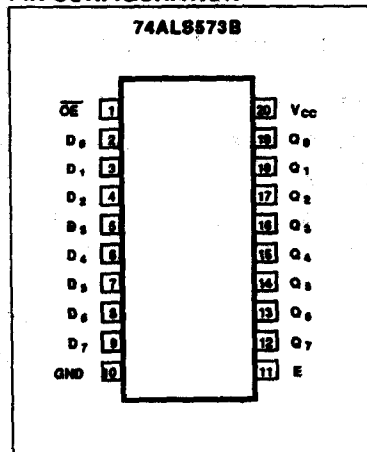
INPUT AND OUTPUT LOADING AND FAN-OUT TABLE

PINS	DESCRIPTION	74ALS(U.L.) HIGH/LOW	LOAD VALUE HIGH/LOW
$D_0 - D_7$	Data inputs	1.0/2.0	20 μ A/0.2mA
E ('ALS573B)	Latch enable input	1.0/1.0	20 A/0.1mA
OE	Output enable input (active Low)	1.0/1.0	20 μ A/0.1mA
CP ('ALS574A)	Clock Pulse input (Active rising edge)	1.0/2.0	20 A/0.2mA
$Q_0 - Q_7$	Data outputs	130/240	2.6mA/24mA

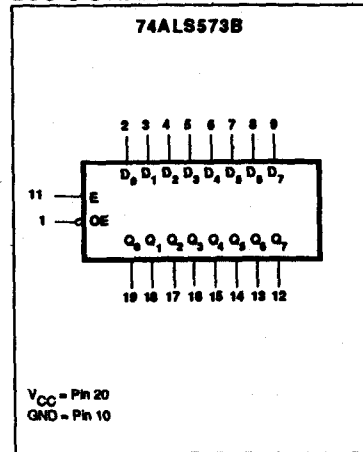
NOTE:

One (1.0) ALS Unit Load is defined as: 20 μ A in the High state and 0.1mA in the Low state.

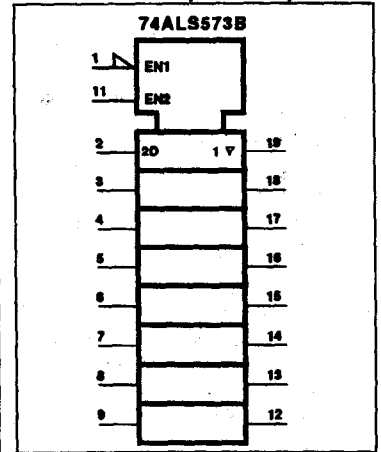
PIN CONFIGURATION



LOGIC SYMBOL



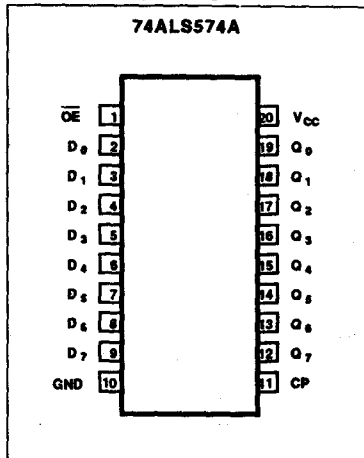
LOGIC SYMBOL (IEEE/IEC)



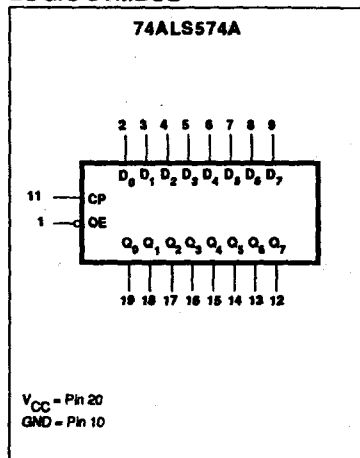
Latches/Flip-Flops

74ALS573B, 74ALS574A

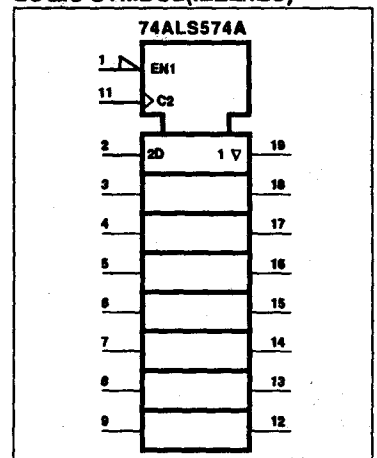
PIN CONFIGURATION



LOGIC SYMBOL



LOGIC SYMBOL (IEEE/IEC)



The data on the D inputs is transferred to the latch outputs when the Enable (E) input is High. The latch remains transparent to the data input while E is High and stores the data that is present one set-up time before the High-to-Low enable transition.

The 74ALS574A is functionally identical to the 74ALS374 but has a broaside pinout configuration to facilitate PC board

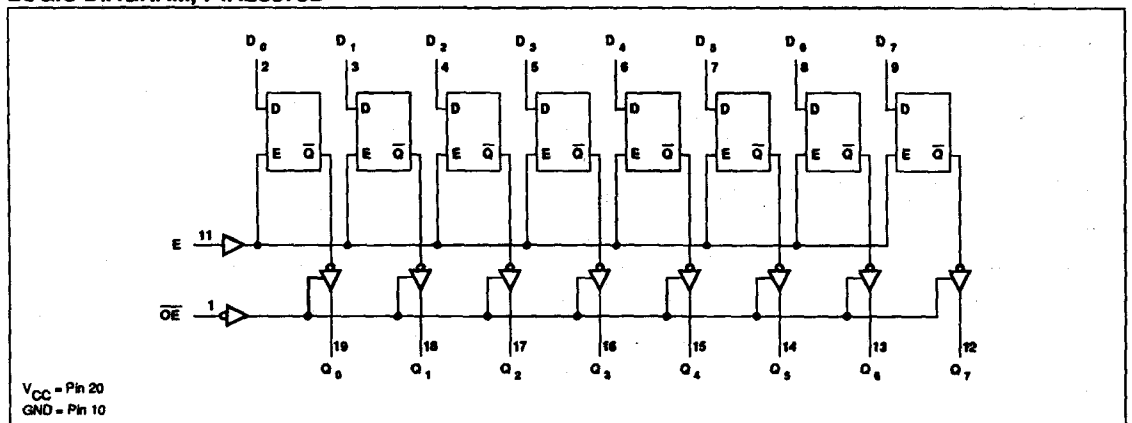
layout and allow easy interface with microprocessors. It is an 8-bit, edge triggered register coupled to eight 3-State output buffers. The two sections of the device are controlled independently by the clock (CP) and Output Enable (OE) control gates.

The register is fully edge triggered. The state of each D input, one set-up time before the Low-to-High clock transition is transferred to the corresponding flip-

flop's Q output.

The active Low Output Enable (OE) controls all eight 3-State buffers. When OE is Low, the stored or transparent data appears at the outputs. When OE is High, the outputs are in high impedance "off" state, which means they will neither drive nor load the bus.

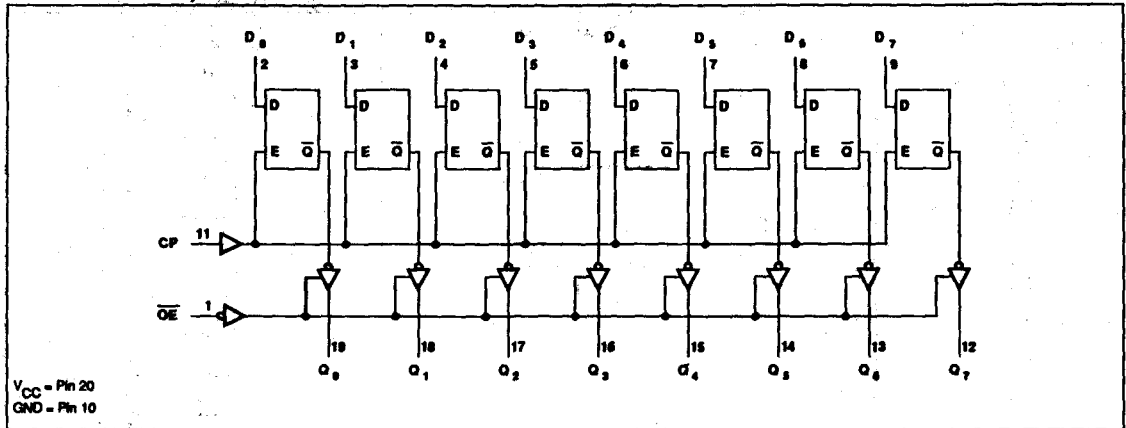
LOGIC DIAGRAM, 74ALS573B



Latches/Flip-Flops

74ALS573B, 74ALS574A

LOGIC DIAGRAM, 74ALS574A



FUNCTION TABLE, 74ALS573B

INPUTS			INTERNAL REGISTER	OUTPUTS Q ₀ - Q ₇	OPERATING MODE
OE	E	D _n			
L	H	L	L	L	Enable and read register
L	H	H	H	H	
L	↓	l	L	L	Latch and read register
L	↓	h	H	H	
L	L	X	NC	NC	Hold
H	L	X	NC	Z	Disable outputs
H	H	D _n	D _n	Z	

- H = High voltage level
- h = High voltage level one set-up time prior to the High-to-Low E transition
- L = Low voltage level
- l = Low voltage level one set-up time prior to the High-to-Low E transition
- NC = No change
- X = Don't care
- Z = High impedance "off" state
- ↓ = High-to-Low E transition

FUNCTION TABLE, 74ALS574A

INPUTS			INTERNAL REGISTER	OUTPUTS Q ₀ - Q ₇	OPERATING MODE
OE	CP	D _n			
L	↑	l	L	L	Load and read register
L	↑	h	H	H	
L	‡	X	NC	NC	Hold
H	↑	D _n	D _n	Z	Disable outputs
H	X	X	X	Z	

- H = High voltage level
- h = High voltage level one set-up time prior to the Low-to-High clock transition
- L = Low voltage level
- l = Low voltage level one set-up time prior to the Low-to-High clock transition
- NC = No change
- X = Don't care
- Z = High impedance "off" state
- ↑ = Low-to-High clock transition
- ‡ = Not a Low-to-High clock transition

Latches/Flip-Flops

74ALS573B, 74ALS574A

ABSOLUTE MAXIMUM RATINGS (Operation beyond the limits set forth in this table may impair the useful life of the device. Unless otherwise noted these limits are over the operating free-air temperature range.)

SYMBOL	PARAMETER	RATING	UNIT
V_{CC}	Supply voltage	-0.5 to +7.0	V
V_{IN}	Input voltage	-0.5 to +7.0	V
I_{IN}	Input current	-30 to +5	mA
V_{OUT}	Voltage applied to output in High output state	-0.5 to V_{CC}	V
I_{OUT}	Current applied to output in Low output state	48	mA
T_A	Operating free-air temperature range	0 to +70	°C
T_{STG}	Storage temperature	-65 to +150	°C

RECOMMENDED OPERATING CONDITIONS

SYMBOL	PARAMETER	LIMITS			UNIT
		Min	Nom	Max	
V_{CC}	Supply voltage	4.5	5.0	5.5	V
V_{IH}	High-level input voltage	2.0			V
V_{IL}	Low-level input voltage			0.8	V
I_K	Input clamp current			-18	mA
I_{OH}	High-level output current			-2.6	mA
I_{OL}	Low-level output current			24	mA
T_A	Operating free-air temperature range	0		70	°C

Latches/Flip-Flops

74ALS573B, 74ALS574A

DC ELECTRICAL CHARACTERISTICS (Over recommended operating free-air temperature range unless otherwise noted.)

SYMBOL	PARAMETER		TEST CONDITIONS ¹		LIMITS			UNIT		
					Min	Typ ²	Max			
V_{OH}	High-level output voltage		$V_{CC} \pm 10\%$, $V_L = \text{MAX}$, $V_H = \text{MIN}$	$I_{OH} = -0.4\text{mA}$	V_{CC}^{-2}			V		
			$V_{CC} = \text{MIN}$, $V_L = \text{MAX}$, $V_H = \text{MIN}$	$I_{OH} = \text{MAX}$	2.4	3.2		V		
V_{OL}	Low-level output voltage		$V_{CC} = \text{MIN}$, $V_L = \text{MAX}$	$I_{OL} = 12\text{mA}$		0.25	0.4	V		
			$V_H = \text{MIN}$	$I_{OL} = 24\text{mA}$		0.35	0.5	V		
V_{IK}	Input clamp voltage		$V_{CC} = \text{MIN}$, $I_I = I_{IK}$			-0.73	-1.2	V		
I_I	Input current at maximum input voltage		$V_{CC} = \text{MAX}$, $V_I = 7.0\text{V}$				100	μA		
I_{IH}	High-level input current		$V_{CC} = \text{MAX}$, $V_I = 2.7\text{V}$				20	μA		
I_{IL}	Low-level input current	74ALS573B	$V_{CC} = \text{MAX}$, $V_I = 0.4\text{V}$				-0.1	mA		
		74ALS574A					-0.2	mA		
I_{OZH}	Off-state output current, High-level voltage applied		$V_{CC} = \text{MAX}$, $V_O = 2.7\text{V}$				20	μA		
I_{OZL}	Off-state output current, Low-level voltage applied		$V_{CC} = \text{MAX}$, $V_O = 0.4\text{V}$				-20	μA		
I_O	Output current ³		$V_{CC} = \text{MAX}$, $V_O = 2.25\text{V}$		-30		-112	mA		
I_{CC}	Supply current (total)	I_{CCH}	74ALS573B	$V_{CC} = \text{MAX}$		7	12	mA		
					I_{CCL}		13	21	mA	
						I_{CCZ}		15	24	mA
		I_{CCH}	74ALS574A		$V_{CC} = \text{MAX}$		10	16	mA	
						I_{CCL}		17	27	mA
							I_{CCZ}		18	28

NOTES:

- For conditions shown as MIN or MAX, use the appropriate value specified under recommended operating conditions for the applicable type.
- All typical values are at $V_{CC} = 5\text{V}$, $T_A = 25^\circ\text{C}$.
- The output conditions have been chosen to produce a current that closely approximates one half of the true short-circuit current, I_{OS} .

Latches/Flip-Flops

74ALS573B, 74ALS574A

AC ELECTRICAL CHARACTERISTICS

SYMBOL	PARAMETER	TEST CONDITION	LIMITS		UNIT
			$T_A = 0^\circ\text{C to } +70^\circ\text{C}$ $V_{CC} = 5V \pm 10\%$ $C_L = 50\text{pF}$ $R_L = 500\Omega$		
			Min	Max	
t_{PLH} t_{PHL}	Propagation delay D_n to Q_n	Waveform 2	2.0	10.0	ns
t_{PLH} t_{PHL}	Propagation delay E to Q_n	Waveform 1	4.0	12.0	ns
t_{PZH} t_{PZL}	Output Enable time to High or Low level	Waveform 4 Waveform 5	2.0 4.0	9.0 11.0	ns
t_{PHZ} t_{PLZ}	Output Disable time to High or Low level	Waveform 4 Waveform 5	1.0 2.0	9.0 11.0	ns
f_{MAX}	Maximum Clock frequency	Waveform 1	45		MHz
t_{PLH} t_{PHL}	Propagation delay CP to Q_n	Waveform 1	3.0 4.0	12.0 12.0	ns
t_{PZH} t_{PZL}	Output Enable time to High or Low level	Waveform 4 Waveform 5	2.0 4.0	9.0 11.0	ns
t_{PHZ} t_{PLZ}	Output Disable time to High or Low level	Waveform 4 Waveform 5	1.0 2.0	9.0 11.0	ns

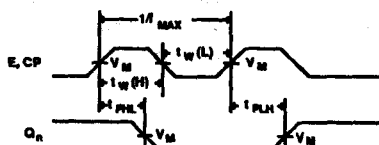
AC SETUP REQUIREMENTS

SYMBOL	PARAMETER	TEST CONDITION	LIMITS		UNIT
			$T_A = 0^\circ\text{C to } +70^\circ\text{C}$ $V_{CC} = 5V \pm 10\%$ $C_L = 50\text{pF}$ $R_L = 500\Omega$		
			Min	Max	
$t_s(H)$ $t_s(L)$	Set-up time D_n to E	Waveform 3 Waveform 3	6.0 6.0		ns
$t_h(H)$ $t_h(L)$	Hold time D_n to E	Waveform 3 Waveform 3	6.0 6.0		ns
$t_w(H)$	E Pulse width, High	Waveform 1	10.0		ns
$t_s(H)$ $t_s(L)$	Set-up time D_n to CP	Waveform 3 Waveform 3	6.0 6.0		ns
$t_h(H)$ $t_h(L)$	Hold time D_n to CP	Waveform 3 Waveform 3	1.0 1.0		ns
$t_w(H)$ $t_w(L)$	CP Pulse width, High or Low	Waveform 1 Waveform 1	8.0 12.0		ns

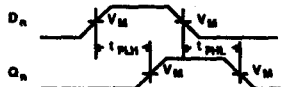
Latches/Flip-Flops

74ALS573B, 74ALS574A

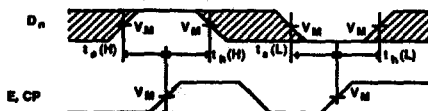
AC WAVEFORMS



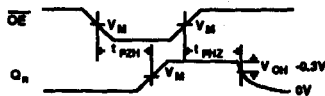
Waveform 1. Propagation Delay, Clock And Enable Inputs To Output, Enable and Clock Pulse Widths, and Maximum Clock Frequency



Waveform 2. Propagation Delay For Data To Outputs



Waveform 3. Data Setup And Hold Times



Waveform 4. 3-State Output Enable Time To High Level And Output Disable Time From High Level

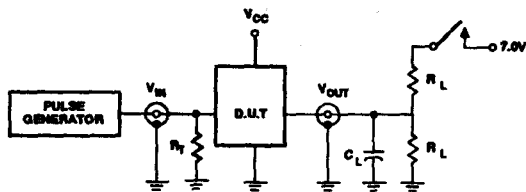


Waveform 5. 3-State Output Enable Time To Low Level And Output Disable Time From Low Level

NOTE: For all waveforms, $V_M = 1.3V$.

The shaded areas indicate when the input is permitted to change for predictable output performance.

TEST CIRCUIT AND WAVEFORMS



Test Circuit For 3-State Outputs

SWITCH POSITION

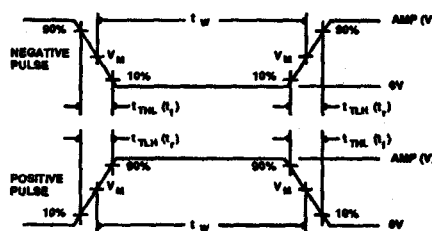
TEST	SWITCH
t_{PLZ}	closed
t_{PZL}	closed
All other	open

DEFINITIONS

R_L = Load resistor; see AC CHARACTERISTICS for value.

C_L = Load capacitance includes jig and probe capacitance; see AC CHARACTERISTICS for value.

R_T = Termination resistance should be equal to Z_{OUT} of pulse generators.



$V_M = 1.3V$
Input Pulse Definition

FAMILY	INPUT PULSE REQUIREMENTS				
	Amplitude	Rep. Rate	t_w	t_{TLH}	t_{THL}
74ALS	3.5V	1MHz	500ns	2.0ns	2.0ns

74ALS620A, 74ALS620A-1 74ALS623A, 74ALS623A-1 Transceivers

FEATURES

- Octal bidirectional bus interface
- 3-state buffer outputs sink 24mA and source 15mA
- The -1 version sinks 48mA I_{OL} within the $\pm 5\% V_{CC}$ range

DESCRIPTION

The 74ALS620A and 74ALS623A are octal bus transceivers featuring 3-state bus-compatible outputs in both send and receive directions. The 74ALS620A is an inverting version of the 74ALS623A. The outputs are capable of sinking 24mA and sourcing up to 15mA, providing very good capacitive drive characteristics. The outputs for the 74ALS620A-1 and 74ALS623A-1 are capable of sinking up to 48mA when within the $\pm 5\% V_{CC}$ range. These octal bus transceivers are designed for asynchronous two-way communication between data busses. The control function implementation allows for maximum flexibility in timing. These devices allow data transmission from the A bus to the B bus or from B bus to A bus, depending upon the logic levels at the Enable inputs (\overline{OEBA} and OEAB). The Enable inputs can be used to disable the device so that the busses are effectively isolated. The dual-enable configuration gives the 'ALS620A and 'ALS623A the capability to store data by the simultane-

74ALS620A/620A-1 Octal Bus Transceiver, Inverting (3-State)
74ALS623A/623A-1 Octal Bus Transceiver, Non-Inverting (3-State)
Product Specification

TYPE	TYPICAL PROPAGATION DELAY	TYPICAL SUPPLY CURRENT (TOTAL)
74ALS620A/620A-1	4ns	33mA
74ALS623A/623A-1	4ns	38mA

ORDERING INFORMATION

PACKAGES	COMMERCIAL RANGE
	$V_{CC} = 5V \pm 10\%$; $T_A = 0^\circ C$ to $+70^\circ C$
20-Pin Plastic DIP	74ALS620AN, 74ALS620A-1N, 74ALS623AN, 74ALS623A-1N
20-Pin Plastic SOL	74ALS623AD, 74ALS623A-1D, 74ALS623AD, 74ALS623A-1D

INPUT AND OUTPUT LOADING AND FAN-OUT TABLE

PINS	DESCRIPTION	74ALS(U.L.) HIGH/LOW	LOAD VALUE HIGH/LOW
A_0-A_7, B_0-B_7	Data inputs	1.0/1.0	20 μ A/20 μ A
$\overline{OEBA}, OEAB$	Output enable inputs	1.0/1.0	20 μ A/20 μ A
A_n, B_n	Data outputs	750/240	15mA/24mA
A_n, B_n	Data outputs (-1 version)	750/480	15mA/48mA

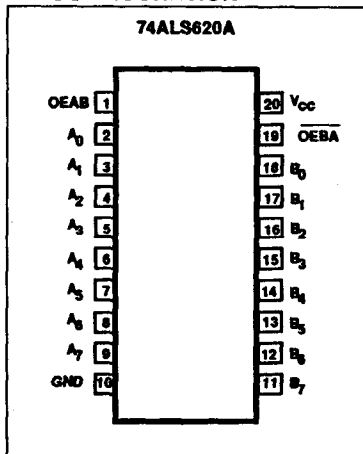
NOTE:

One (1.0) ALS Unit Load is defined as: 20 μ A in the High state and 0.1mA in the Low state.

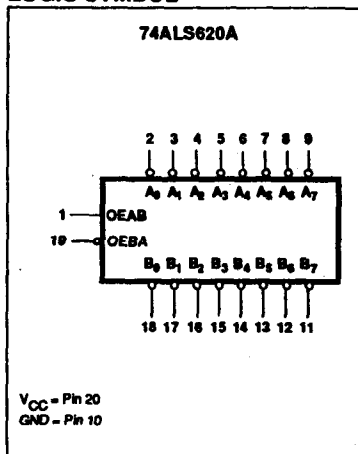
ous enabling of \overline{OEBA} and OEAB. Each output reinforces its input in this transceiver configuration. Thus, when both control inputs are enabled and all other data sources to the two sets of the bus

lines are at high impedance, both sets of bus lines (16 in all) will remain at their last states.

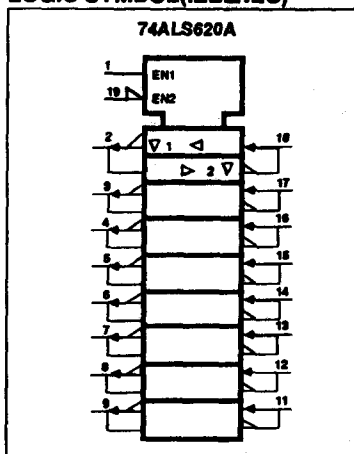
PIN CONFIGURATION



LOGIC SYMBOL



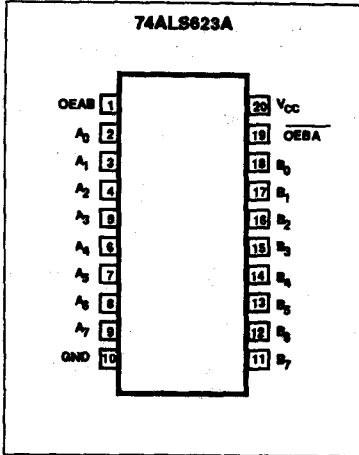
LOGIC SYMBOL (IEEE/IEC)



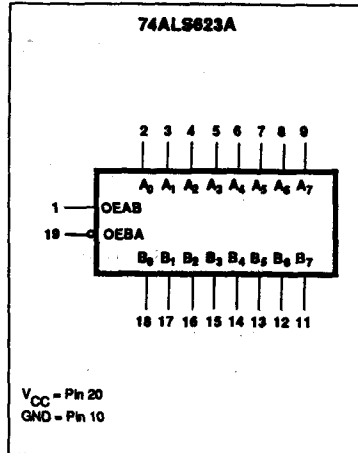
Transceivers

74ALS620A, 74ALS620A-1, 74ALS623A, 74ALS623A-1

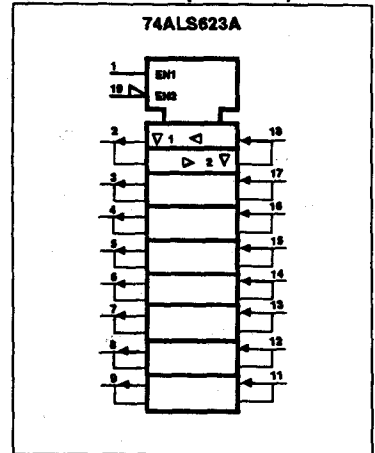
PIN CONFIGURATION



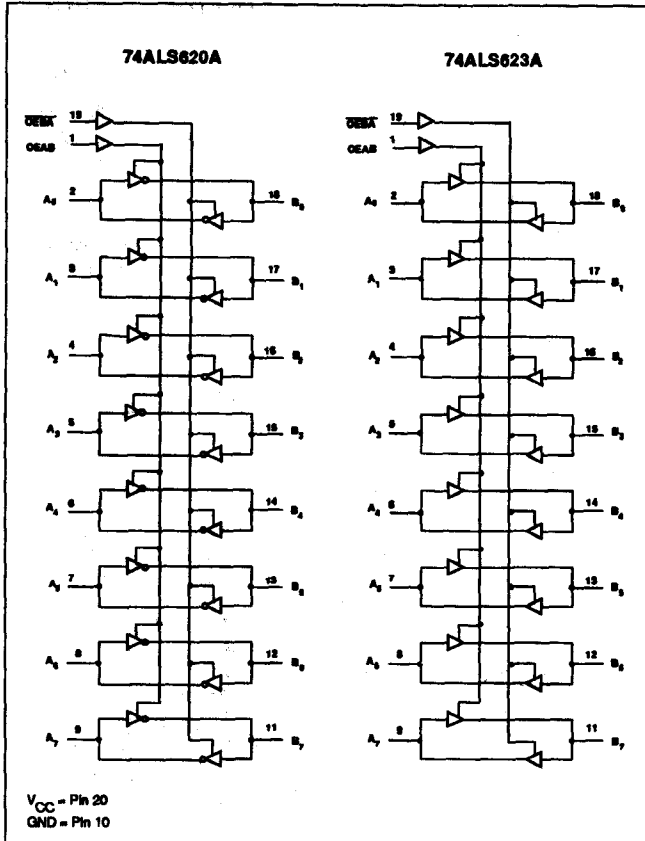
LOGIC SYMBOL



LOGIC SYMBOL (IEEE/IEC)



LOGIC DIAGRAM



FUNCTION TABLE

INPUTS		OPERATING MODES	
OEBA	OEAB	74ALS620A	74ALS623A
L	L	B data to A bus	B data to A bus
H	H	\bar{A} data to B bus	A data to B bus
H	L	Z	Z
L	H	\bar{B} data to A bus A data to B bus	B data to A bus A data to B bus

- H = High voltage level
- L = Low voltage level
- X = Don't care
- Z = High impedance "off" state

Transceivers

74ALS620A, 74ALS620A-1, 74ALS623A, 74ALS623A-1

ABSOLUTE MAXIMUM RATINGS (Operation beyond the limits set forth in this table may impair the useful life of the device. Unless otherwise noted these limits are over the operating free-air temperature range.)

SYMBOL	PARAMETER	RATING	UNIT
V_{CC}	Supply voltage	-0.5 to +7.0	V
V_{IN}	Input voltage	-0.5 to +7.0	V
I_{IN}	Input current	-30 to +5	mA
V_{OUT}	Voltage applied to output in High output state	-0.5 to + V_{CC}	V
I_{OUT}	Current applied to output in Low output state	All versions	48
		-1 version only	96
T_A	Operating free-air temperature range	0 to +70	°C
T_{STG}	Storage temperature	-65 to +150	°C

RECOMMENDED OPERATING CONDITIONS

SYMBOL	PARAMETER	LIMITS			UNIT
		Min	Nom	Max	
V_{CC}	Supply voltage	4.5	5.0	5.5	V
V_{IH}	High-level input voltage	2.0			V
V_{IL}	Low-level input voltage			0.8	V
I_{IK}	Input clamp current			-18	mA
I_{OH}	High-level output current			-15	mA
I_{OL}	Low-level output current	All versions		24	mA
		-1 version only		48 ¹	mA
T_A	Operating free-air temperature range	0		70	°C

NOTE: 1. The 48 mA limit applies only under the condition of $V_{CC} = 5.0V \pm 5\%$.

Transceivers

74ALS620A, 74ALS620A-1, 74ALS623A, 74ALS623A-1

DC ELECTRICAL CHARACTERISTICS (Over recommended operating free-air temperature range unless otherwise noted.)

SYMBOL	PARAMETER		TEST CONDITIONS ¹			LIMITS			UNIT	
						Min	Typ ²	Max		
V_{OH}	High-level output voltage		$V_{CC} \pm 10\%$	$V_{IL} = \text{MAX}$ $V_{IH} = \text{MIN}$	$I_{OH} = -0.4\text{mA}$	$V_{CC} - 2$			V	
			$V_{CC} = \text{MIN}$		$I_{OH} = -3\text{mA}$	2.4	3.2		V	
					$I_{OH} = -15\text{mA}$	2.0			V	
V_{OL}	Low-level output voltage	All versions	$V_{CC} = \text{MIN}$	$V_{IL} = \text{MAX}$ $V_{IH} = \text{MIN}$	$I_{OL} = 12\text{mA}$		0.25	0.4	V	
		-1 version			$V_{CC} = 4.75\text{V}$	$I_{OL} = 24\text{mA}$		0.35	0.5	V
						$I_{OL} = 48\text{mA}$		0.35	0.5	V
V_{IK}	Input clamp voltage		$V_{CC} = \text{MIN}, I_1 = I_{IK}$				-0.73	-1.5	V	
I_I	Input current at maximum input voltage	OEBA or OEAB	$V_{CC} = \text{MAX}, V_1 = 7.0\text{V}$					0.1	mA	
		A or B ports	$V_{CC} = \text{MAX}, V_1 = 5.5\text{V}$					0.1	mA	
I_{IH}	High-level input current ³		$V_{CC} = \text{MAX}, V_1 = 2.7\text{V}$					20	μA	
I_{IL}	Low-level input current ³		$V_{CC} = \text{MAX}, V_1 = 0.4\text{V}$					-0.1	mA	
I_O	Short-circuit output current ⁴		$V_{CC} = \text{MAX}, V_O = 2.25\text{V}$			-30		-112	mA	
I_{CC}	Supply current (total)	74ALS620A 74ALS620A-1	I_{CCH}	$V_{CC} = \text{MAX}$				24	34	mA
			I_{CCL}					42	49	mA
			I_{CCZ}					45	52	mA
		74ALS623A 74ALS623A-1	I_{CCH}	$V_{CC} = \text{MAX}$				29	43	mA
			I_{CCL}					41	50	mA
			I_{CCZ}					46	55	mA

NOTES:

- For conditions shown as MIN or MAX, use the appropriate value specified under recommended operating conditions for the applicable type.
- All typical values are at $V_{CC} = 5\text{V}$, $T_A = 25^\circ\text{C}$.
- For I_O ports, the parameters I_{IH} and I_{IL} include the off-state current.
- The output conditions have been chosen to produce current that closely approximates one half of the true short-circuit output current, I_{OS} .

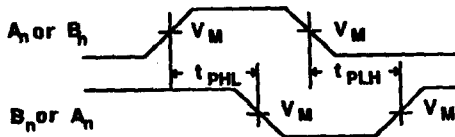
Transceivers

74ALS620A, 74ALS620A-1, 74ALS623A, 74ALS623A-1

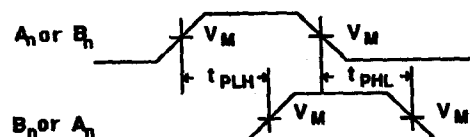
AC ELECTRICAL CHARACTERISTICS

SYMBOL	PARAMETER	TEST CONDITION	LIMITS		UNIT
			$T_A = 0^\circ\text{C to } +70^\circ\text{C}$ $V_{CC} = 5V \pm 10\%$ $C_L = 50\text{pF}$ $R_L = 500\Omega$		
			Min	Max	
t_{PLH} t_{PHL}	Propagation delay A_n to B_n , B_n to A_n	Waveform 1	2.0	10.0	ns
t_{PZH} t_{PZL}	Output Enable time $OEBA$ to A_n		2.0	17.0	
t_{PHZ} t_{PLZ}	Output Disable time $OEBA$ to A_n	Waveform 3 Waveform 4	2.0 2.0	12.0 18.0	ns
t_{PZH} t_{PZL}	Output Enable time $OEAB$ to B_n	Waveform 3 Waveform 4	2.0 3.0	18.0 25.0	
t_{PHZ} t_{PLZ}	Output Disable time $OEAB$ to B_n		Waveform 3 Waveform 4	2.0 3.0	12.0 18.0
t_{PLH} t_{PHL}	Propagation delay A_n to B_n , B_n to A_n	Waveform 1	2.0	13.0	ns
t_{PZH} t_{PZL}	Output Enable time $OEBA$ to A_n		Waveform 3 Waveform 4	2.0 3.0	
t_{PHZ} t_{PLZ}	Output Disable time $OEBA$ to A_n	Waveform 3 Waveform 4	2.0 2.0	16.0 19.0	ns
t_{PZH} t_{PZL}	Output Enable time $OEAB$ to B_n		Waveform 3 Waveform 4	2.0 3.0	
t_{PHZ} t_{PLZ}	Output Disable time $OEAB$ to B_n	Waveform 3 Waveform 4	2.0 2.0	16.0 19.0	ns

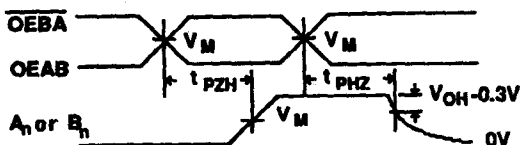
AC WAVEFORMS



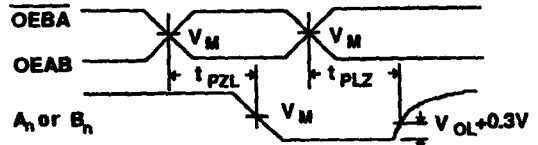
Waveform 1. For Inverting Outputs



Waveform 2. For Non-Inverting Outputs



Waveform 3. 3-State Output Enable Time To High Level And Output Disable Time From High Level



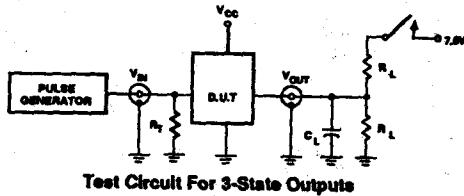
Waveform 4. 3-State Output Enable Time To Low Level And Output Disable Time From Low Level

NOTE: For all waveforms, $V_M = 1.3V$.

Transceivers

74ALS620A, 74ALS620A-1, 74ALS623A, 74ALS623A-1

TEST CIRCUIT AND WAVEFORMS



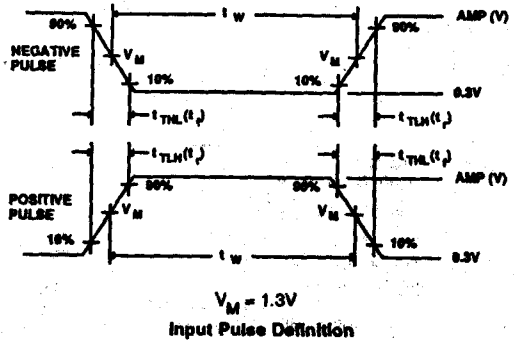
Test Circuit For 3-State Outputs

SWITCH POSITION

TEST	SWITCH
t_{PLZ}	closed
t_{PZL}	closed
All other	open

DEFINITIONS

- R_L = Load resistor; see AC CHARACTERISTICS for value.
- C_L = Load capacitance includes jig and probe capacitance; see AC CHARACTERISTICS for value.
- R_T = Termination resistance should be equal to Z_{OUT} of pulse generators.



FAMILY	INPUT PULSE REQUIREMENTS				
	Amplitude	Rep. Rate	t_w	t_{TLH}	t_{THL}
74ALS	3.5V	1MHz	500ns	2.0ns	2.0ns

74ALS645A, 74ALS645A-1

Transceivers

Octal Transceivers (3-State) Product Specification

FEATURES

- Octal bidirectional bus interface
- 3-state buffer outputs sink 24mA and source 15mA.
- Outputs are placed in high impedance state during power-off conditions
- The -1 version sinks 48mA I_{OL} within the $\pm 5\%$ V_{CC} range

TYPE	TYPICAL PROPAGATION DELAY	TYPICAL SUPPLY CURRENT (TOTAL)
74ALS645A 74ALS645A-1	7.0ns	34mA

ORDERING INFORMATION

PACKAGES	COMMERCIAL RANGE $V_{CC} = 5V \pm 10\%$; $T_A = 0^\circ C$ to $+70^\circ C$
20-Pin Plastic DIP	N74ALS645AN, N7AL645A-1N
20-Pin Plastic SOL	N74ALS645AD, N7AL645A-1D

DESCRIPTION

The 74ALS645A is an octal transceiver featuring non-inverting 3-state bus compatible outputs in both transmit and receive directions. The device features an Output Enable (OE) input for easy cascading and Transmit/Receive (T/R) input for direction control. The 74ALS645A-1 is the same as the 74ALS645A except that the B port sinks 48 mA within the $\pm 5\%$ V_{CC} range.

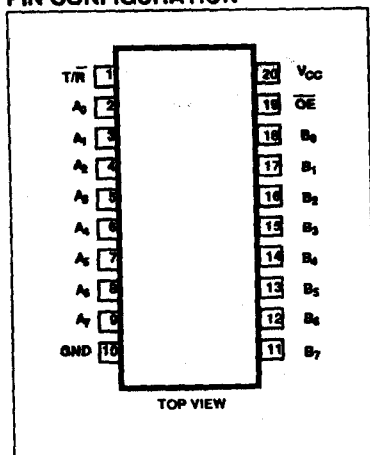
INPUT AND OUTPUT LOADING AND FAN-OUT TABLE

PINS	DESCRIPTION	74ALS(U.L.) HIGH/LOW	LOAD VALUE HIGH/LOW
$A_0 - A_7, B_0 - B_7$	Data inputs	1.0/1.0	20 μ A/0.1mA
OE	Output enable input (active Low)	1.0/1.0	20 μ A/0.1mA
T/R	Transmit/Receive input	1.0/1.0	20 μ A/0.1mA
$A_0 - A_7$	A port outputs	750/240	15mA/24mA
$B_0 - B_7$	B Port outputs	750/240	15mA/24mA
$B_0 - B_7$	B Port outputs (-1 version)	750/480	15mA/48mA

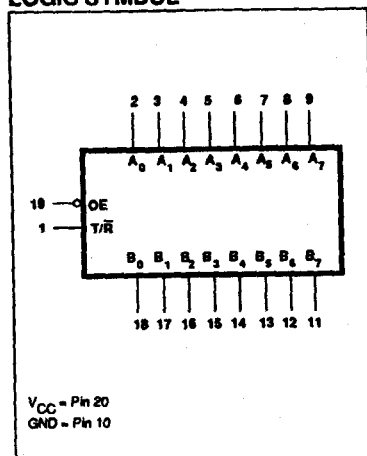
NOTE:

One (1.0) ALS Unit Load is defined as: 20 μ A in the High state and 0.1mA in the Low state.

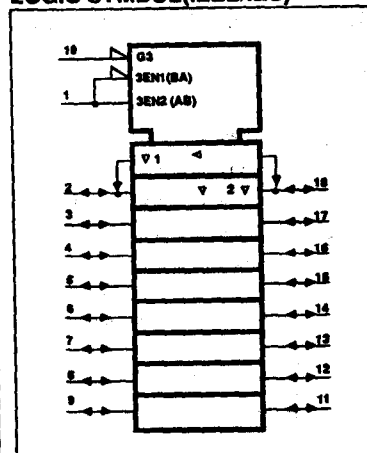
PIN CONFIGURATION



LOGIC SYMBOL



LOGIC SYMBOL (IEEE/IEC)



Transceivers

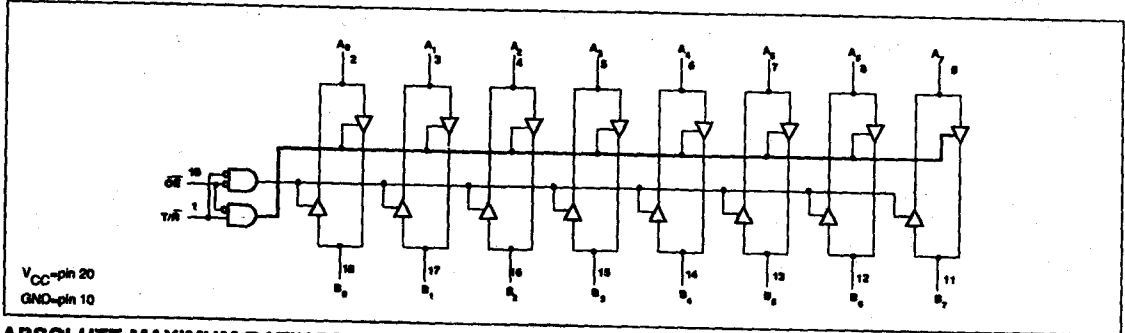
74ALS645A, 74ALS645A-1

FUNCTION TABLE

INPUTS		OUTPUTS
\overline{OE}	T/\overline{R}	
L	L	Bus B data to Bus A
L	H	Bus A data to Bus B
H	X	Z

H=High voltage level
 L=Low voltage level
 X=Don't care
 Z=High impedance "off" state

LOGIC DIAGRAM



ABSOLUTE MAXIMUM RATINGS (Operation beyond the limits set forth in this table may impair the useful life of the device. Unless otherwise noted these limits are over the operating free-air temperature range.)

SYMBOL	PARAMETER	RATING	UNIT
V_{CC}	Supply voltage	-0.5 to +7.0	V
V_{IN}	Input voltage	-0.5 to +7.0	V
I_{IN}	Input current	-30 to +5	mA
V_{OUT}	Voltage applied to output in High output state	-0.5 to +5.5	V
I_{OUT}	Current applied to output in Low output state	All versions	48
		-1 version only	96
T_A	Operating free-air temperature range	0 to +70	°C
T_{STG}	Storage temperature	-65 to +150	°C

RECOMMENDED OPERATING CONDITIONS

SYMBOL	PARAMETER	LIMITS			UNIT
		Min	Nom	Max	
V_{CC}	Supply voltage	4.5	5.0	5.5	V
V_{IH}	High-level input voltage	2.0			V
V_{IL}	Low-level input voltage			0.8	V
I_{IK}	Input clamp current			-18	mA
I_{OH}	High-level output current			-15	mA
I_{OL}	Low-level output current	All versions		24	mA
		-1 version only		48 ¹	mA
T_A	Operating free-air temperature range	0		70	°C

NOTE: 1. The 48 mA limit applies only under the condition of $V_{CC} = 5.0V \pm 5\%$.

Transceivers

74ALS645A, 74ALS645A-1

DC ELECTRICAL CHARACTERISTICS (Over recommended operating free-air temperature range unless otherwise noted.)

SYMBOL	PARAMETER		TEST CONDITIONS ¹			LIMITS			UNIT
						Min	Typ ²	Max	
V_{OH}	High-level output voltage		$V_{CC} \pm 10\%$	$V_{IL} = \text{MAX}$ $V_{IH} = \text{MIN}$	$I_{OH} = -0.4\text{mA}$	$V_{CC} - 2$			V
			$V_{CC} = \text{MIN}$		$I_{OH} = -3\text{mA}$	2.4	3.2		V
					$I_{OH} = -15\text{mA}$	2.0			V
V_{OL}	Low-level output voltage	All versions	$V_{CC} = \text{MIN}$	$V_{IL} = \text{MAX}$ $V_{IH} = \text{MIN}$	$I_{OL} = 12\text{mA}$		0.25	0.4	V
		-1 version	$V_{CC} = 4.75\text{V}$		$I_{OL} = 24\text{mA}$		0.35	0.5	V
	$I_{OL} = 48\text{mA}$					0.35	0.5	V	
V_{IK}	Input clamp voltage		$V_{CC} = \text{MIN}, I_I = I_{IK}$				-0.73	-1.5	V
I_I	Input current at maximum input voltage - OE or TR		$V_{CC} = \text{MAX}, V_I = 7.0\text{V}$					0.1	mA
I_I	Input current at maximum input voltage - A or B ports		$V_{CC} = \text{MAX}, V_I = 5.5\text{V}$					0.1	mA
I_{IH}	High-level input current ³		$V_{CC} = \text{MAX}, V_I = 2.7\text{V}$					20	μA
I_{IL}	Low-level input current ³		$V_{CC} = \text{MAX}, V_I = 0.4\text{V}$					-0.1	mA
I_O	Short-circuit output current ⁴		$V_{CC} = \text{MAX}, V_O = 2.25\text{V}$			-30		-112	mA
I_{CC}	Supply current (total)		$V_{CC} = \text{MAX}$	I_{CCH}		28	45	mA	
				I_{CCL}		40	55	mA	
				I_{CCZ}		44	58	mA	

NOTES:

- For conditions shown as MIN or MAX, use the appropriate value specified under recommended operating conditions for the applicable type.
- All typical values are at $V_{CC} = 5\text{V}$, $T_A = 25^\circ\text{C}$.
- For I/O ports, the parameters I_{IH} and I_{IL} include the off-state current.
- The output conditions have been chosen to produce current that closely approximates one half of the true short-circuit output current, I_{OS} .

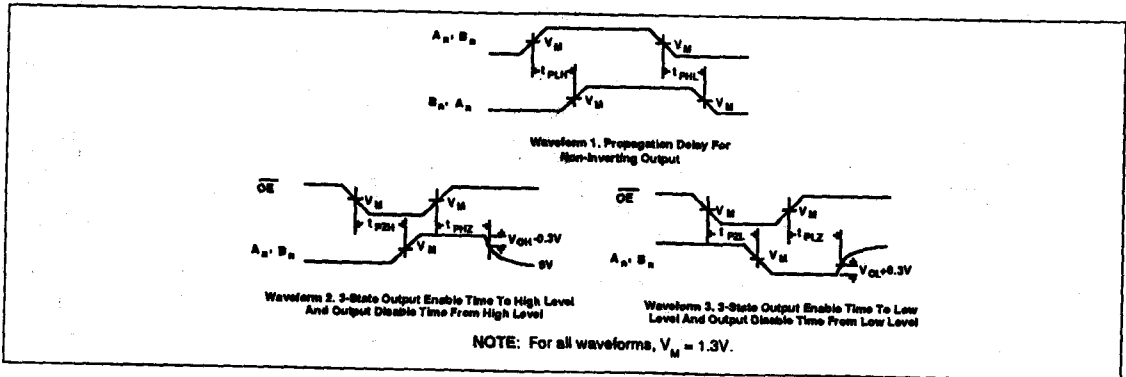
Transceivers

74ALS645A, 74ALS645A-1

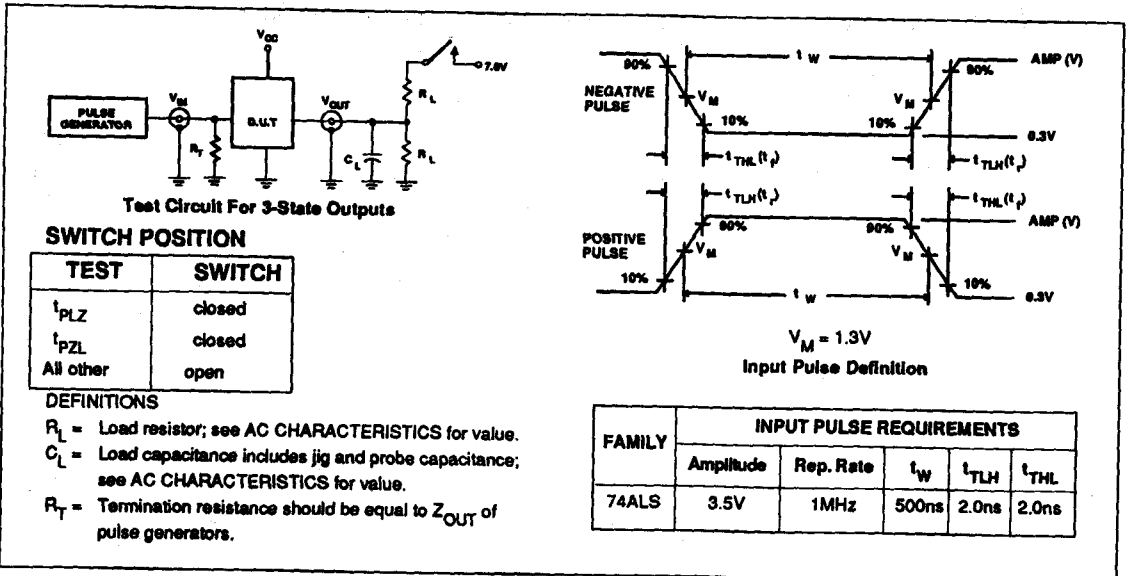
AC ELECTRICAL CHARACTERISTICS

SYMBOL	PARAMETER	TEST CONDITION	LIMITS		UNIT
			$T_A = 0^\circ\text{C to } +70^\circ\text{C}$		
			$V_{CC} = 5V \pm 10\%$ $C_L = 50\text{pF}$ $R_L = 500\Omega$		
Min	Max				
t_{PLH} t_{PHL}	Propagation delay A_n to B_n , B_n to A_n	Waveform 1	2 2	10 10	ns
t_{PZH} t_{PZL}	Output Enable time to High or Low level	Waveform 2 Waveform 3	3 3	20 20	ns
t_{PHZ} t_{PLZ}	Output Disable time to High or Low level	Waveform 2 Waveform 3	2 4	10 15	ns

AC WAVEFORMS



TEST CIRCUIT AND WAVEFORMS



74ALS646, 74ALS646-1 74ALS648, 74ALS648-1 Transceivers/Registers

'ALS646/646-1 Octal Transceiver/Register, Non-Inverting (3-state)
'ALS648/648-1 Octal Transceiver/Register, Inverting (3-state)
Preliminary Specification

FEATURES

- Combines '245 and '374 type functions in one chip
- Independent registers for A and B buses
- Multiplexed real-time and stored data
- Choice of non-inverting and inverting data paths
- 3-state outputs
- The -1 version sinks 48mA I_{OL} within the $\pm 5\%$ V_{CC} range

DESCRIPTION

The 74ALS646/74ALS646-1 and 74ALS648/74ALS648-1 Transceivers/Registers consist of bus transceiver circuits with 3-state outputs, D-type flip-flops, and control circuitry arranged for multiplexed transmission of data directly from the input bus or the internal registers. Data on the A or B bus will be clocked into the registers as the appropriate clock pin goes High. Output Enable (\overline{OE}), direction (DIR) and Select (SAB, SBA) pins are provided for bus management. The 74ALS646-1 and 74ALS648-1 will sink 48mA if the V_{CC} is limited to $5.0V \pm 0.25V$.

TYPE	TYPICAL f_{MAX}	TYPICAL SUPPLY CURRENT (TOTAL)
74ALS646/646-1	50MHz	50mA
74ALS648/648-1	50MHz	54mA

ORDERING INFORMATION

PACKAGES	COMMERCIAL RANGE
	$V_{CC} = 5V \pm 10\%$; $T_A = 0^\circ C$ to $+70^\circ C$
24-Pin Plastic Dip (300 mil)	74ALS646N, 74ALS646-1N, 74ALS648N, 74ALS648-1N
24-Pin Plastic SOL	74ALS646D, 74ALS646-1D, 74ALS648D, 74ALS648-1D

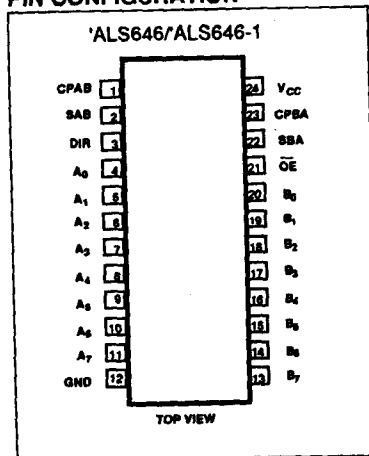
INPUT AND OUTPUT LOADING AND FAN-OUT TABLE

PINS	DESCRIPTION	74ALS(U.L.) HIGH/LOW	LOAD VALUE HIGH/LOW
$A_0 - A_7$	A inputs	1.0/2.0	20 μ A/0.2mA
$B_0 - B_7$	B inputs	1.0/2.0	20 μ A/0.2mA
CPAB	A-to-B clock input	1.0/2.0	20 μ A/0.2mA
CPBA	B-to-A clock input	1.0/2.0	20 μ A/0.2mA
SAB	A-to-B select input	1.0/2.0	20 μ A/0.2mA
SBA	B-to-A select input	1.0/2.0	20 μ A/0.2mA
DIR	Data flow directional control input	1.0/2.0	20 μ A/0.2mA
\overline{OE}	Output enable input	1.0/2.0	20 μ A/0.2mA
A_n', B_n	Outputs	750/240	15mA/24mA
A_n', B_n	Outputs (-1 version)	750/480	15mA/48mA

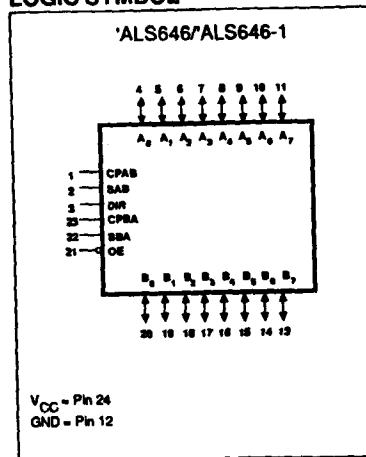
NOTE:

One (1.0) ALS Unit Load is defined as: 20 μ A in the High state and 0.1mA in the Low state.

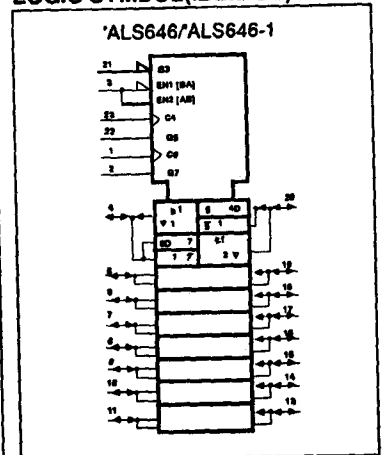
PIN CONFIGURATION



LOGIC SYMBOL



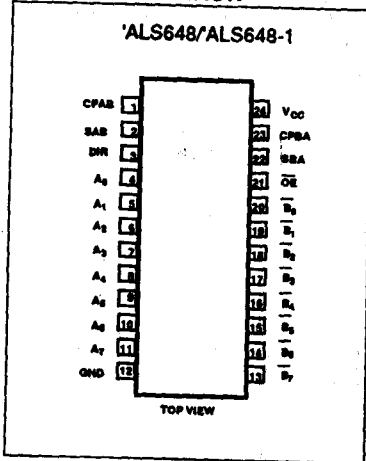
LOGIC SYMBOL (IEEE/IEC)



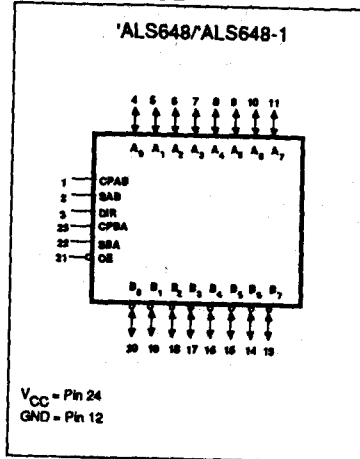
Transceivers/Registers

74ALS646, 74ALS646-1, 74ALS648, 74ALS648-1

PIN CONFIGURATION

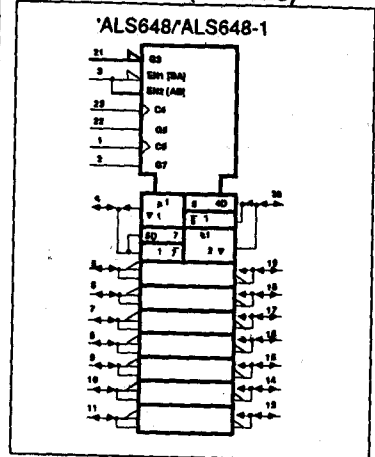


LOGIC SYMBOL



V_{CC} = Pin 24
GND = Pin 12

LOGIC SYMBOL (IEEE/IEC)

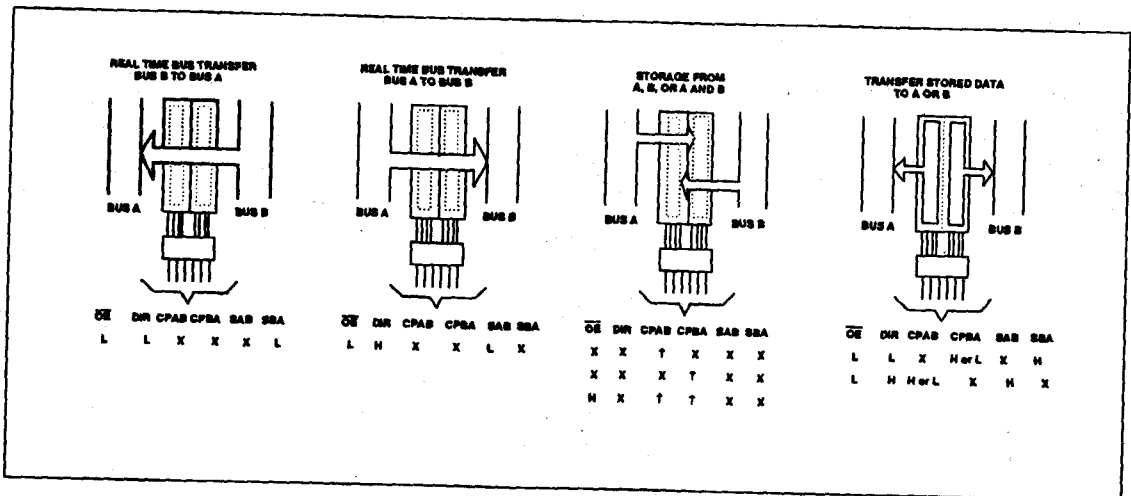


The following examples demonstrate the four fundamental bus-management functions that can be performed with the

'ALS646/ALS648-1 and 'ALS648/ALS648-1.

The select pins determine whether data is stored or transferred through the device in real time.

The DIR determines which bus will receive data when the OE pin is Low.



Transceivers/Registers 74ALS646, 74ALS646-1, 74ALS648, 74ALS648-1

FUNCTION TABLE

INPUTS					DATA I/O		OPERATING MODE	
OE	DIR	CPAB	CPBA	SAB SBA	An	Bn	'ALS646/'ALS646-1	'ALS648/'ALS648-1
X	X	↑	X	X X	Input	Unspec*	Store A, B unspecified	Store A, B unspecified
X	X	X	↑	X X	Unspec*	Input	Store B, A unspecified	Store B, A unspecified
H	X	↑	↑	X X	Input	Input	Store A and B data	Store A and B data
H	X	H or L	H or L	X X	Input	Input	Isolation, hold storage	Isolation, hold storage
L	L	X	X	X L	Output	Input	Real time B data to A bus	Real time \bar{B} data to A bus
L	L	X	H or L	X H	Output	Input	Stored B data to A bus	Stored \bar{B} data to A bus
L	H	X	X	L X	Input	Output	Real time A data to B bus	Real time \bar{A} data to B bus
L	H	H or L	X	H X	Input	Output	Store A data to B bus	Stored \bar{A} data to B bus

H= High voltage level

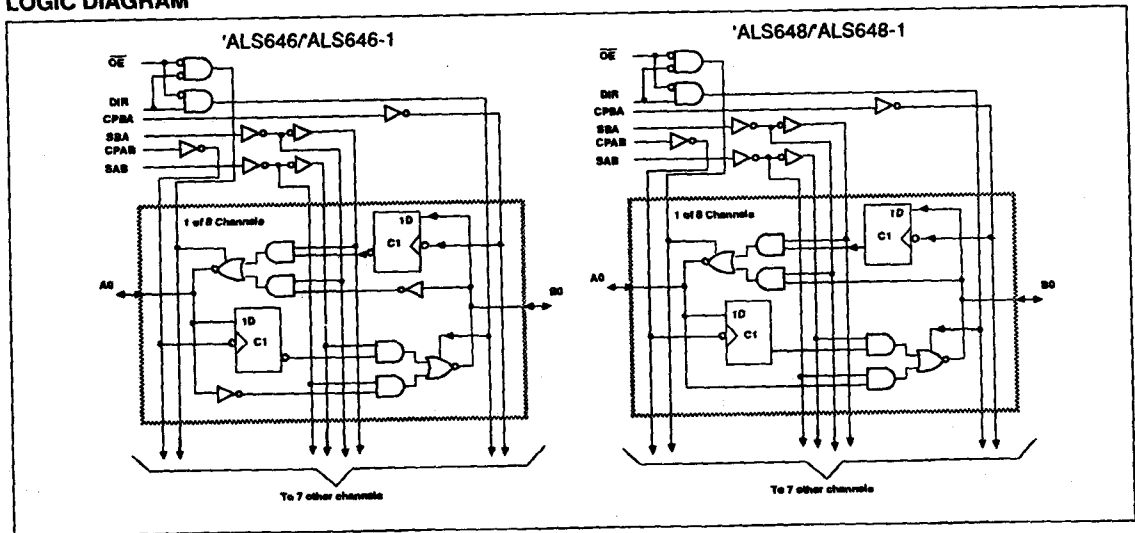
L= Low voltage level

*= The data output functions may be enabled or disabled by various signals at the OE and DIR inputs. Data input functions are always enabled, i.e., data at the bus pins will be stored on every Low-to-High transition of the clock.

↑ =Low-to-High clock transition

X=Don't care

LOGIC DIAGRAM



ABSOLUTE MAXIMUM RATINGS (Operation beyond the limits set forth in this table may impair the useful life of the device. Unless otherwise noted these limits are over the operating free-air temperature range.)

SYMBOL	PARAMETER	RATING	UNIT
V _{CC}	Supply voltage	-0.5 to +7.0	V
V _{IN}	Input voltage	-0.5 to +7.0	V
I _{IN}	Input current	-30 to +5	mA
V _{OUT}	Voltage applied to output in High output state	-0.5 to +V _{CC}	V
I _{OUT}	Current applied to output in Low output state (All versions)	48	mA
I _{OUT}	Current applied to output in Low output state (-1 version)	96	mA
T _A	Operating free-air temperature range	0 to +70	°C
T _{STG}	Storage temperature	-65 to +150	°C

Transceivers/Registers

74ALS646, 74ALS646-1, 74ALS648, 74ALS648-1

RECOMMENDED OPERATING CONDITIONS

SYMBOL	PARAMETER	LIMITS			UNIT
		Min	Nom	Max	
V_{CC}	Supply voltage	4.5	5.0	5.5	V
V_{IH}	High-level input voltage	2.0			V
V_{IL}	Low-level input voltage			0.8	V
I_{IK}	input clamp current			-18	mA
I_{OH}	High-level output current			-15	mA
I_{OL}	Low-level output current	All versions		24	mA
		-1 version		48 ¹	mA
T_A	Operating free-air temperature range	0		70	°C

1. The 48 mA limit applies only under the condition of $V_{CC} = 5.0V \pm 5\%$.

DC ELECTRICAL CHARACTERISTICS

(Over recommended operating free-air temperature range unless otherwise noted.)

SYMBOL	PARAMETER		TEST CONDITIONS ¹		LIMITS			UNIT	
					Min	Typ ²	Max		
V_{OH}	High-level output voltage		$V_{CC} \pm 10\%$	$V_{IL} = \text{MAX}$ $V_{IH} = \text{MIN}$	$I_{OH} = -0.4\text{mA}$	$V_{CC} - 2$		V	
			$V_{CC} = \text{MIN}$		$I_{OH} = -3\text{mA}$	2.4	3.2	V	
					$I_{OH} = -15\text{mA}$	2.0		V	
V_{OL}	Low-level output voltage	All versions	$V_{CC} = \text{MIN}$	$V_{IL} = \text{MAX}$ $V_{IH} = \text{MIN}$	$I_{OL} = 12\text{mA}$		0.25	0.4	V
		-1 version			$I_{OL} = 24\text{mA}$		0.35	0.5	V
					$I_{OL} = 48\text{mA}$		0.35	0.5	V
V_{IK}	Input clamp voltage		$V_{CC} = \text{MIN}, I_I = I_{IK}$			-0.73	-1.2	V	
I_I	Input current at maximum input voltage		Control inputs	$V_{CC} = \text{MAX}, V_I = 7.0\text{V}$				0.1	mA
			A or B ports	$V_{CC} = \text{MAX}, V_I = 5.5\text{V}$				0.1	mA
I_{IH}	High-level input current ³		$V_{CC} = \text{MAX}, V_I = 2.7\text{V}$				20	μA	
I_{IL}	Low-level input current ³		$V_{CC} = \text{MAX}, V_I = 0.4\text{V}$				-0.2	mA	
I_O	Short-circuit output current ⁴		$V_{CC} = \text{MAX}, V_O = 2.25\text{V}$		-30		-112	mA	
I_{CC}	Supply current (total)		$V_{CC} = \text{MAX}$	I_{CCH}		47	76	mA	
				I_{CCL}		55	88	mA	
				I_{CCZ}		55	88	mA	
				I_{CCH}		47	76	mA	
				I_{CCL}		57	88	mA	
				I_{CCZ}		57	88	mA	

NOTES:

- For conditions shown as MIN or MAX, use the appropriate value specified under recommended operating conditions for the applicable type.
- All typical values are at $V_{CC} = 5\text{V}$, $T_A = 25^\circ\text{C}$.
- For I/O ports, the parameters I_{IH} and I_{IL} include the off-state current.
- The output conditions have been chosen to produce current that closely approximates one half of the true short-circuit output current, I_{OS} .

Transceivers/Registers

74ALS646, 74ALS646-1, 74ALS648, 74ALS648-1

AC ELECTRICAL CHARACTERISTICS for 'ALS646/'ALS646-1

SYMBOL	PARAMETER	TEST CONDITION	LIMITS		UNIT
			$T_A = 0^\circ\text{C to } +70^\circ\text{C}$ $V_{CC} = 5V \pm 10\%$ $C_L = 50\text{pF}$ $R_L = 500\Omega$		
			Min	Max	
f_{MAX}	Maximum clock frequency	Waveform 1	40		MHz
t_{PLH} t_{PHL}	Propagation delay CPBA or CPAB to B_n or A_n	Waveform 1	10 5	30 17	ns
t_{PLH} t_{PHL}	Propagation delay A_n to B_n or B_n to A_n	Waveform 2, 3	5 3	20 12	ns
t_{PLH} t_{PHL}	Propagation delay SBA to A_n or SAB to B_n (A or B Low)	Waveform 2, 3	15 5	35 20	ns
t_{PLH} t_{PHL}	Propagation delay SBA to A_n or SAB to B_n (A or B High)	Waveform 2, 3	8 5	25 20	ns
t_{PZH} t_{PZL}	Output Enable time OE to A_n or B_n	Waveform 5 Waveform 6	3 5	17 20	ns
t_{PHZ} t_{PLZ}	Output Disable time OE to A_n or B_n	Waveform 5 Waveform 6	1 2	10 16	ns
t_{PZH} t_{PZL}	Output Enable time DIR to A_n or B_n	Waveform 5 Waveform 6	10 5	30 25	ns
t_{PHZ} t_{PLZ}	Output Disable time DIR to A_n or B_n	Waveform 5 Waveform 6	1 2	10 16	ns

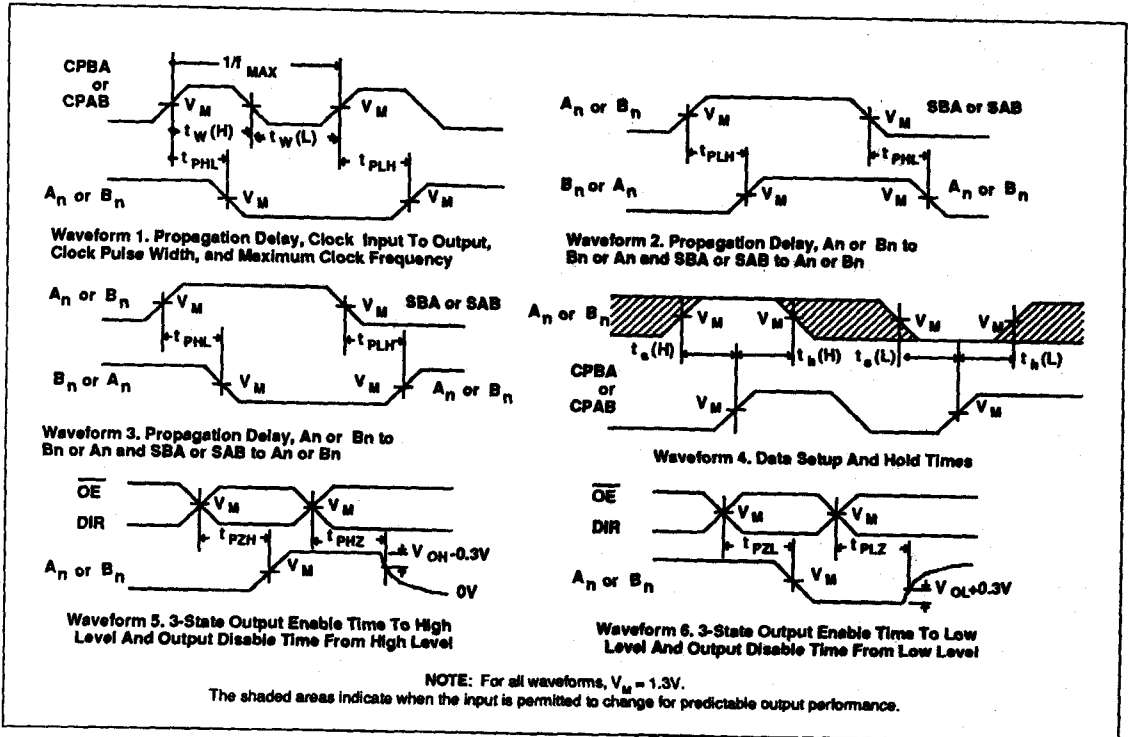
AC ELECTRICAL CHARACTERISTICS for 'ALS648/'ALS648-1

SYMBOL	PARAMETER	TEST CONDITION	LIMITS		UNIT
			$T_A = 0^\circ\text{C to } +70^\circ\text{C}$ $V_{CC} = 5V \pm 10\%$ $C_L = 50\text{pF}$ $R_L = 500\Omega$		
			Min	Max	
f_{MAX}	Maximum clock frequency	Waveform 1	40		MHz
t_{PLH} t_{PHL}	Propagation delay CPBA or CPAB to B_n or A_n	Waveform 1	8 5	30 20	ns
t_{PLH} t_{PHL}	Propagation delay A_n to B_n or B_n to A_n	Waveform 2, 3	3 2	17 10	ns
t_{PLH} t_{PHL}	Propagation delay SBA to A_n or SAB to B_n (A or B Low)	Waveform 2, 3	5 4	39 22	ns
t_{PLH} t_{PHL}	Propagation delay SBA to A_n or SAB to B_n (A or B High)	Waveform 2, 3	6 6	25 21	ns
t_{PZH} t_{PZL}	Output Enable time OE to A_n or B_n	Waveform 5 Waveform 6	4 4	22 22	ns
t_{PHZ} t_{PLZ}	Output Disable time OE to A_n or B_n	Waveform 5 Waveform 6	1 2	10 15	ns
t_{PZH} t_{PZL}	Output Enable time DIR to A_n or B_n	Waveform 5 Waveform 6	4 3	27 19	ns
t_{PHZ} t_{PLZ}	Output Disable time DIR to A_n or B_n	Waveform 5 Waveform 6	1 2	14 15	ns

AC SETUP REQUIREMENTS

SYMBOL	PARAMETER	TEST CONDITION	LIMITS		UNIT
			$T_A = 0^\circ\text{C to } +70^\circ\text{C}$		
			$V_{CC} = 5V \pm 10\%$ $C_L = 50\text{pF}$ $R_L = 500\Omega$		
			Min	Max	
$t_s(H)$ $t_s(L)$	Setup time, High or Low A_n or B_n to CPAB or CPBA	Waveform 4	10	10	ns
$t_h(H)$ $t_h(L)$	Hold time, High or Low A_n or B_n to CPAB or CPBA	Waveform 4	0	0	ns
$t_w(H)$ $t_w(L)$	Pulse width, High or Low CPAB or CPBA	Waveform 1	12.5	12.5	ns

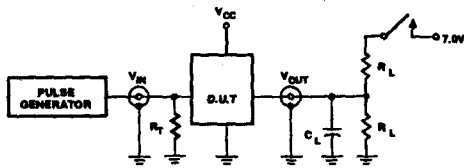
AC WAVEFORMS



Transceivers/Registers

74ALS646,74ALS646-1,74ALS648,74ALS648-1

TEST CIRCUIT AND WAVEFORMS



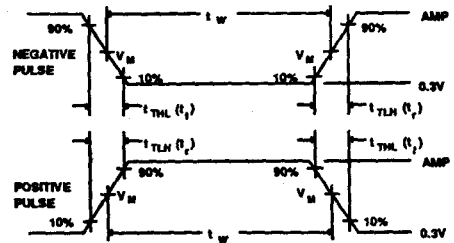
Test Circuit For 3-State and Open Collector Outputs

SWITCH POSITION

TEST	SWITCH
t_{PLZ} , t_{PZL}	closed
Open Collector	closed
All other	open

DEFINITIONS

- R_L = Load resistor; see AC CHARACTERISTICS for value.
- C_L = Load capacitance includes jig and probe capacitance; see AC CHARACTERISTICS for value.
- R_T = Termination resistance should be equal to Z_{OUT} of pulse generators.



$V_M = 1.3V$
Input Pulse Definition

FAMILY	INPUT PULSE REQUIREMENTS				
	Amplitude	Rep. Rate	t_W	t_{TLH}	t_{THL}
74ALS	3.5V	1MHz	500ns	2.0ns	2.0ns

74ALS651, 74ALS651-1 74ALS652, 74ALS652-1 Transceivers/Registers

74ALS651/651-1 Octal Transceiver/Register, Inverting (3-state)

74ALS652/652-1 Octal Transceiver/Register, Non-Inverting (3-state)

Preliminary Specification

FEATURES

- Independent registers for A and B buses
- Multiplexed real-time and stored data
- Choice of non-inverting and inverting data paths
- 3-state outputs
- The -1 version sinks 48mA I_{OL} within the $\pm 5\%$ V_{CC} range

DESCRIPTION

The 74ALS651 and 74ALS652 Transceivers/Registers consist of bus transceiver circuits with 3-state outputs, D-type flip-flops, and control circuitry arranged for multiplexed transmission of data directly from the input bus or the internal registers. Data on the A or B bus will be clocked into the registers as the appropriate clock pin goes High. Output Enable (OEAB, OEBA) and Select (SAB, SBA) pins are provided for bus management. The 74ALS651-1 and 74ALS652-1 will sink 48mA if the V_{CC} is limited to $5.0V \pm 0.25V$.

TYPE	TYPICAL f_{MAX}	TYPICAL SUPPLY CURRENT (TOTAL)
74ALS651/651-1	50MHz	48mA
74ALS652/652-1	50MHz	50mA

ORDERING INFORMATION

PACKAGES	COMMERCIAL RANGE
	$V_{CC} = 5V \pm 10\%$; $T_A = 0^\circ C$ to $+70^\circ C$
24-Pin Plastic Dip	74ALS651N, 74ALS651-1N, 74ALS652N, 74ALS652-1N
24-Pin Plastic SOL	74ALS651D, 74ALS651-1D, 74ALS652D, 74ALS652-1D

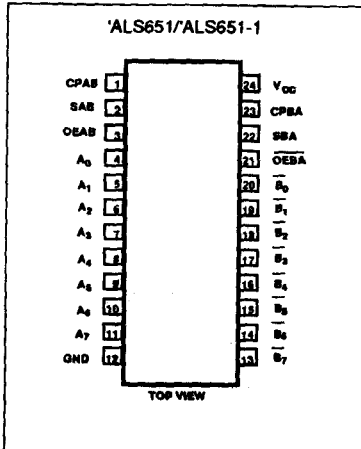
INPUT AND OUTPUT LOADING AND FAN-OUT TABLE

PINS	DESCRIPTION	74ALS(U.L.) HIGH/LOW	LOAD VALUE HIGH/LOW
$A_0 - A_7$	A inputs	1.0/2.0	20 μ A/0.2mA
$B_0 - B_7$	B inputs	1.0/2.0	20 μ A/0.2mA
CPAB	A-to-B clock input	1.0/2.0	20 μ A/0.2mA
CPBA	B-to-A clock input	1.0/2.0	20 μ A/0.2mA
SAB	A-to-B select input	1.0/2.0	20 μ A/0.2mA
SBA	B-to-A select input	1.0/2.0	20 μ A/0.2mA
OEAB	A-to-B output enable input	1.0/2.0	20 μ A/0.2mA
OEBA	B-to-A output enable input	1.0/2.0	20 μ A/0.2mA
A_n, B_n	Outputs	750/240	15mA/24mA
A_n, B_n	Outputs (-1 version)	750/480	15mA/48mA

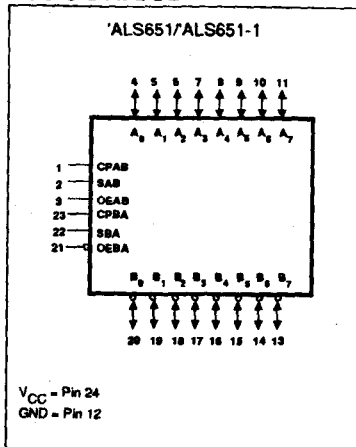
NOTE:

One (1.0) ALS Unit Load is defined as: 20 μ A in the High state and 0.1mA in the Low state.

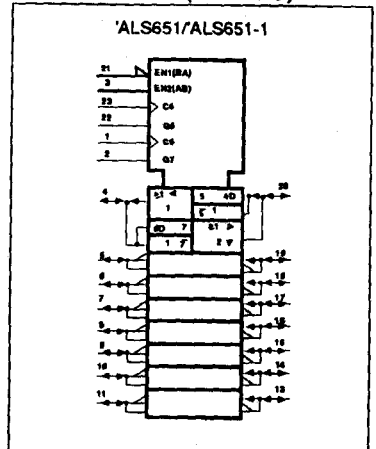
PIN CONFIGURATION



LOGIC SYMBOL



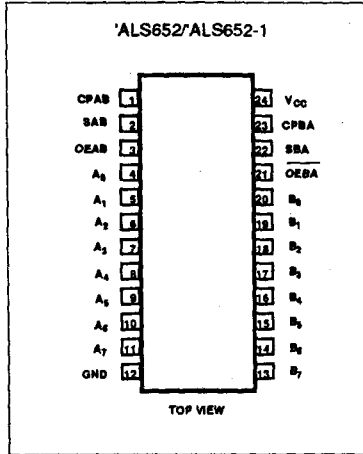
LOGIC SYMBOL (IEEE/IEC)



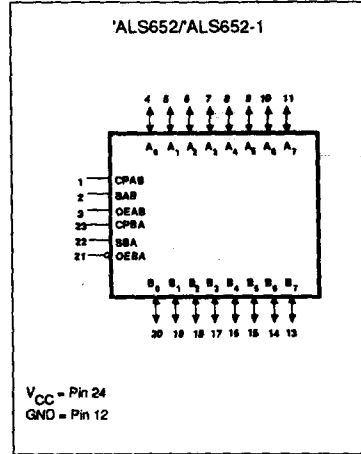
Transceivers/Registers

74ALS651, 74ALS651-1, 74ALS652, 74ALS652-1

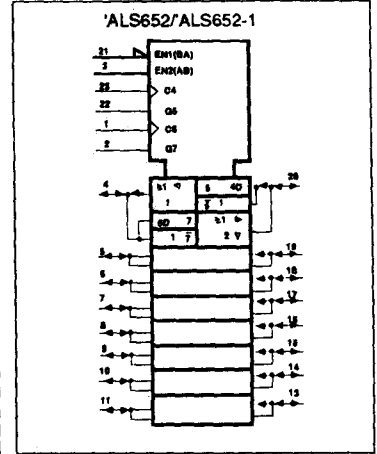
PIN CONFIGURATION



LOGIC SYMBOL



LOGIC SYMBOL (IEEE/IEC)

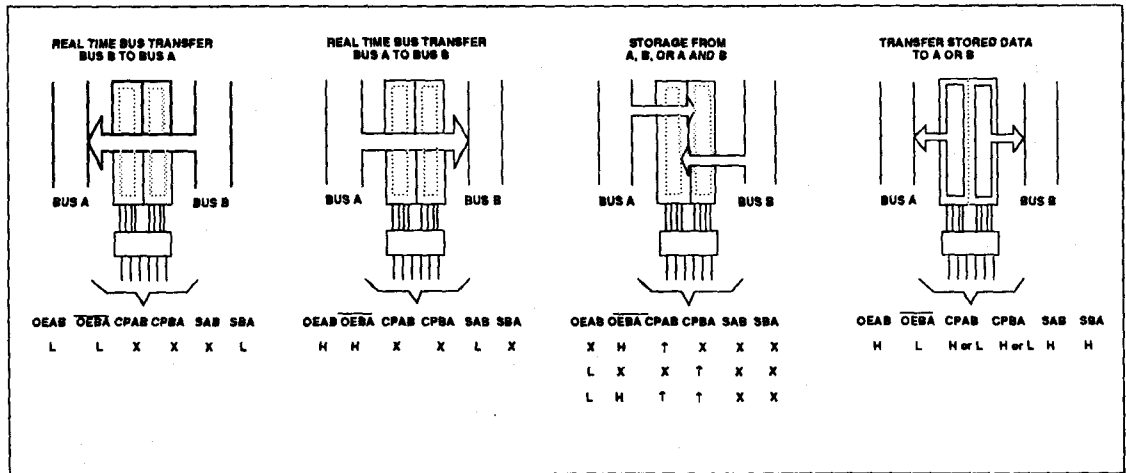


The following examples demonstrate the four fundamental bus-management functions that can be performed with the 'ALS651/'ALS651-1

and 'ALS652/'ALS652-1. The select pins determine whether data is stored or transferred through the device in

real time.

The output enable pins determine the direction of the data flow.



Transceivers/Registers

74ALS651, 74ALS651-1, 74ALS652, 74ALS652-1

FUNCTION TABLE

INPUTS					DATA I/O		OPERATING MODE	
OEAB	OEBA	CPAB	CPBA	SAB SBA	A _n	B _n	'ALS651/'ALS651-1	'ALS652/'ALS652-1
L	H	H or L	H or L	X X	Input	Input	Isolation Store A and B data	Isolation Store A and B data
L	H	↑	↑	X X	Input	Input	Store A, Hold B Store A in both registers	Store A, Hold B Store A in both registers
X	H	↑	H or L	X X	Input	Unspecified output *	Store A, Hold B Store A in both registers	Store A, Hold B Store A in both registers
H	H	↑	↑	** X	Input	Unspecified output *	Store A, Hold B Store A in both registers	Store A, Hold B Store A in both registers
L	X	H or L	↑	X X	Unspecified output *	Input	Hold A, Store B Store B in both registers	Hold A, Store B Store B in both registers
L	L	↑	↑	X **	Unspecified output *	Input	Hold A, Store B Store B in both registers	Hold A, Store B Store B in both registers
L	L	X X	X X	X L	Output	Input	Real time B data to A bus Stored B data to A bus	Real time B data to A bus Stored B data to A bus
L	L	X	H or L	X H	Output	Input	Real time B data to A bus Stored B data to A bus	Real time B data to A bus Stored B data to A bus
H	H	X X	L X	L X	Input	Output	Real time A data to B bus Stored A data to B bus	Real time A data to B bus Stored A data to B bus
H	H	H or L	X	H X	Input	Output	Real time A data to B bus Stored A data to B bus	Real time A data to B bus Stored A data to B bus
H	L	H or L	H or L	H H	Output	Output	Stored A data to B bus Stored B data to A bus	Stored A data to B bus Stored B data to A bus

H= High voltage level
L= Low voltage level

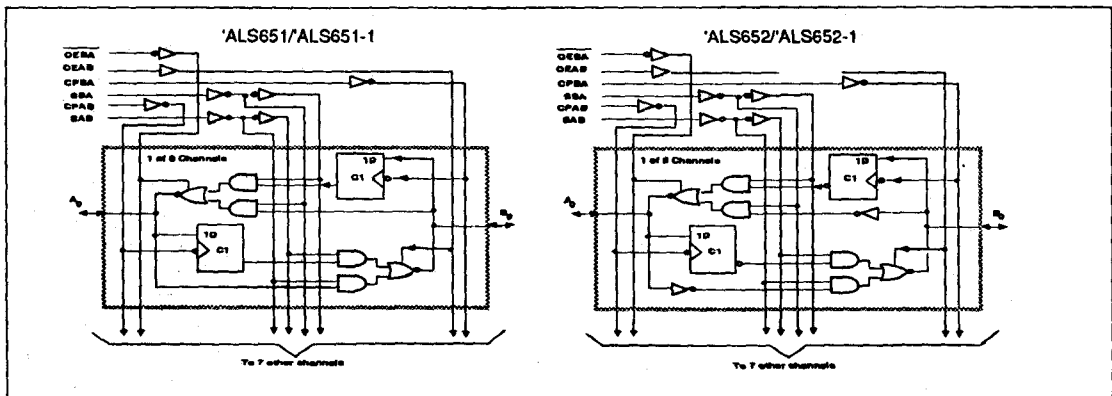
*= The data output function may be enabled or disabled by various signals at the OEBA and OEAB inputs. Data input functions are always enabled, i.e., data at the bus pins will be stored on every Low-to-High transition of the clock.

↑ =Low-to-High clock transition

X=Don't care

** If Select control = L, then clocks can occur simultaneously. If Select control = H, the clocks must be staggered in order to load both registers.

LOGIC DIAGRAM



ABSOLUTE MAXIMUM RATINGS (Operation beyond the limits set forth in this table may impair the useful life of the device. Unless otherwise noted these limits are over the operating free-air temperature range.)

SYMBOL	PARAMETER	RATING	UNIT
V _{CC}	Supply voltage	-0.5 to +7.0	V
V _{IN}	Input voltage	-0.5 to +7.0	V
I _{IN}	Input current	-30 to +5	mA
V _{OUT}	Voltage applied to output in High output state	-0.5 to +V _{CC}	V
I _{OUT}	Current applied to output in Low output state (All versions)	48	mA
I _{OUT}	Current applied to output in Low output state (-1 version)	96	mA
T _A	Operating free-air temperature range	0 to +70	°C
T _{STG}	Storage temperature	-65 to +150	°C

Transceivers/Registers

74ALS651, 74ALS651-1, 74ALS652, 74ALS652-1

RECOMMENDED OPERATING CONDITIONS

SYMBOL	PARAMETER	LIMITS			UNIT
		Min	Nom	Max	
V_{CC}	Supply voltage	4.5	5.0	5.5	V
V_{IH}	High-level input voltage	2.0			V
V_{IL}	Low-level input voltage			0.8	V
I_{IK}	Input clamp current			-18	mA
I_{OH}	High-level output current			-15	mA
I_{OL}	Low-level output current	All versions		24	mA
		-1 version		48 ¹	mA
T_A	Operating free-air temperature range	0		70	°C

1. The 48 mA limit applies only under the condition of $V_{CC}=5.0V\pm 5\%$.

DC ELECTRICAL CHARACTERISTICS (Over recommended operating free-air temperature range unless otherwise noted.)

SYMBOL	PARAMETER		TEST CONDITIONS ¹			LIMITS			UNIT	
						Min	Typ ²	Max		
V_{OH}	High-level output voltage		$V_{CC} \pm 10\%$	$V_{IL} = \text{MAX}$ $V_{IH} = \text{MIN}$	$I_{OH} = -0.4\text{mA}$	$V_{CC} - 2$			V	
			$V_{CC} = \text{MIN}$		$I_{OH} = -3\text{mA}$	2.4	3.2	V		
					$I_{OH} = -15\text{mA}$	2.0		V		
V_{OL}	Low-level output voltage	All versions	$V_{CC} = \text{MIN}$	$V_{IL} = \text{MAX}$ $V_{IH} = \text{MIN}$	$I_{OL} = 12\text{mA}$		0.25	0.4	V	
		-1 version	$V_{CC} = 4.75\text{V}$		$I_{OL} = 24\text{mA}$		0.35	0.5	V	
						$I_{OL} = 48\text{mA}$		0.35	0.5	V
V_{IK}	Input clamp voltage		$V_{CC} = \text{MIN}, I_I = I_{IK}$				-0.73	-1.2	V	
I_I	Input current at maximum input voltage		Control inputs	$V_{CC} = \text{MAX}, V_I = 7.0\text{V}$					0.1	mA
			A or B ports	$V_{CC} = \text{MAX}, V_I = 5.5\text{V}$					0.1	mA
I_{IH}	High-level input current ³		$V_{CC} = \text{MAX}, V_I = 2.7\text{V}$					20	μA	
I_{IL}	Low-level input current ³		$V_{CC} = \text{MAX}, V_I = 0.4\text{V}$					-0.2	mA	
I_O	Short-circuit output current ⁴		$V_{CC} = \text{MAX}, V_O = 2.25\text{V}$			-30		-112	mA	
I_{CC}	Supply current (total)		$V_{CC} = \text{MAX}$	I_{CCH}			42	68	mA	
				I_{CCL}			52	82	mA	
				I_{CCZ}			52	82	mA	
				I_{CCH}			47	76	mA	
				I_{CCL}			55	88	mA	
				I_{CCZ}			55	88	mA	

NOTES:

- For conditions shown as MIN or MAX, use the appropriate value specified under recommended operating conditions for the applicable type.
- All typical values are at $V_{CC} = 5\text{V}$, $T_A = 25^\circ\text{C}$.
- For I/O ports, the parameters I_{IH} and I_{IL} include the off-state current.
- The output conditions have been chosen to produce current that closely approximates one half of the true short-circuit output current, I_{OS} .

Transceivers/Registers

74ALS651, 74ALS651-1, 74ALS652, 74ALS652-1

AC ELECTRICAL CHARACTERISTICS for 'ALS651/'ALS651-1

SYMBOL	PARAMETER	TEST CONDITION	LIMITS		UNIT
			$T_A = 0^\circ\text{C to } +70^\circ\text{C}$		
			$V_{CC} = 5V \pm 10\%$ $C_L = 50\text{pF}$ $R_L = 500\Omega$		
			Min	Max	
f_{MAX}	Maximum clock frequency	Waveform 1	40		MHz
t_{PLH} t_{PHL}	Propagation delay CPBA or CPAB to B_n or A_n	Waveform 1	10 5	32 17	ns
t_{PLH} t_{PHL}	Propagation delay A_n to B_n or B_n to A_n	Waveform 3, 4	4 2	18 10	ns
t_{PLH} t_{PHL}	Propagation delay SBA to A_n or SAB to B_n (A or B Low)	Waveform 3, 4	13 7	38 21	ns
t_{PLH} t_{PHL}	Propagation delay SBA to A_n or SAB to B_n (A or B High)	Waveform 3, 4	8 7	25 21	ns
t_{PZH} t_{PZL}	Output Enable time OEBA to A_n	Waveform 8 Waveform 9	5 5	20 18	ns
t_{PHZ} t_{PLZ}	Output Disable time OEBA to A_n	Waveform 8 Waveform 9	2 3	9 12	ns
t_{PZH} t_{PZL}	Output Enable time OEAB to B_n	Waveform 8 Waveform 9	7 7	22 21	ns
t_{PHZ} t_{PLZ}	Output Disable time OEAB to B_n	Waveform 8 Waveform 9	2 2	12 14	ns

AC ELECTRICAL CHARACTERISTICS for 'ALS652/'ALS652-1

SYMBOL	PARAMETER	TEST CONDITION	LIMITS		UNIT
			$T_A = 0^\circ\text{C to } +70^\circ\text{C}$		
			$V_{CC} = 5V \pm 10\%$ $C_L = 50\text{pF}$ $R_L = 500\Omega$		
			Min	Max	
f_{MAX}	Maximum clock frequency	Waveform 1	40		MHz
t_{PLH} t_{PHL}	Propagation delay CPBA or CPAB to B_n or A_n	Waveform 1	10 5	30 17	ns
t_{PLH} t_{PHL}	Propagation delay A_n to B_n or B_n to A_n	Waveform 3, 4	5 3	18 12	ns
t_{PLH} t_{PHL}	Propagation delay SBA to A_n or SAB to B_n (A or B Low)	Waveform 3, 4	15 6	35 20	ns
t_{PLH} t_{PHL}	Propagation delay SBA to A_n or SAB to B_n (A or B High)	Waveform 3, 4	8 5	25 20	ns
t_{PZH} t_{PZL}	Output Enable time OEBA to A_n	Waveform 8 Waveform 9	3 5	17 18	ns
t_{PHZ} t_{PLZ}	Output Disable time OEBA to A_n	Waveform 8 Waveform 9	1 2	10 16	ns
t_{PZH} t_{PZL}	Output Enable time OEAB to B_n	Waveform 8 Waveform 9	8 6	22 18	ns
t_{PHZ} t_{PLZ}	Output Disable time OEAB to B_n	Waveform 8 Waveform 9	1 2	10 16	ns

Transceivers/Registers

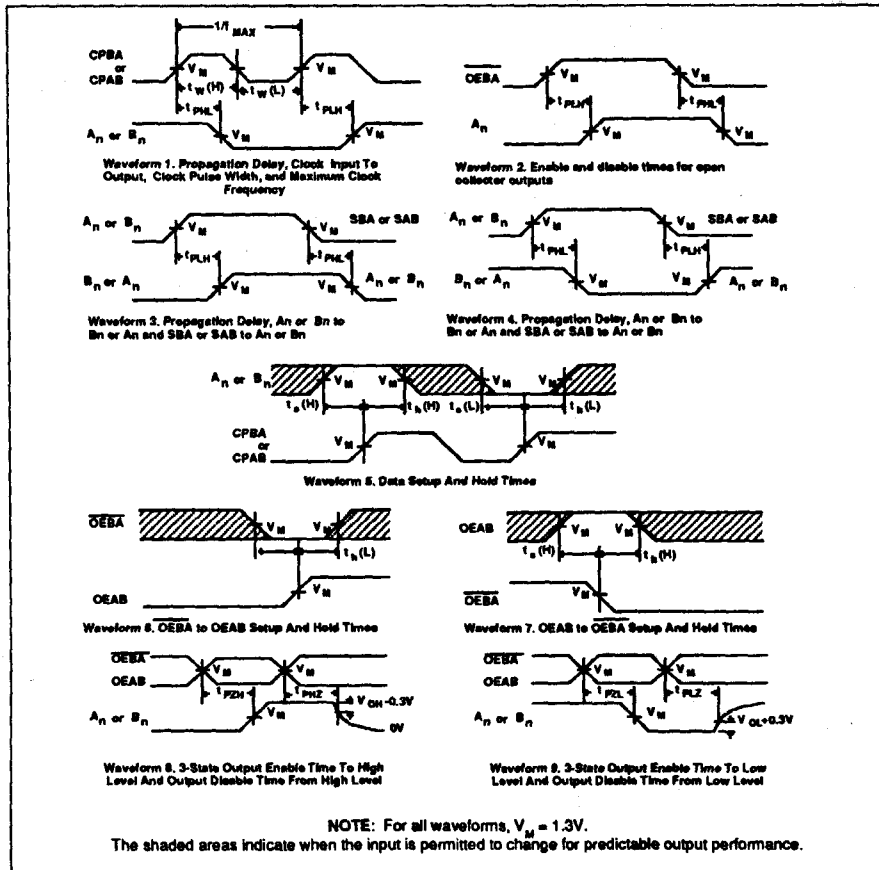
74ALS651, 74ALS651-1, 74ALS652, 74ALS652-1

AC SETUP REQUIREMENTS

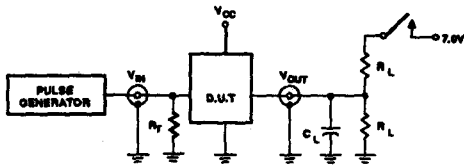
SYMBOL	PARAMETER	TEST CONDITION	LIMITS		UNIT
			$T_A = 0^\circ\text{C to } +70^\circ\text{C}$		
			$V_{CC} = 5V \pm 10\%$ $C_L = 50\text{pF}$ $R_L = 500\Omega$		
Min	Max				
$t_s(H)$ $t_s(L)$	Setup time, High or Low A_n or B_n to CPAB or CPBA	Waveform 5	10		ns
$t_h(H)$ $t_h(L)$	Hold time, High or Low A_n or B_n to CPAB or CPBA	Waveform 5	0		ns
$t_s(H)$ $t_s(L)$	Setup time, High or Low ¹ OEBA to OEAB or OEAB to OEBA	Waveform 6, 7	10		ns
$t_h(H)$ $t_h(L)$	Hold time, High or Low OEBA to OEAB or OEAB to OEBA	Waveform 6, 7	0		ns
$t_w(H)$ $t_w(L)$	Pulse width, High or Low CPAB or CPBA	Waveform 1	12.5		ns

Note : 1. Setup time is to protect against current surge caused by enabling 16 outputs (24mA per output) simultaneously.

AC WAVEFORMS



TEST CIRCUIT AND WAVEFORMS



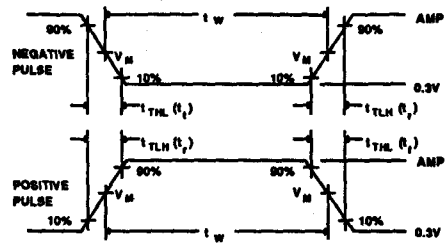
Test Circuit For 3-State and Open Collector Outputs

SWITCH POSITION

TEST	SWITCH
t_{PLZ} , t_{PZL}	closed
Open Collector	closed
All other	open

DEFINITIONS

- R_L = Load resistor; see AC CHARACTERISTICS for value.
- C_L = Load capacitance includes jig and probe capacitance; see AC CHARACTERISTICS for value.
- R_T = Termination resistance should be equal to Z_{OUT} of pulse generators.



$V_M = 1.3V$
Input Pulse Definition

FAMILY	INPUT PULSE REQUIREMENTS				
	Amplitude	Rep. Rate	t_W	t_{TLH}	t_{THL}
74ALS	3.5V	1MHz	500ns	2.0ns	2.0ns



Section 6 ALS Application Note

INDEX

AN203 Test Fixtures for High-Speed Logic	6-3
--	-----



AN203

Test Fixtures for High-Speed Logic

Application Note

INTRODUCTION

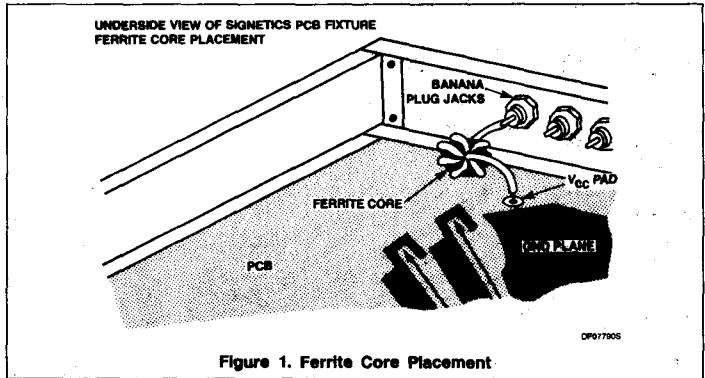
The Signetics Standard Products Division (SPD) operates a Characterization Laboratory in Orem, Utah. This Lab maintains the capability of testing the 11 logic product families the Division supports. These include: AuTTL-74XXX, Schottky-74SXXX, Low-Power Schottky-74LSXXX, FAST-74FXXX, ALS-74ALSXXX, High-Speed CMOS-74HCXXX, High-Speed CMOS/TTL-74HCTXXX, Advanced CMOS/TTL (ACL)-74ACT11XXX, Advanced CMOS (ACL)-74AC11XXX, and both 10K and 100K ECL.

Due to the great diversity of product families and the different testing requirements and complexity of the product types of each family, Signetics SPD Characterization has designed and built a bench test AC fixture that is specifically designed to address to only the High-speed logic families. It has the advantages of being very versatile, has high bandwidth capability ($\geq 750\text{MHz}$), is 50Ω system compatible, and is manually programmable for the input static voltages. This provides the ability to have one fixture that addresses many product types across families. The extent of this versatility is explained in the following Application Note. The families that this fixture is intended to support are: FAST, ALS, ACL, 10K ECL, and 100K ECL (Note: This fixture is compatible with any 500Ω pulldown load.)

THEORY OF OPERATION

There are several key points in testing the faster edge-rate logic families. They are:

- Very good bypassing and decoupling (they are different).
- Large ground and V_{CC} planes.
- Low-impedance signal lines (i.e., 50Ω)
- Signal lines that are uniform in impedance over frequency
- Signal lines must have high bandwidth ($> 500\text{MHz}$)
- Low-inductance paths for the DUT leads, including V_{CC} and GND
- Output AC load close to the DUT



- Measurement point close to the DUT
- Avoidance of ground loops (especially on inputs at DC levels)

Additional items of concern to the test engineer and the manager are:

- Versatility and/or ease of use (there are trade-offs)
- Cost
- The number of fixtures needed to support products

Each of these concerns have merit and must be understood by the user of these logic families if valid and correlatable results are to be found.

V_{CC} and GND

The secret in V_{CC} and GND use in fixturing is to do the things that reduce the noise that can: 1) get to your part, and 2) come from your part. This is done by reducing the noise of the V_{CC} as it arrives to the fixture, by judicious application of frequency dependant bypassing at the DUT V_{CC} pin to GND and reducing inductance from the V_{CC} and GND pins of the DUT to the point where good contact of the bypassing and V_{CC} and GND planes occur. All of these are techniques used in good RF and microwave board design. By reducing parasitic inductances and

cleaning up any sources of noise, good signal integrity is better maintained.

These points are evident in the fixture. Signetics has designed. Part of the noise reduction of the power supply as it arrives is done by bypassing the power supply at its terminals. The power is then brought to the fixture via banana cables, (as short as possible), to jacks on the chassis of the fixture. An 18 gauge wire, attached to the jack, is wrapped through a $\frac{3}{4}$ inch ferrite core 8 to 12 times for decoupling of any spikes. (Details of the cores used are included in the parts list.) This acts as a Low-pass filter. The wire is then soldered to the bottom of the PC board onto the large V_{CC} plane that narrows to the V_{CC} bus running between the pins of the DUT. See Figures 1 and 2 for detail.

Triangle-shaped, the V_{CC} plane provides a Low inductive path for the V_{CC} to the DUT pin. See Figure 2 for the board layouts. The V_{CC} bus from this plane travels down between the DUT pins to that connection. This is so connection to the V_{CC} bus is easy and very short. The DUT may have V_{CC} located on any pin with this configuration. The pin is connected to the V_{CC} bus by soldering small copper braid or similar Low-inductance wire capable of carrying the current for the device, see Figure 3.

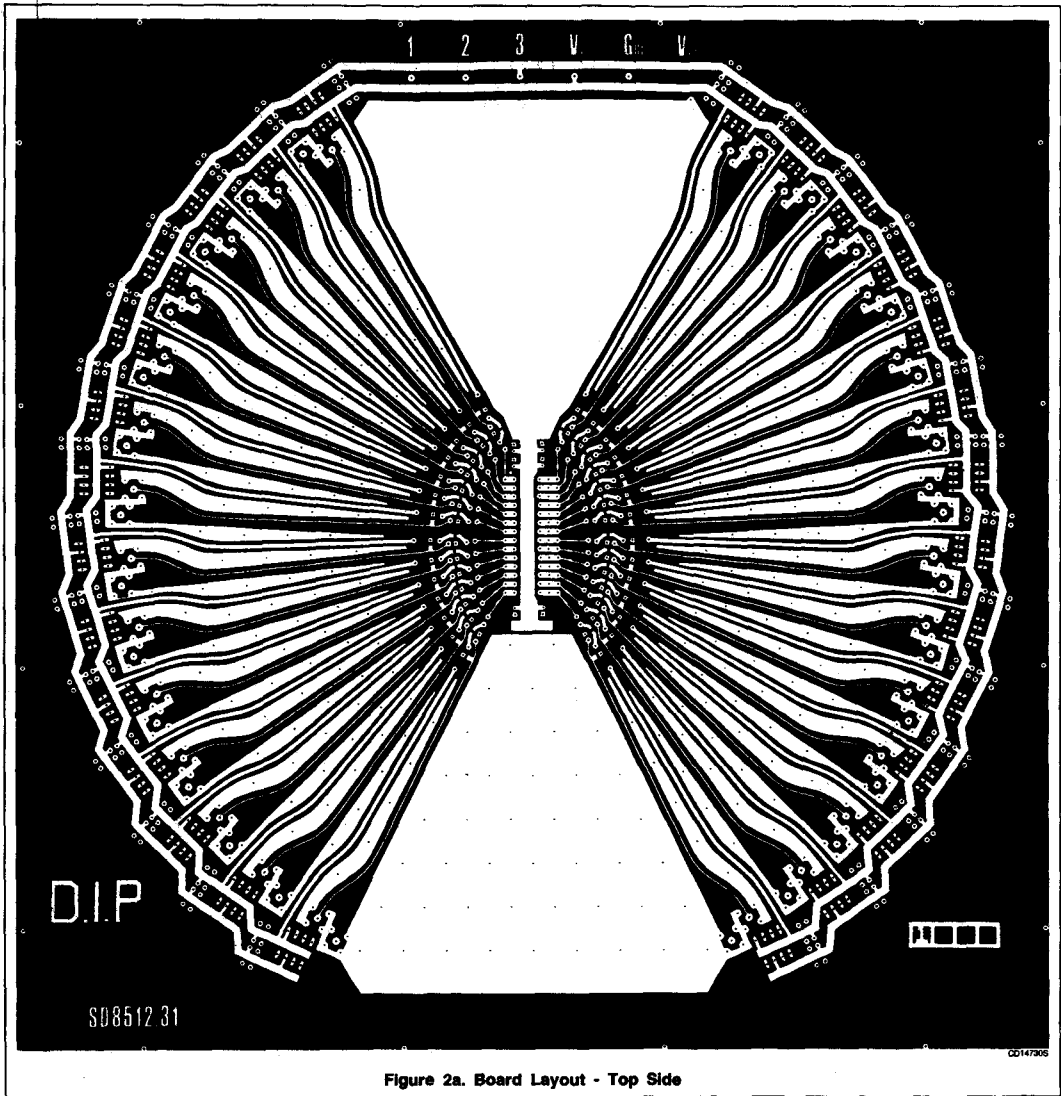
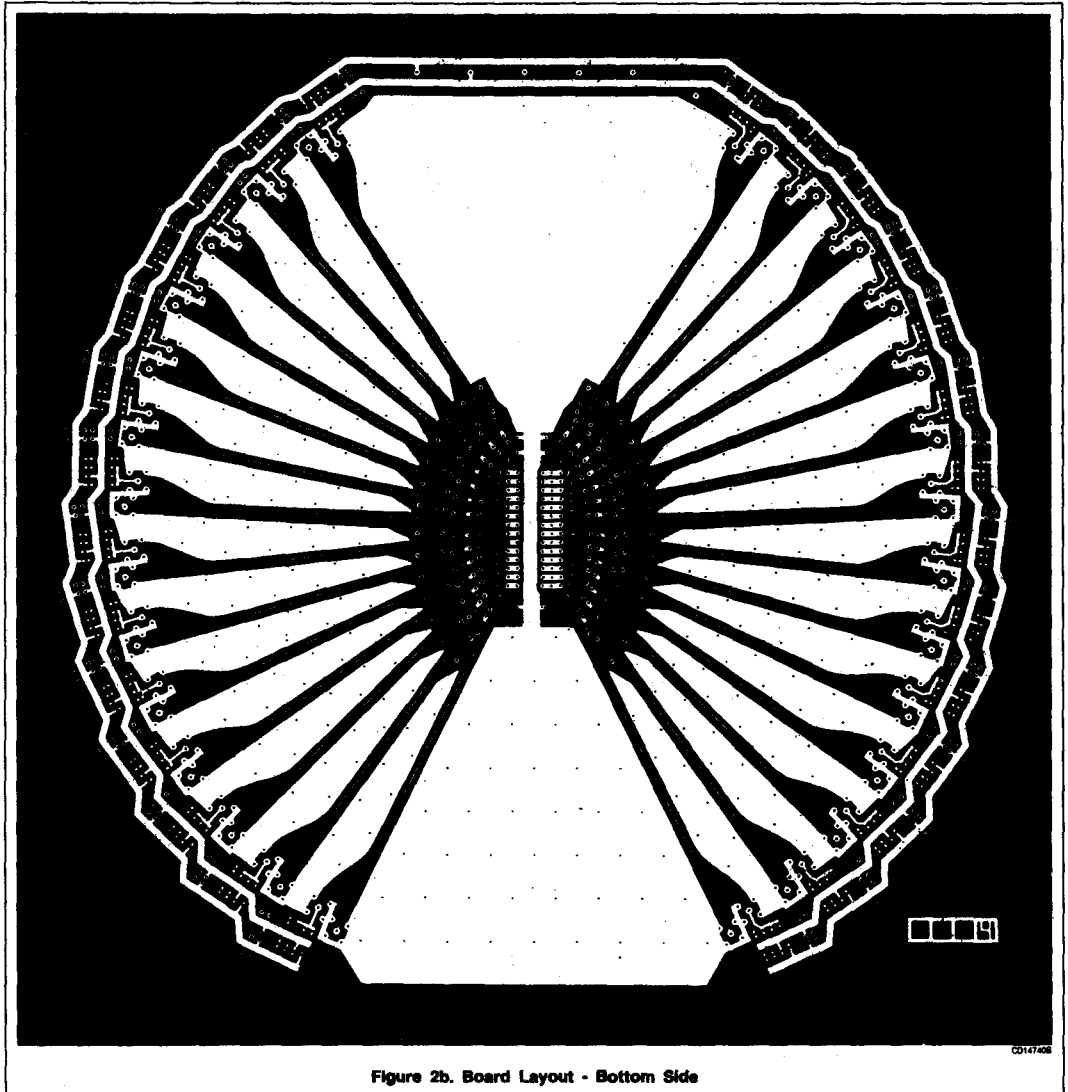


Figure 2a. Board Layout - Top Side

Test Fixtures for High-Speed Logic

AN203



Test Fixtures for High-Speed Logic

AN203

On the opposite side of the top layer of the board is a triangle-shaped ground plane. Ground planes are also located on the bottom layer of the board in the same places as the V_{CC} and ground planes of the top layer. Since this fixture is laid out for 50Ω stripline, layers 2 and 3 are almost total ground plane, with holes in them for feed-throughs and components. Also found between the signal lines, on the top and bottom layers, are ground plane "fingers" that are connected to all 4 layers by plated-through holes. This provides good separation of the signal lines resulting in lower crosstalk.

The bottom layer ground plane consists of two triangle-shaped planes connected by a bus strip that runs between the DUT pins. This was done for 3 reasons: First, this allows connection of any ground pin of the DUT to the ground, regardless of location; like the V_{CC} connection on the top layer. Second, it allows the connection of the bypass capacitors from the V_{CC} pin to the ground with the shortest possible lead length. Characterization uses typically 2 or 3 ceramic chip capacitors and 1 or 2 dipped tantalum capacitors (35V) to bypass the V_{CC} pin. It is important to keep the dipped tantalum capacitor's leads as short as possible to reduce series inductance. The recommended values of capacitors are: 100pf, .01 μ f, .1 μ f, and 10 μ f. We have found at times, the need to adjust these values depending upon the product type and its performance. Some noise sensitive circuits need more bypassing in the lower and extreme higher values of capacitance. And third, the connection of the two planes eliminates possible ground loops and the feed-throughs create a ground mesh and give an excellent ground plane for the circuit. Figure 3 illustrates the bypass connections.

BYPASS AND DECOUPLING

It is important to understand the difference between decoupling, as with the ferrite core,

and bypassing, as with capacitors. Decoupling occurs as or high-frequency signals are removed by saturation of the ferrite core. This prevents "noise" that may be on the V_{CC} power supply from getting on the V_{CC} plane. The action of the bypassing capacitors is to: 1) "pass" any non-DC signals that occur on the V_{CC} (due to the part's operation) to ground, and 2) be able to provide the "instantaneous" current demands of the part as it switches.

The various values of capacitors are intended to provide a Low-impedance path at all operating frequencies. Since real-world capacitors have resonance points at a given frequency, depending upon their value and type of capacitor (and actually turn inductive above the resonance point), using different values that have different resonance points allows an across-frequency Low-impedance path for V_{CC} noise.

An important point in the use of bypass capacitors is the minimization of lead length. Lead length represents inductance; inductance in series with the capacitance. If it is too much, it can cause resonance and oscillation problems with the part and/or power supplies and nullify the benefit of the capacitors. It also plays a major part in inhibiting the effect of the "instantaneous" current response needed by the part from the bypass capacitors. It actually can cause the ground of the device to track the change in current to the degree of the lead inductance. The lower the inductance, the lower the "ground bounce" effect. Hence, short or no lead lengths on capacitors are needed to help prevent the effects of ground bounce.

SIGNAL LINES

A signal line is defined as a line that carries the input stimulus, either DC or AC, or output response, to or from the device. Since these

signals are measured and determine the data which characterizes the part, it is critical that they are of the highest integrity and represent, as far as physically possible, the action of the part; not the nuances of the fixture. To achieve this, the line must not be able to change the signal over the measurable frequencies of the device, nor affect the delay of the part.

The fixture as designed, has 50Ω signal lines determined by a stripline layout method. The 50Ω value was selected for several reasons: 1) the 50Ω value matches impedance with the pulse generators that are used as input stimulus. 2) The output loads specified for this fixture are either a 500Ω pulldown or a 50Ω pulldown (ECL), in parallel with a capacitive load. This allows the 50Ω signal line to be terminated into this load for either a 10:1 or a 1:1 match. 3) A Low-impedance line will have better characteristics with regards to crosstalk and resisting external noise.

There are two types of signal lines on this fixture: input and output; both of which are 50Ω transmission lines. The input line is on the top side of the board and is always terminated in 50Ω . It is connected to the DUT via a .3" jumper, Jumper #1 for input. When this jumper is installed, the DUT pin is available only as an input. To allow this line to be used as an output, a .1" jumper, Jumper #1 for output, is used instead of the .3" jumper. This connects the DUT pin to the AC load when the DUT pin is an output. See Figure 5.

The output signal line can be dedicated two different ways. The first method, used for ECL, is to leave shorted the 50Ω trace and have it run directly into the SMB connector into the 50Ω sampling system. The second method is to cut the trace at the DUT pin and solder the 450Ω chip resistor, R1, across the cut. This, combined with the 50Ω scope, then appears to the part as either a 500Ω probe for the input signal or the 500Ω output AC load for the output signal.

The signal lines are equal length and therefore do not introduce any extraneous delay from pin to pin. We also characterized the impedance of the lines over frequency to ensure minimal distortion over the frequency range and any effective change in propagation delay caused by the relationship of inductance and group delay. Figure 4 illustrates the frequency response of the signal lines in impedance.

This is considered to be high bandwidth and encompasses the frequency range exhibited by ALS, ACL, ELC, and FAST logic families.

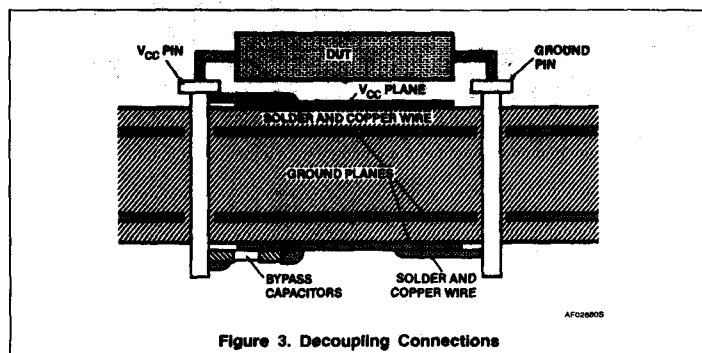


Figure 3. Decoupling Connections

Test Fixtures for High-Speed Logic

AN203

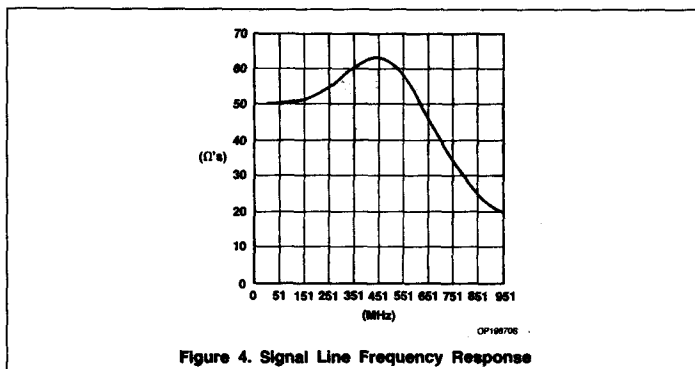


Figure 4. Signal Line Frequency Response

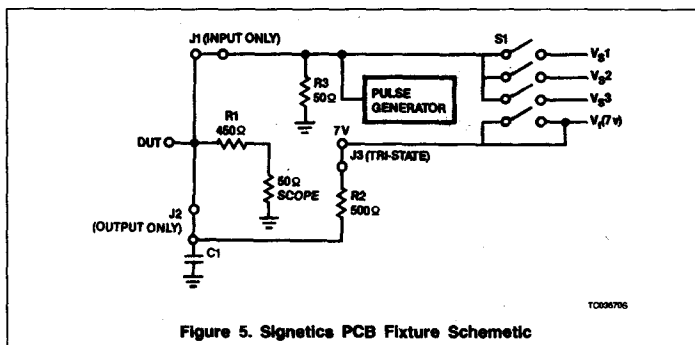


Figure 5. Signetics PCB Fixture Schematic

load virtually on the pin of the device, would show the ground bounce phenomena for simultaneous switching to be less than that of this fixture. However, this fixture can be so dedicated by not using the pads as provided, but rather by using the ground bus, like the bypass capacitors used. The flexibility of this fixture substantially reduces the cost of fixturing for these families. Studies on simultaneous switching with this fixture have shown dramatically favorable results to previous fixtures. Those studies continue. For work other than that of simultaneous switching, there will be no appreciable difference with a dedicated fixture.

As illustrated in Figure 5, the load is shared with the 50Ω input of the measurement system; a 50Ω sampling oscilloscope. The 450Ω resistor: R1, is soldered to the socket pin of the device and is in series with the 50Ω input of the scope. Figure 6 illustrates this on the board layout of one input/output pin. This allows virtually a probe tip on the device pin. The load capacitor: C1, is a 33pF ceramic chip capacitor. This is added to the measured value of 17pF of board capacitance, achieving the 50pF value specified for the load. The distance from the pin to the capacitor is .5 inches and is adequate for the testing of these product families.

For testing 3-State parameters, the 500Ω resistor: R2, is connected to its pullup supply. V_1 via a .3" jumper: Jumper #2. The V_1 supply is bussed to each pin and may or may not be connected with that jumper. See Figures 5 and 6.

ECL Implementation

When testing ECL product, the 450Ω resistor: R1, is not used. Rather, this point is left shorted together in the construction process. Also for ECL, the load chip capacitor: C1, the tri-state pull-up resistor: R2, the 50Ω terminator: R3, and the "output only" jumper: Jumper #1, are not used. The input signal travels down the input path, is jumpered using the "input only" (Jumper #1), goes to the device, travels out the output path (left shorted, no R1), and proceeds to the scope. When the signal is an output, the "input only" jumper: Jumper #1, is removed and a 50Ω terminator is connected to the SMB connector as the load or the 50Ω input of the scope. See Figure 7.

LOADING

The explanation of the two types of AC loads that may be used will be covered in two parts. First the ALS, ACL, and FAST implementation will be discussed, then the ECL implementation.

ALS, ACL, and FAST Implementation

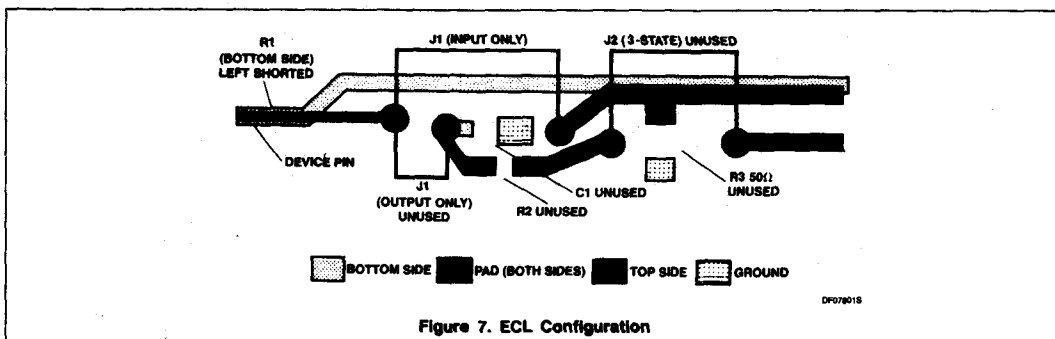
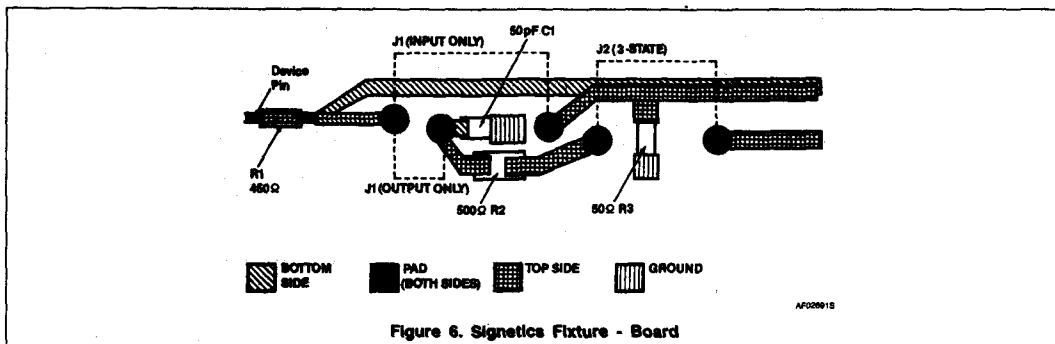
The FAST, ALS, and ACL product families AC load is specified as a 50pF capacitor and a 500Ω resistor in parallel. This load has the advantage of being adaptable to both a High-impedance (A.T.E.) or a Low-impedance (bench) measurement environment. The Signetics fixture uses a Low-impedance environment primarily for two reasons. The first reason is that experience of the last 5 years has told us that High-impedance probes represent a reliability concern and can introduce

hard to detect errors into the waveform. The second reason being that most suppliers of these technologies provide data based upon the Low-impedance approach and most large users of these products do so as well. This also allows the fixture to be used for ECL testing since that product uses a totally 50Ω environment. Figure 5 illustrates how this test fixture implements the 50pF/500Ω load schematically.

The fixture was laid out to present the load as close as possible to the device, and yet allow for flexibility in deciding if a certain pin is an output or an input. This distance is critical due to its inductive effect upon ground bounce phenomena. *It is acknowledged here that a fixture dedicated to a single device type without jumpers, and therefore placing the*

Test Fixtures for High-Speed Logic

AN203



Test Fixtures for High-Speed Logic

AN203

INPUT STIMULUS AND MEASUREMENT

When the input is not used for a signal input, the line may be switched to one of three voltage sources: $V_S 1$ through $V_S 3$, by the use of a DIP switch on each pin. It may also be left open and then the 50Ω pulldown resistor: R1, pulls the line to ground and can be used as a hard low level. See Figure 5. These voltage levels are brought in from external supplies through banana connectors like V_{CC} . This scheme eliminates excessive cabling to each input to provide the static input levels and thereby reduces parasitic inductances and cross-talk. Each of the 3 busses and the V_i bus all have places for bypass capacitors in the event of noise on the static levels. Figure 8 illustrates the DIP switch and SMB connectors and how they control the input stimulus and output measurement.

As stated previously, the measurements are made with 50Ω sampling systems. The connections to these systems are made via SMB connectors. This was chosen since it is compatible with SMC; it is push-on, it is small for easy configuration, and it is capable of high bandwidth operation. Figure 8 illustrates where the connections are made, where the pulse generators connect to the input and an SMB connector. Since the 450Ω resistor: R1, is soldered directly to the pin of the device, the actual probe tip is at that point. See Figure 6. This has the advantage of eliminating any distance from the device to the probe tip, thus guaranteeing accurate results.

VERSATILITY AND COST

At some point, there is a choice between the most technically attractive options and the cost of options. This fixture has been primarily designed to optimize the cost effectiveness of test fixturing yet yielding a technically sound tool. To do this, a compromise has been made between the ease of use and the versatility.

In the construction of the fixture, a choice is made as to where the V_{CC} and GND pins are to be located. This then dedicates this particular fixture to part types with this V_{CC} and GND configurations. This is also done with a

dedicated fixture. However, on a dedicated fixture, the pins are individually constructed to be either an input or an output, and in so doing, the fixture is usable for 1-to-4 devices. The Signetics fixture, once dedicated to a particular V_{CC} and GND configuration, is built up to have both input and output components on all signal pins. The selection of which pin is an output or an input is made by inserting the appropriate jumper, See Figures 5 and 6. The same applies in doing tri-state testing. The tradeoff here is that it would probably take less time to setup the dedicated fixture than the Signetics fixture. To help compensate for that tradeoff, we have the three V_S supplies that may be switched into any pin to provide input static levels and eliminate the need to bus input High or Low levels by external cabling. For the user that means the only connections being made to the fixture are:

- the V_{CC} (banana jack)
- the GND (banana jack): this is the common ground of all input supplies.
- the $V_S 1$, $V_S 2$, and $V_S 3$ supplies (banana jack): these may be any voltage and are switchable. Signetics connects programmable supplies to these connectors.
- the V_i supply (banana jack): this is the 3-State pullup voltage and is permanently connected to the bus to each pin. It is selectable by Jumper #2, see Figures 5 and 6. For FAST and ALS products this is $7V$. For ACL products this is $V_{CC} \times 2$ and it is not used for ECL applications.
- Input Stimulus (inside SMB connector: this is found on every input/output pin. More than one pin may be used in this manner. **CAUTION: When using this connector as an input stimulus, make sure V_{S-1} , V_{S-2} , V_{S-3} are disconnected. This will short the power supplies to the generator if they are not disconnected.**
- Output Measurement or Scope Connection (outside SMB connector: this is also found on every input/output pin.

More than one pin may be used in this manner. **Remember**, if this pin is not connected to a scope and is an output, a 50Ω resistor must be connected here to ground to complete the 50Ω resistive load. Signetics has constructed 50Ω load by soldering a high-quality (High-frequency) 50Ω resistor inside a female SMB cable connector. See Figure 9.

CAUTION: V_{S-1} , V_{S-2} , and V_{S-3} are all on the same DIP switch. Since they connect to the same bus per pin, ONLY ONE SUPPLY MAY BE CONNECTED AT ONE TIME. Otherwise, this will result in a short between power supplies connected.

With these 6 connections, the fixture is capable of testing the product lines as mentioned.

The cost of this fixture ranges from 550 per fixture, dedicated to a 20-pin device in quantities of 1-10, to as low as 385 per fixture of the same type in quantities over 100. This is not substantially higher than the cost of a dedicated fixture; which is estimated at 200-500. The factor to consider would be the quantity of fixtures for the number of products to be tested. To have a dedicated fixture for every 2-3 product types versus a "universal" test fixture for 20-30 product types is worth considering from a cost standpoint.

Included in Appendix 1 is the parts list for this fixture and the supplies used by Signetics. This in no way constitutes Signetics endorsements of these suppliers and the customer may select their own supplier if they so desire. This fixture is offered to the public to duplicate and use within their own environments. Signetics will not provide any materials but will allow the manufacturers of the board and materials to build and/or supply for any requesting party. Pricing and availability are left to the vendors and Signetics has no control over those issues. The intent is to provide something for users of high-speed logic that has been proven and tested in a true high-speed use, and provide a characterization of these products prior to their introduction to the market place.

Test Fixtures for High-Speed Logic

AN203

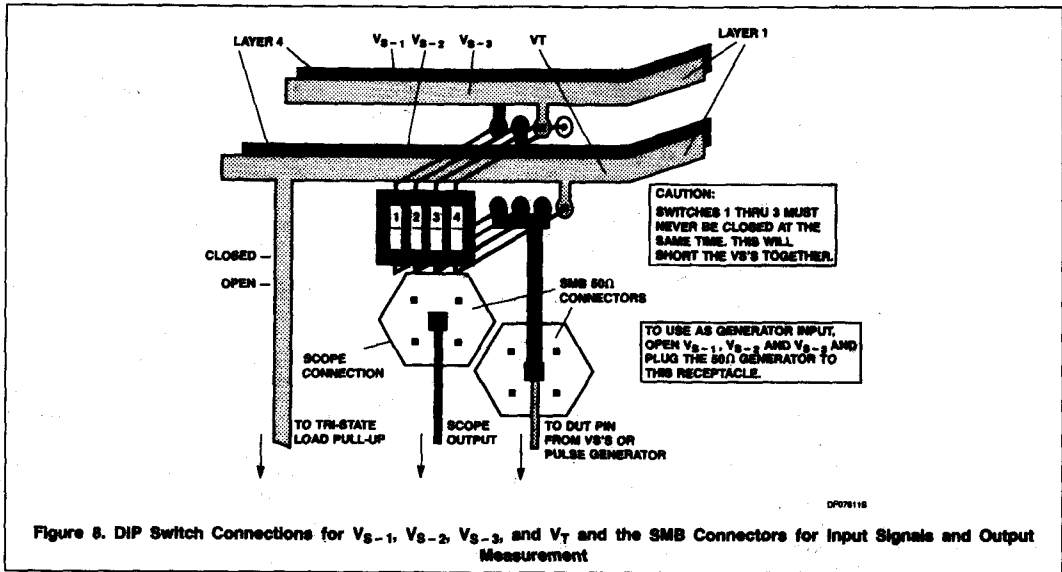


Figure 8. DIP Switch Connections for V_{S-1} , V_{S-2} , V_{S-3} , and V_T and the SMB Connectors for Input Signals and Output Measurement

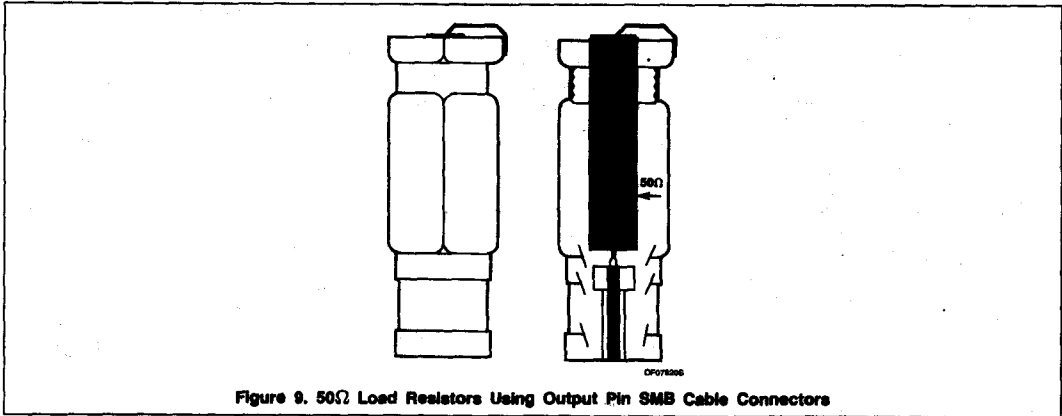


Figure 9. 50Ω Load Resistors Using Output Pin SMB Cable Connectors

Test Fixtures for High-Speed Logic

AN203

5. APPENDIX I - Component and Vendor List

The following prices are quoted for a 30 piece build of a 24 pin test fixture and are not binding in any way.

1. Printed circuit mother board.

SO and SOL -#SD8512.28
 DIP -#SD8512.31
 Requirement: 1 per part configuration

Supplier: Prototype and Production Circuits
 8040 S. 1444 W.
 West Jordan, UT 84084
 (801) 566-5431

2. SO and SOL sockets.

#_PINS	PART_#
14	001-014
16	001-016
18L	001-116
20	001-120
24	001-124
28	001-128
SOIC through hole socket	
Requirement:	1 per board

Supplier: Surface Mount Devices, Inc.
 PO Box 16818
 Stamford, CT. 06903
 (203) 322-8290

3. LSG-1AG14-1 Socket Terminal Pins.

For DIP boards - number of pins equal to the part pin count times by (7) seven.

$$24 \times 7 = 160 \times .20 =$$

For SO and SOL boards - number of pins equal to the part pins count times by (5) five.

$$24 \times 5 = 120 \times .20 =$$

4. Shorting Blocks (Jumpers).

.3 inch 8136-475G1
 cost per part $\times 24 =$
 .1 inch 8136-651P2
 cost per part $\times 24 =$

Requirement: 1 per pin

Requirement: 1 per pin

Supplier: Augat

5. Chip Resistors.

50 Ω 1% CRCW 1210
 cost per part $\times 24 =$
 450 Ω 1% CRCW 1206
 cost per part $\times 24 =$
 500 Ω 1% CRCW 1206
 cost per part $\times 24 =$

Requirement: 1 per pin

Requirement: 1 per pin

Requirement: 1 per pin

Supplier: Dale Electronics, Inc.
 2300 Riverside Blvd.
 Norfolk, Nebraska 68701
 (402) 371-0080

Test Fixtures for High-Speed Logic

AN203

6. Chip Capacitors.
- | Ceramic Part_# | Requirement |
|---|-------------|
| 33pf 500R15N330JP
cost per part \times 24 = | 1 per bin |
| 15pf 500R15N150JP4
cost per part \times 1 = | 1 per board |
| .015 μ f 500\$41W103KP4
cost per part \times 1 = | 1 per board |
| .1 μ f 500\$41W104KP4
cost per part \times 1 = | 1 per board |
- Supplier: Johanson Dielectrics
7. Dipped Tantalum.
- | Ceramic | Requirement |
|---|-------------|
| 10 μ f 106k025NLF
cost per part \times 1 = | 1 per board |
| 47 μ f 476K020WLG
cost per part \times 1 = | 1 per board |
- Supplier: Mallory
8. Ferrite Core.
- | | |
|-------------------------------------|--------------------------|
| T80-1
cost per part \times 1 = | Requirement: 1 per board |
|-------------------------------------|--------------------------|
- Supplier: Amidon Associates
12033 Otsego Street
North Hollywood, CA 91607
(818) 760-4429
9. Mounting Screw.
- | | |
|--|----------------------------|
| 4-40 \times 1/4 Phillips pan head machine screw
cost per part \times 16 = | Requirement: 16 per board. |
|--|----------------------------|
- Supplier: Bonneville Industry Supply Co.
45 So. 1500 W.
Orem, Utah
(801) 225-7770
10. Banana Plug Jack.
- | H.H. Smith_Type | Order_# | Requirement |
|-----------------|---------|---------------------------|
| White 1509-101 | 28F1178 | 6/board-color your choice |
| Red 1509-102 | 35F870 | 6/board-color your choice |
| Black 1509-103 | 35F869 | 6/board-color your choice |
| Green 1509-104 | 28F1179 | 6/board-color your choice |
| Blue 1509-105 | 28F1180 | 6/board-color your choice |
| Yellow 1509-107 | 28F1182 | 6/board-color your choice |
- cost per part \times 6 =
- Supplier: Newark Electronics
11. Switch.
- | | |
|---|------------------------|
| 76P\$B04 4-bit side actuated piano-dip
cost per part \times 24 = | Requirement: 1 per pin |
|---|------------------------|
- Supplier: Grayhill Co.
12. Connectors - Snap-on SMB.
- | | |
|---|------------------------|
| 51-051-0000-220 - Straight jack receptacle
cost per part \times 48 = | Requirement: 2 per pin |
|---|------------------------|
- Supplier: Sealectro

Test Fixtures for High-Speed Logic

AN203

13. Mounting frame.

Signetic's number CB-1.0

Requirement: 1 per test fixture

Supplier: Electronic Chassis Corp.
 488 North 1200 West
 Lindon, Utah 84062
 (801) 785-9113

14. Hookup wire.

No. 18/20 gauge Teflon coated — about 24 inches per test fixture.

The following components may be needed in use of the test fixtures but are not part of the test fixtures.

61-001-0000-89	50 Ω terminator plug	As required or hand built with 50 Ω resistor and 51-007-0000
51-007-0000	Straight Cable Clamp Type	As required
51-083-0000-222	"T" adaptor J-J-J	As required
51-085-0000	"T" adaptor J-P-J	As required
51-072-0000	Adaptor J-J	As required
51-073-0000	Adaptor P-P	As required
51-001-0020	Shorting plug	As required
61-002-0000-89	50 Ω terminator jack	As required
Supplier:	Seaelectro Corp (415) 965-1212	

Test Fixtures for High-Speed Logic

AN203

6. APPENDIX II-Construction Hints

A suggested order of assembly is as follows:

1. Cut traces for 450Ω resistor. (Not needed for ECL)
2. Install SMB Connectors. Elevate base from board .05".
3. Install DIP Switches. Note: Numbers on switches may not correlate to V_s supply numbers.
4. Install Augat socket pin.
5. Install load/termination resistors and capacitors.
6. Strap V_{CC} and GND pins to appropriate bus strips.
7. Install bypass capacitors.
8. Clean flux off of board and components.
9. Check for lead to frame shorts on PLCC board. (Not discussed in App Note.)
10. Install banana jacks on frame.
11. Attach board to frame with 1/4 Phillips pan head machine screws.
12. Wrap wire 8-12 times around ferrite core. Leave enough wire to connect to frame and board. See Figure 1.
13. Connect V_{CC} , GND, and voltage supplies from banana jacks to board.
14. Remove all remaining flux. Keep "flux-off" from banana jacks.

Hints on construction:

- A .05" shim that fits under the SMB connector base helps elevate it during construction.
- Mount the SMB connector with flat side out rather than point side out. See Figure 8.
- Solder Augat socket pins in with a part inserted to hold the pins steady.
- "Piano DIP" switches have the numbers reversed from the Board notation. Taping a new number on the board designations will help match the switches.
- Hint for solder chip components: apply a small amount of solder on one side of the pads on the board.
- Keep DIP switches and SMB connectors spaced as far away from each other as the holes will permit, i.e., push the SMBs in and the DIP switches out.





Section 8 Package Outlines

INDEX

Package Outlines for Plastic Packages
Package Outlines for Hermetic CERDIP



Surface Mounted ICs

INTRODUCTION

Economic survival is driving the electronics industry to use cheaper, faster, more reliable and more dense systems and components. Assembly technologies, such as SMD (Surface Mounted Device) technology, developed and used in hybrids and for military electronics for over two decades, is being adapted to commercial electronics as part of this evolution. With SMD technology, components are soldered directly to a metalized footprint on the surface of the board or substrate rather than being inserted through holes drilled in the board and then soldered. Because of this evolution, package styles specially designed to facilitate surface mounting are now in high demand.

The reasons for the change to SMD technology vary from one customer to another; but the primary motivator is higher profits through lower manufacturing and material costs, an improved product, or both.

Improved Electrical Performance

Because SMD packages are much smaller than their DIP counterparts, they have much less capacitance and inductance, and provide improved AC performance, especially in high-speed environments. They help to minimize problems associated with ground bounce and multiple output switching found with standard DIP packages. The SO package is especially suitable for high-speed families such as FAST and High-Speed CMOS where package inductance can induce or compound problems not normally found in slower technologies.

Ease Of Automation

SMD pick-and-place machines offer higher yields, faster cycle rates (3 - 10x faster), and much higher throughput volumes than automatic insertion machines for DIP packages.

Greatly Increased Densities

Greatly increased densities can be achieved through surface mounting. The packages themselves are much smaller (as much as 70%) and can be placed much closer together. Furthermore, both sides of the board can be used with SMDs.

Reduced Board Costs

The number of layers, total size of the board, and the number of plated through holes can be reduced, thus lowering the total cost of the board (many companies claim savings of 30 to 50%).

Easier Board Rework

In those instances where rework is necessary, it is much faster and cheaper with SMDs.

Improved Reliability

Not only are the components proving to be at least as reliable as their DIP counterparts, surface mounted assemblies show fewer failures in stress tests than equivalent through hole assemblies.

Lower Shipping, Storage And Handling Costs

SMD components are up to 70% smaller and weigh up to 90% less than DIPs (up to 95% savings in storage area for Tape & Reel SMD components vs DIPs and up to 90% savings in component weight). Surface mount assemblies offer additional savings in both weight and space, both of which can be linked to increased profits.

SMD packages for integrated circuits fall into two categories: Swiss Outline, also known as Small Outline (SO), and the Plastic Leaded Chip Carrier (PLCC).

SO PACKAGE

The SO package was developed by N.V. Philips Corp. originally for the Swiss watch industry. In the mid 1970s Signetics introduced linear ICs in SO packages to the US market (hybrid and telecommunications). As demand grew, other technologies such as FAST, Low Power Schottky, Schottky, TTL, CMOS, High-Speed CMOS (HC and HCT),

ECL, ROMs, RAMs, PROMs, were made available in SO packages.

The SO is a dual-in-line plastic package with leads spaced 0.050" apart and bent down and out in a Gull-Wing format. It comes in two widths: 0.150" SO, and 0.300" SOL (SO-Large) depending on the pin count.

As ICs became more complex and the number of pins grew, the standard dual-in-line packages grew longer and wider, presenting new electrical and mechanical problems. Some of these were resolved with the introduction of the ceramic leadless chip carrier (LCC). These were square, ceramic packages without leads which can be socketed or soldered directly to a substrate if the thermal coefficient of expansion of the chip carrier and the substrate are to be matched.

In 1980, the Plastic Leaded Chip Carrier (PLCC) was introduced as a cheaper alternative to the LCC. However, this was at the same time that SMD was winning acceptance in commercial electronics and the PLCC was seen as an ideal SMD package for the higher pin count devices (those with more than 28 leads). The PLCC is a square, plastic package with leads on four sides, spaced down and under in a J-Bend configuration. It is available in the higher pin counts: 20, 28, 44, 52, 68, 84 with even higher pin counts under development.

The smallest square PLCC is the 20-pin package. There are many reasons for this; the primary one is that below 20 pins, the package would be as thick as it is square,

Table 1

PIN COUNT	SO	SOL	PLCC
8	x		
14	x		
16	x	x	
18		x	x (rectangular)
20		x	x
24		x	
28		x	x
44			x
52			x
68			x
84			x

Surface Mounted ICs

Table 2. Maximum thermal Resistance (θ_{JA}) Values For SMD Packages ($^{\circ}\text{C}/\text{W}$)

PINS	SO	SOL	PLCC
8	160		
14	115		
16	110	90	
20		85	70
24		75	
28		70	60
44			42
52			39
68			42
84			32

resulting in a cube-like package which would be very difficult to handle in an automated environment.

Logic and linear devices are available in SO while the more complex parts such as microprocessors, microcontrollers, complex peripherals, large memory devices, and other higher pin count integrated circuits will be found in the PLCC.

ASSEMBLY

The assembly of these SMD packages is virtually the same as for the older DIP packages using the same materials and most of the same equipment and assembly technologies.

The only differences in the process are the smaller lead frames, different lead bends (gull-wing for SO and J-Bend for the PLCC), and closer spacing resulting in a much smaller package for the same basic die.

RELIABILITY

Reliability studies of SMD components, conducted not only by Signetics and Philips, but by many of our competitors and customers, have revealed that these packages are at least as reliable as the standard plastic DIP packages that have been used over the past 20 years. In several cases, test results of the SMD packages have been better than their DIP counterparts.

THERMAL CHARACTERISTICS

Thermal characteristics of ICs have always been a major consideration to producers and users of electronics products because an increase in junction temperature (T_j) can have an adverse effect on the long term operating life of an IC. The advantages realized by

miniaturization have trade-off in terms of increased junction temperatures. Some of the variables affecting T_j are controlled by the producer of the IC, while others are controlled by the user and the environment in which the device is used.

With the increased use of SMD, thermal management remains a valid concern because not only are the packages much smaller, but the thermal energy is concentrated much more densely on the PCB. For these reasons users of SMD must be ore aware of all the variables affecting T_j .

POWER DISSIPATION

Power dissipation (P_D) varies from one device to another depending on technology and complexity. It can be obtained by multiplying V_{CCmax} by the I_{CC} characterized at the maximum ambient temperature expected (in the case of TTL, 70°C).

- Junction temperature (T_j) is the temperature of a powered IC measured at the substrate diode. When the device is powered, the heat generated causes the T_j to rise above the ambient temperature (T_A).
- All standard TTL, Schottky, Low Power Schottky, and FAST being built by Signetics use copper leadframes.
- The ability of the package to conduct heat from the chip to the environment is expressed in terms of thermal resistance, normally called Theta JA (θ_{JA}). θ_{JA} is the total resistance from the junction to ambient and is often separated into two components: θ_{JC} (junction to case) and θ_{CA} (case to ambient). $\theta_{JA} = \theta_{JC} + \theta_{CA}$. θ_{JA} values for SMD packages are listed in Table 2.

- All measurements are in still air.
- T_A MAX is $+70^{\circ}\text{C}$.
- I_{CC} characterized at nominal V_{CC} and $+70^{\circ}\text{C}$ ambient.
- Calculate power (P) by multiplying V_{CC} nominal $\times I_{CC}$ at $+70^{\circ}\text{C}$.
 $P = I_E$
- Calculate rise in (T_j) by multiplying Power by θ_{JA} .
 $T_j = P \times \theta_{JA}$
- Add $T_j + T_A$ MAX. If result is greater than 120°C , then thermal mounting or some other way to reduce the T_j must be used.

Factors Affecting Thermal Resistance

In addition to possible loading and duty cycle factors in some technologies, there are several factors which affect θ_{JA} of any IC package. Effective thermal management demands a sound understanding of all these variables.

Package variables include the leadframe design, leadframe material, the plastic used to encapsulate the device, and to a lesser extent, other variables such as the die size and die attach methods. While the thermal conductivity of the wire can be calculated, it is too insignificant to be considered as a factor.

Other factors that have a significant impact of the θ_{JA} include the substrate upon which the package is mounted, the density of the layout, the gap between the package and substrate, the number and length of traces on the surfaces of the board, the use of thermally conductive epoxies, and any external cooling methods.

STANDARDIZATION

The SO package is an industry standard format. In June 1985, the JEDEC (Joint Electronics Engineering Council) of the EIA (Electronics Industries Association) issued a Solid State Product Outlines Standard for each of the SO formats: MS-012 AA-AC for the 0.150" body width SO and Ms-013 AA-AE for the 0.300" body width SOL. In addition to the JEDEC Standard, de facto standardization has been achieved in the industry in that most of the major US and European IC manufacturers (more than 15 companies currently) use this standard.

The PLCC is also a standardized format, with a JEDEC Registered Outline #MO-047 AA-AH. It also is multiple sourced with over 10 US IC manufacturers using this standard.

Points worth noting: ALL SO AND SOL PACKAGES HAVE 0.050" LEAD SPACING A GULL-WING LEAD BEND, WHILE ALL PLCC PACKAGES HAVE THE SAME LEAD SPACING AND A J-BEND LEAD BEND.

TAPE AND REEL

One revolutionary phenomenon in SMD is the development of Tape and Reel for the IC packages. Philips and several other companies making automatic placement equipment recognized the need for a feed system which allows for positive indexing large volumes of components at high-speed in order to get maximum efficiency out of the new pick-and-place machines. Tubes are limited to a relatively small number of parts (dictated by tube length) and depend on gravity to feed components to the placement head. After several proposed tape formats, Philips, Signetics, many of the component and placement equipment manufacturers, and board manufacturers convened under the auspices of EIA (Electronic Industries Association) and agreed on an industry standard specification for Tape and Reel for both SO and PLCC packages. The proposed EIA specification RS 481A is being used by Signetics and

Surface Mounted ICs

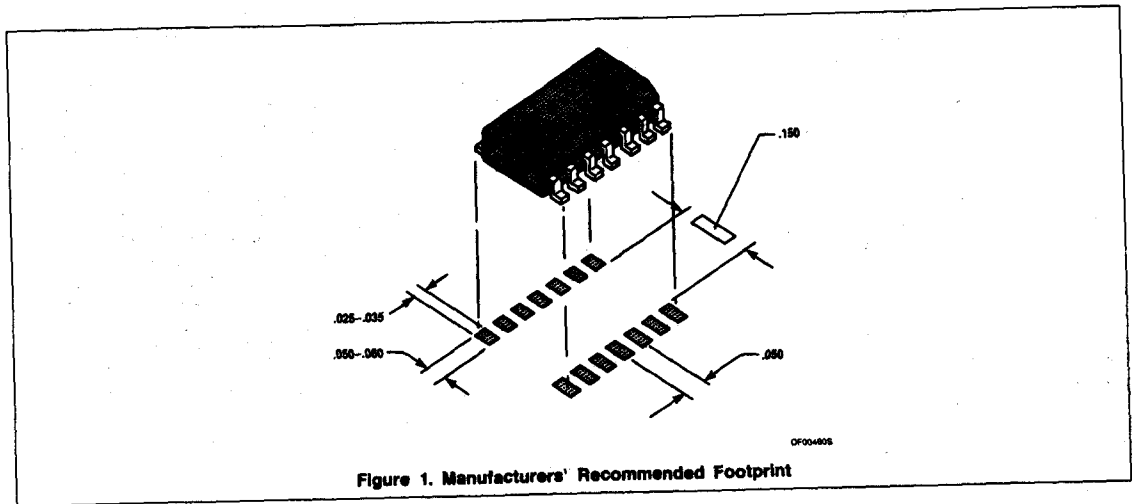


Figure 1. Manufacturers' Recommended Footprint

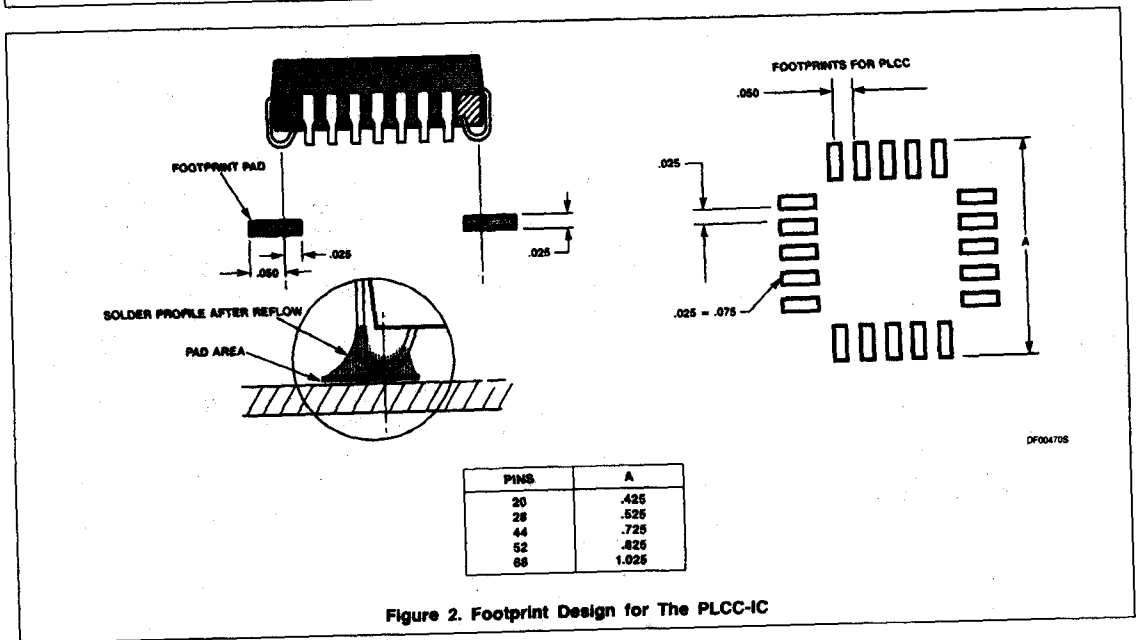


Figure 2. Footprint Design for The PLCC-IC

Surface Mounted ICs

Philips, both of whom have shipped components on Tape and Reel since late 1984.

SUCCESS IN SURFACE MOUNTING BEGINS WITH THE DESIGNER

In addition to the different package configurations, surface mounting is done on a much smaller scale. Instead of the plated through holes, metalized footprints must be etched onto the substrate surface.

The designer will be using a more refined set of rules for layout of the surface mount PCB board. Because the components can be spaced closer together with small contact spacing, a narrower conductor trace width is necessary. A common signal conductor can be 0.010" to 0.012" wide and 0.015" through 0.030" is adequate for power and ground bussing. The suggested footprint contact area has a generous tolerance. For the SO I.C., a rectangular pattern is used on 0.050" spacing. The length of the pad is 0.050" to 0.060" and the width can vary from 0.020" to 0.035". The 0.025" x 0.050" footprint pattern will work well using the grid placement system favored by most designers. The 0.012" conductor width spaced at 0.025" provides a reasonable 0.013" air gap between traces. However, if conductor pads, it will be necessary to neck down the trace width to 0.008" and still retain an equal airgap at each side. Because neck down traces require additional time in both hand taping or CAS/photo plot generation of artmasters, some compromises may be justified. By reducing the contact pad size to 0.020" x 0.050", it is possible to route a consistent 0.010" conductor trace width and still maintain the desired clearances. However, some PC board shops may not maintain the consistent quality necessary when using this fine line approach over the entire board. It is important to discuss limitation and premium cost penalties with your

supplier before full commitment to the 0.010", and smaller, trace widths.

Another very important consideration to be taken into account is the thermal concentration caused by miniaturization. The same die is being used in the SMD as in the DIP, thus the power dissipated is the same; however, the smaller packages are being placed much closer together, concentrating the thermal energy. The trade-offs between the increase in density and the concentration of thermal energy must be evaluated by the board manufacturer.

These factors may influence the choice of PCB material, the number of layers, and the thickness of the PCB board. New methods to transfer heat from the package to the board and then away from the board should be considered by the designer.

Other factors to be considered are the placement system, soldering method, post-assembly cleaning, inspection, test, and the availability of parts in SMD packages.

One of the first steps is to list all the devices needed and to determine which ones are available in SMD format. With the growth of popularity of SMD, the number of different functions offered by Signetics continues to grow rapidly. In addition to the SIGNETICS SMD POCKET GUIDE, there are several cross-reference lists available from design and assembly services. However, with the explosive growth of this market NONE OF THESE LISTS ARE NECESSARILY CURRENT. Please check with your local sales office because the parts availability lists are growing almost daily.

When choosing the type of footprints to use, it is very important that the designer considers the soldering method being used.

Basically there are two types of soldering in use today: flow soldering (wave, drag, or hot solder dip) an reflow soldering (vapor phase,

infrared, thermal conduction through the PCB, and hot air).

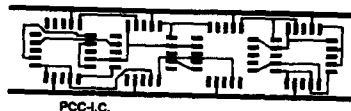
The SO package can be soldered using a flow soldering method. The devices must be attached to the PCB by means of an adhesive because the device side of the board will be facing down as it goes through the solder wave. The orientation of the part as it goes through the solder wave can play an important role in the elimination of bridges. Experiments should be conducted by the user to determine the best footprints for use in a particular soldering system. Some users feel that the narrow footprints help to reduce solder bridges. Others have been experimenting with rounded footprints to reduce bridging during wave soldering and claim to have had very good results.

Reflow soldering has been done for many years in the hybrid industry. A solder paste or solder cream is applied to the footprint prior to placement of the component. These pastes are creams contain tiny spheres of solder suspended in a carrier which contains the flux. As the substrate temperature is raised, the flux, solvents, and carriers are driven off and the solder liquifies. Various melting point pastes and creams are available. As the liquid solder migrates to the metalized footprints, the surface tension is enough to move the leaded components. For SO packages, this can be an advantage because it acts as a self-positioning mechanism. However, it can be a problem for the smaller passive components if the solder paste isn't printed on evenly. If there is an uneven amount of solder paste on one end of one of these smaller devices, the surface tension can pull stronger on one side causing a "tombstoning" effect, i.e., one end of the device is lifted straight up.

Many variations of footprint patterns are possible. The formula shown in Figure 1 is applicable for both reflow and wave solder processes. Many configurations are possible



DF004905



DF005005

Figure 3. Planning - Layout And Component Placement

Surface Mounted ICs

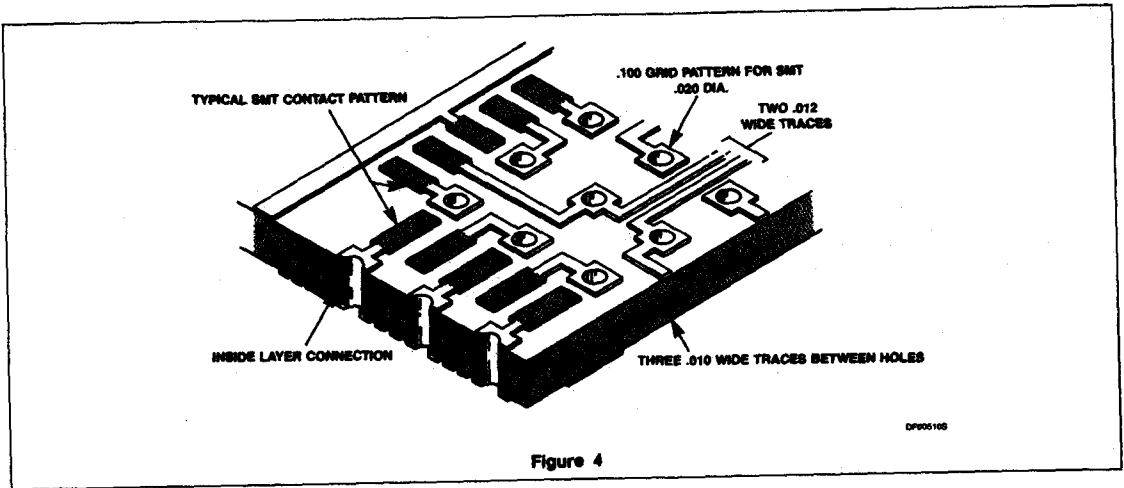


Figure 4

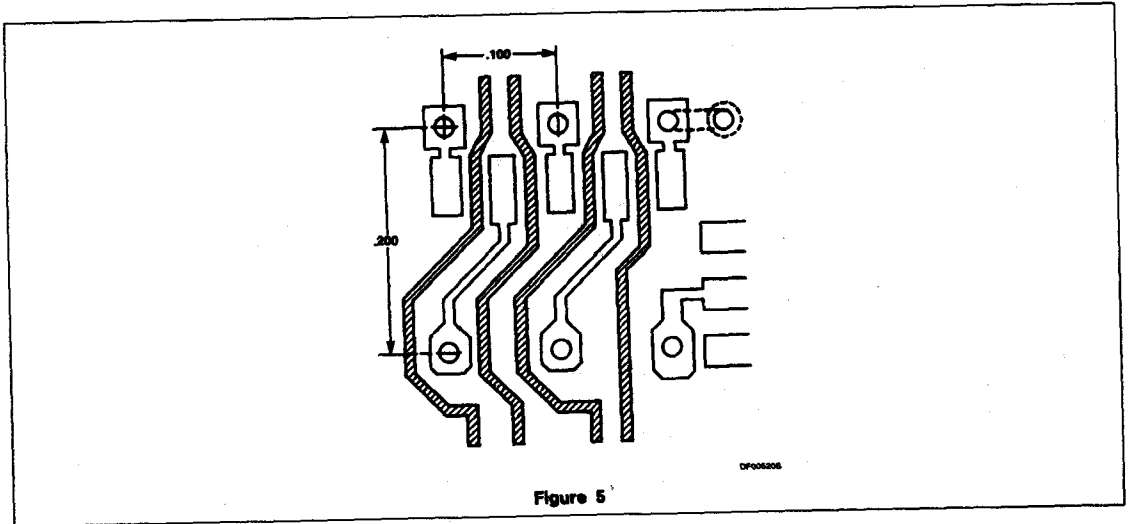


Figure 5

Surface Mounted ICs

and should be tried on an experimental basis before commitment to a large production run. Both time and development costs can be conserved by utilizing design and process consultants specializing in surface mount technology.

Figures 1 and 2 show some typical footprints used in reflow soldering. Note that the width of the footprint for the SO package varies from 0.025" to 0.035". Most users tend towards the narrow footprint. Further, the length to these prints should be kept as short as possible to prevent the part from swimming or sliding back and forth on the footprint while still allowing a good meniscus.

Another factor worth noting is that the footprint for PLCC should not extend too far under the package as this could promote solder bridges under the package where they can not be seen during inspection. The footprint for the PLCC should extend out further from the package than the lead itself to allow a good meniscus that will result in a strong, inspectable bond.

Careful placement of related components will allow a more effective use of a much smaller surface area. The interconnections that can be made on the substrate surface result in the elimination of feedthrough holes. Reduction of these holes and their associated pad areas further increase the density of the layout, and reduce total board cost as well. As indicated, the SO package has the same pinout on two parallel rows as found on the older DIP packages being replaced. Arranging related ICs in blocks or functional clusters with their associated discreet components can also help to maximize the use of the available surface area.

For several reasons, many users have expressed their preference for SO format through 28 pins. The SO is much smaller and lighter than the PLCC. The SOI, although a bit longer than the PLCC, still occupies about the same board space.

Further, when using several packages and connecting them together, a given number of SO and SOL packages would take much less space than the same number of PLCCs, simply because of the interconnect geography. (See Figure 3).

Besides being smaller, the SO format is dual-in-line and has the same pinouts as those of a standard DIP (PLCC pinouts vary between devices as well as between manufacturers).

The SO format is easier to handle and is much easier to visually inspect.

For devices over 28 pins, the PLCC is the package of choice, largely because it can hold a much larger die than the 0.300" wide SO packages.

In the early days of PCB technology when plated through holes were not possible, designers were forced to carefully plan component arrangements and connections. Using experience and ingenuity, they were able to eliminate crossovers while reducing the need for unwanted jumpers. With the advent of plated through holes and multilayer boards, the restriction to single sided boards was eliminated. Using the single sided concept the techniques used to interconnect the SMDs are as important as the footprint patterns. As noted before, the contact pads on 0.050" centers, range between 0.025" and 0.035" in width. Prior to choosing to add a feedthrough hole on the pad itself, two factors should be considered: 1) The hole diameter selected must allow for a reasonable location tolerance. A 0.010" to 0.015" diameter plated through hole in 0.062" thick FR4 material may increase the cost of your PCB. 2) Unless the feedthrough hole on the footprint area is either plugged or masked, in a reflow soldering situation, the solder will tend to migrate away from the IC contact resulting in a poor solder joint.

It is more desirable to add a separate pad for via or feedthrough requirements. To further provide for routing conductor traces while insuring an acceptable air gap, you may choose to use a 0.035" to 0.037" square pad for these feedthrough holes. The square configuration will furnish more than enough metal in the diagonal corners to compensate for the reduced annular cross section at the sides of the square. The 0.035"-0.037" square feedthrough pad can be spaced at 0.050" when necessary or on the more traditional 0.100" pad. With this spacing it is possible to route two 0.012" wide conductor traces between pads, something only possible before with costly multilayer designs using leaded through hole technology.

The feedthrough pad is then connected to the component contact area with a narrow trace. This narrow trace reduces migration of the solder paste during the reflow process. To further reduce migration of the liquid solder, application of solder mask coating over surface areas not requiring solder is recom-

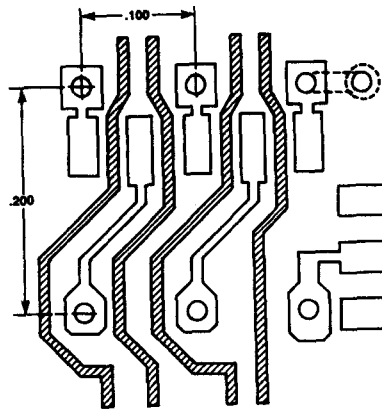
mended. This coating is applied with a wet screen process or photographically as a dry film and will act as a dam to contain solder to the contact area. (See Figures 4 and 5).

When using reflow soldering, the trace width should be about half the width of the footprint pattern. As noted before the signal carrying conductors are generally 0.012" to 0.015" wide. Supply voltages are carried on wider traces. When running traces between the device leads, it will be necessary to reduce the width to about 0.008" which provides an 0.008" gap between the trace and the edge of the pads when using 0.025" pads.

Because the SMDs are so much smaller than their leaded counterparts, the scale of the layout should be considered. On larger boards with a mix of SMDs and leaded devices, a 2:1 scale may be adequate. More complex layouts can be designed at 4:1 scale with excellent results. The larger scale will make it possible to increase density while assuring accuracy. If designing with a CAD system, accuracy and density can both be increased by increasing the grid resolution. Routing conductor traces will require careful planning, it is customary to use a 90° or 45° angle (Figure 6) when traces must divert from a continuous line.

Offset stepping several 0.012" wide conductor traces on 0.025" spacing will require necking down at the point of direction change to maintain the desired air gap. The start and stop points of photoplotter aperture runs must be carefully executed to reduce the chance of overlap and shorting. If outside services are used for digitizing or photoplotting, discuss your requirements for accuracy before proceeding. Some compromises may have to be made to insure quality and control costs. Preparing armasters on mylar using precision tape products and pre-printed footprint patterns may afford more flexibility during your entry into SMD technology. Changes can be made easily, and economical photo reduction processes will provide high quality working film. The technique used to prepare working film is a choice generally influenced by in-house capability or services available in a region.

Dramatic changes are taking place throughout this industry. Surface mount technology is key to an efficient transition into miniaturization and automation of electronic production.



DF005205

Figure 6





Section 7
Surface Mounted ICs

Package Outlines

PACKAGE OUTLINES FOR PLASTIC PACKAGES

The following information applies to all plastic packages unless otherwise specified on individual package outline drawings.

1. Dimensions are shown in Metric units (Millimeters) and English units (Inches).

2. Lead material: Copper Alloy, solder (63%Sn/37%Pb) dipped.
3. Body material: Plastic (Epoxy)
4. Thermal resistance values are determined by temperature sensitive parameter (TSP) method. This method uses the forward voltage drop of a calibrated di-

ode to measure the change in junction temperature due to a known power application. The substrate diode of a Bipolar technology device is generally the diode used in these tests. Die size and test environment have significant effects on thermal resistance values.

PLASTIC PACKAGES OUTLINES

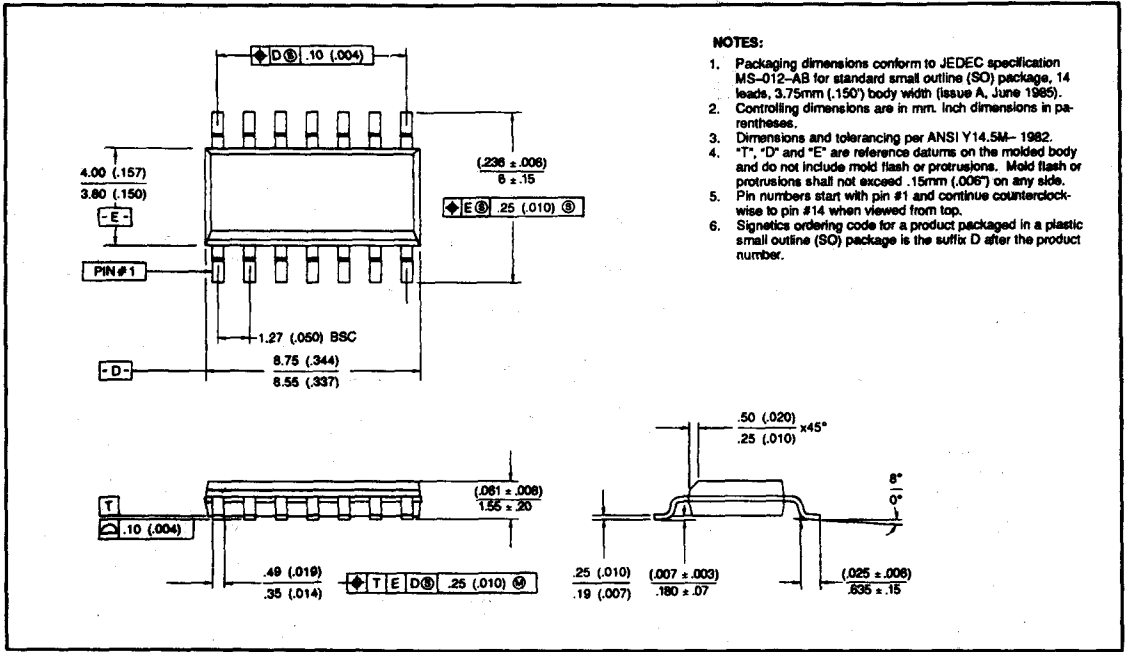
Package Type	Number of Leads	Package Feature	Package Ordering Code	Package Outline Code	Thermal Resistance θ_{JA}/θ_{JC} ($^{\circ}\text{C}/\text{W}$)	Die Size (square mils)	Test Conditions	
							Test Ambient	Test Fixture
SO ¹ (Copper Leadframe)	14-pin (SO-14)	3.8mm (0.15") Body width	D	DH1	124/37	2,500	Still air at room temperature	Device soldered to Philips glass epoxy test board (1.12" x 0.75" x 0.059") with 0.008 - 0.009" stand-off. Accuracy: $\pm 15\%$
	16-pin (SOL-16)		D	DJ1	113/36			
	20-pin (SOL-20)	7.5mm (0.30") Body width	D	DL2	90/28	5,000		Device soldered to Philips glass epoxy test board (1.58" x 0.75" x 0.059") with 0.008 - 0.009" stand-off. Accuracy: $\pm 15\%$
	24-pin (SOL-24)		D	DN2	76/26			
DIP ² (Copper Leadframe)	14-pin (DIP-14)	0.300" Lead row centers	N	NH1	89/44	2,500	Still air at room temperature	Device in Textool ZIF socket with 0.040", stand-off. Accuracy: $\pm 15\%$
	16-pin (DIP-16)		N	NJ1	86/43			
	20-pin (DIP-20)		N	NL1	74/32	5,000		Device in Textool ZIF socket with 0.040", stand-off. Accuracy: $\pm 15\%$
	24-pin SLIM DIP (DIP-24)		N	NN1	65/36			

NOTES:

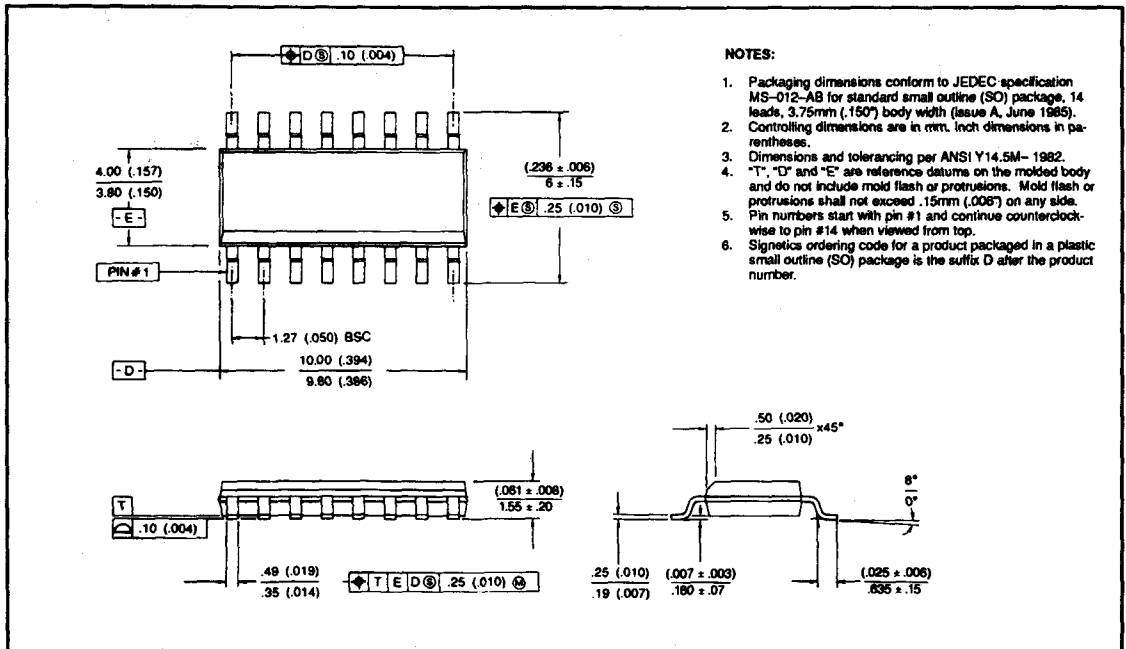
1. SO = Small Outline
2. DIP = Dual-In-Line Package

Package Outlines

14-PIN PLASTIC SO

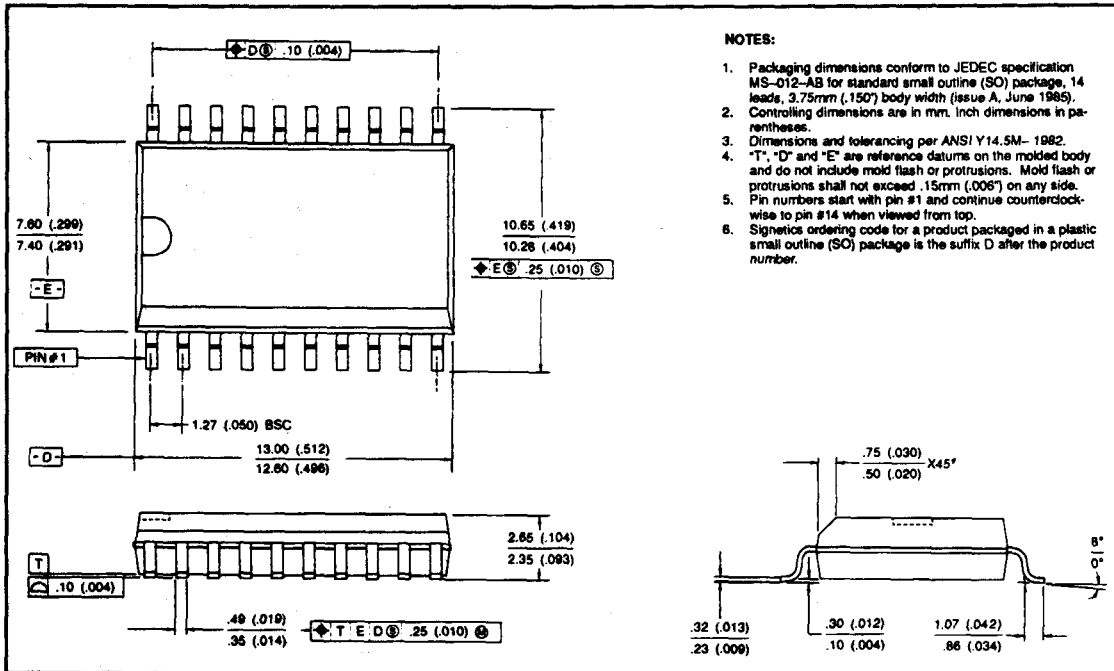


16-PIN PLASTIC SO

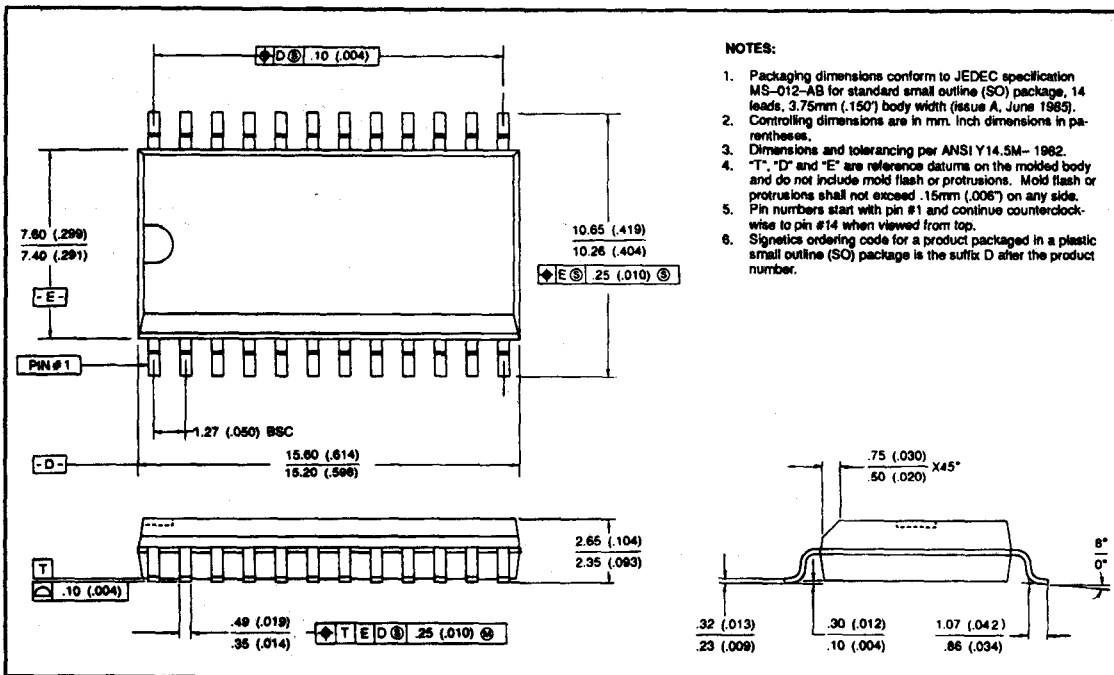


Package Outlines

20-PIN PLASTIC SOL

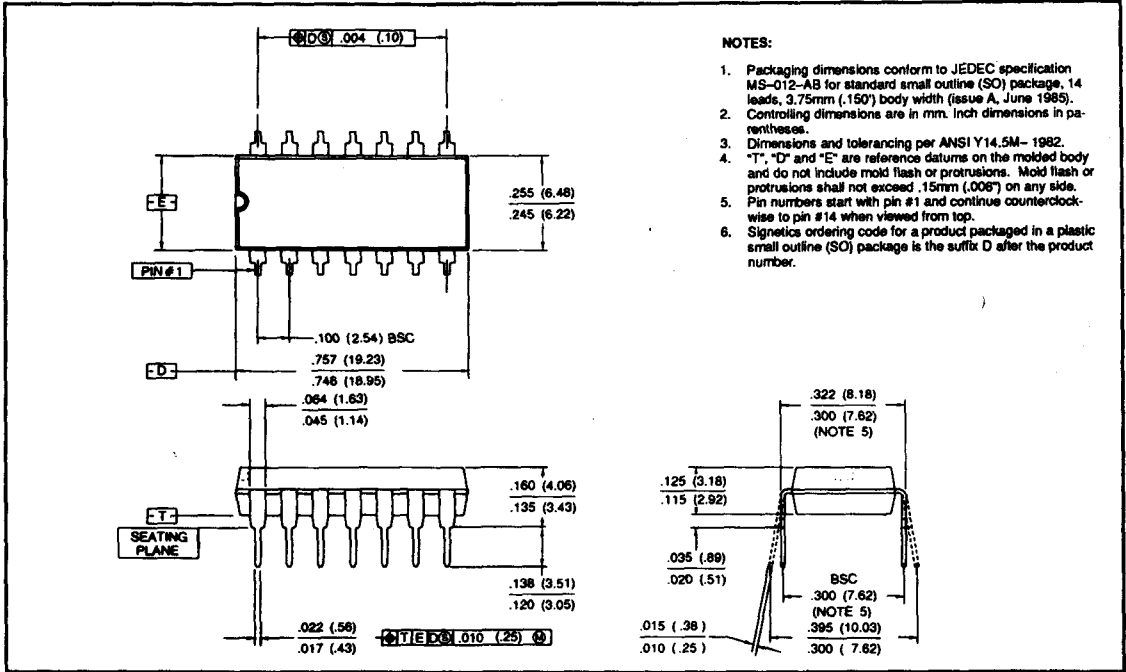


24-PIN PLASTIC SOL

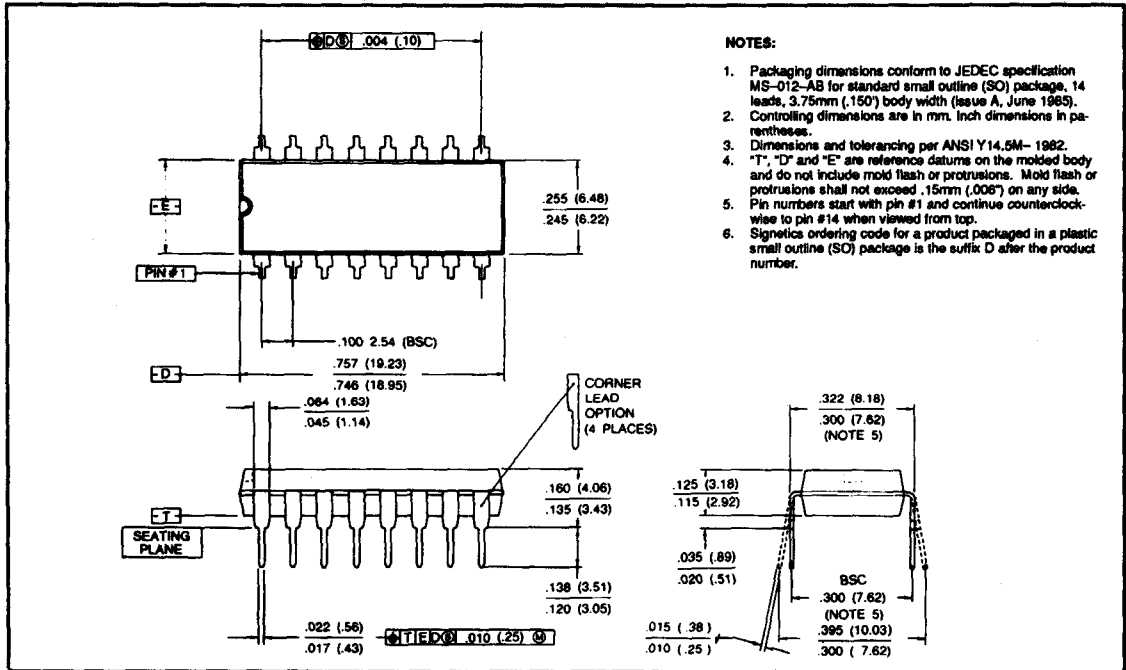


Package Outlines

14-PIN PLASTIC DIP

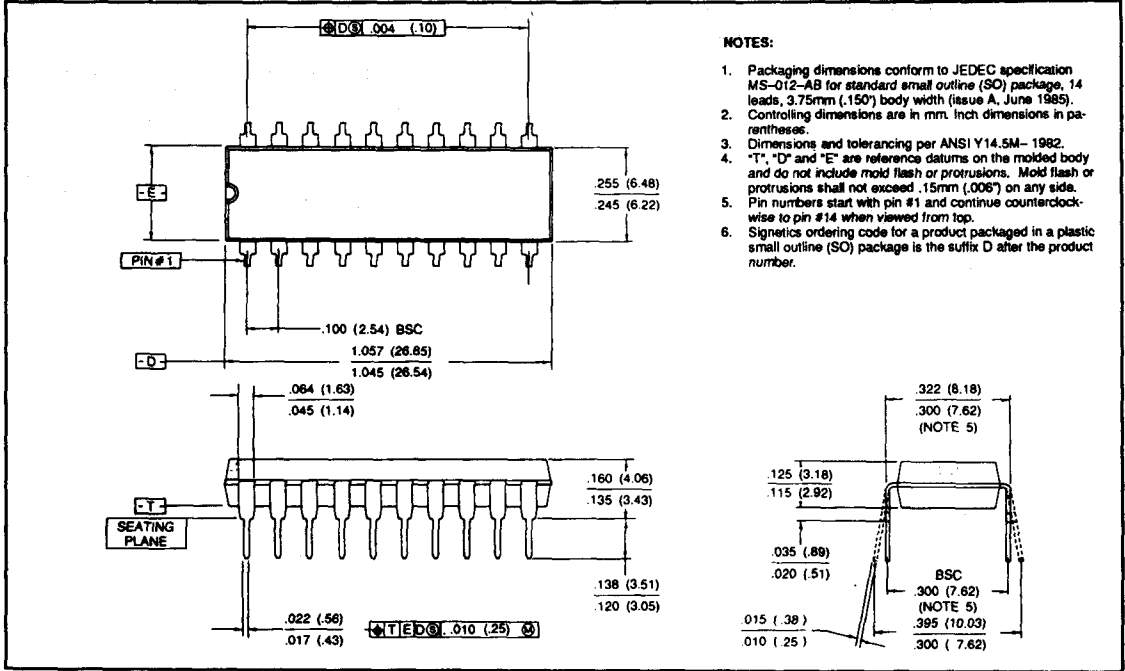


16-PIN PLASTIC DIP

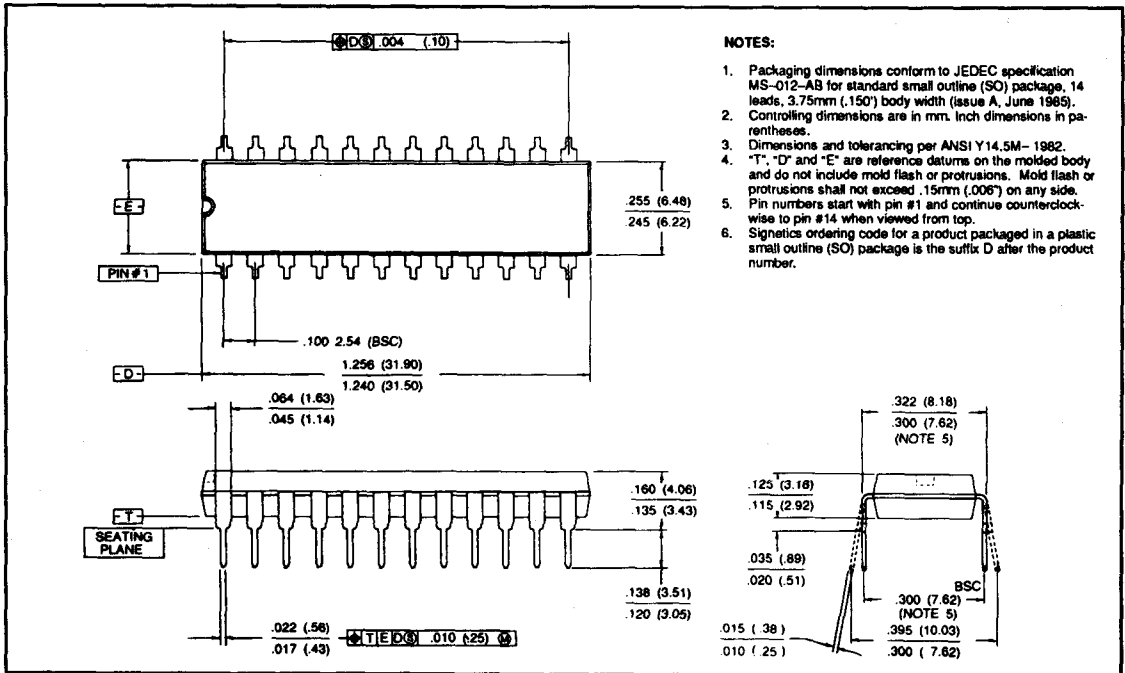


Package Outlines

20-PIN PLASTIC PDIP



24-PIN PLASTIC PDIP





NOTES

NOTES

NOTES

NOTES

NOTES

NOTES

NOTES

NOTES

NOTES

NOTES

NOTES

NOTES

NOTES

NOTES

The Philips Components technical handbook system... a comprehensive data library

The Philips Components handbook is made up of four sets of Books, each comprising several parts:-

Book 1 (light blue)	Semiconductor devices
Book 2 (orange)	Electronic tubes
Book 3 (green)	Components, materials and assemblies
Book 4 (dark blue)	Integrated circuits

Most of the devices for which full data is given in these books are those around which we would recommend equipment to be designed. Where appropriate, other types no longer recommended for new equipment designs but generally available for equipment production, are listed separately. Data sheets for these types may be obtained on request.

The current Philips Components Quick Reference Guide should always be consulted for details of our preferred range.

The data contained in these books is as accurate and up to date as possible at the time of going to press. It must be understood, however, that no guarantee can be given on the availability of the various devices, or that their specifications may not be changed before the next edition is published.

Each part is reviewed regularly, revised and re-issued where necessary. Requests for copies of the Quick Reference Guide and individual data sheets (please quote the type number) should be sent to:-

Technical Publications Department, Philips Components Limited,
New Road, Mitcham, Surrey CR4 4XY. Telex 22194.

Prices and availability information for our products can be obtained from Mullard House, or from one of our Distributors listed on the back cover.

The Philips Components D

For the equipment designer, technical information on electronic components is vital. Philips Components market the widest range of components in the U.K., supported by a comprehensive information service – the Philips Components Data Base. Brief details are given here. For further information and an order form, please write to:-

The Technical Publications Department,
Philips Components Limited,
New Road, Mitcham,
Surrey, CR4 4XY.

Regular Publications

Philips Components News

A must for designers, this bimonthly, newspaper-style publication briefly describes new components and offers further information on subjects of interest.

Consumer Electronics

A review, in newspaper style. It contains articles and features of interest to those in the consumer electronics industry, with emphasis on television technology and allied subjects.

Technical Publications, Brochures, Leaflets and Catalogues

We publish hundreds of publications on components and their applications. Make sure your name is on the mailing list for Philips Components News, which describes and offers new publications.



Prestel too!

All our publications can be ordered directly via Prestel. The Philips Components Data Base begins on page 556201.

a Base

Electronic Components and Applications

A quarterly technical journal covering, in depth, developments in electronics based on the work of our laboratories. Please ask for a sample copy and subscription form.

Quick Reference Guide

All products marketed by Philips Components are listed alphanumerically and described briefly in our Quick Reference Guide.

Technical Data Service

This service provides detailed, up-to-date information on the characteristics and performance of our components. Subscribers to any or all of the four handbook sections receive all relevant handbooks, loose-leaf binders, monthly mailings of new data sheets, and new handbook parts as they are published. For those not wishing to subscribe to the Data Service, handbook parts can be purchased individually. Individual data sheets are available free-of-charge, and can be obtained by quoting the type number.

**Philips Components Data Base:
Prestel 556201**



PHILIPS

Philips Components technical handbook

Book 4 Integrated circuits

Book 4 consists of the following parts:

- Part 1 Radio, audio and associated systems:
bipolar, MOS
- Part 2 Television, video and associated systems:
bipolar, MOS
- Part 3 ICs for telecom:
Subscriber sets, Cordless telephones
- Part 4 CMOS logic 4000 series
- Part 5 High-speed CMOS logic HC/HCT family
- Part 5 Supplement High-speed CMOS Designer's
Guide and Applications Handbook
- Part IC05 Advanced Low-power Schottky (ALS) logic
series
- Part 6 Linear products
- Part 6 Supplement Linear products
- Part 7 Memories: MOS, TTL, ECL
- Part IC07 Advanced CMOS Logic (ACL)
- Part 8 TTL digital ICs
- Part 8a FAST TTL digital ICs
- Part 8a Supplement FAST TTL digital ICs
- Part 9a Microprocessors and peripherals
- Part 12 I²C-bus compatible ICs
- Part 13 ASIC Programmable Logic Devices (PLD)
- Part 14 Microcontrollers
- Part 17 ICs for telecom:
Radio pagers, Mobile telephones, ISDN
- Part 19 Data communication products